

## **Installation Instructions for 55010 & 55020 Dragster Scoop Mount**

Available for 4150, 4500 & Demon style carburetors.

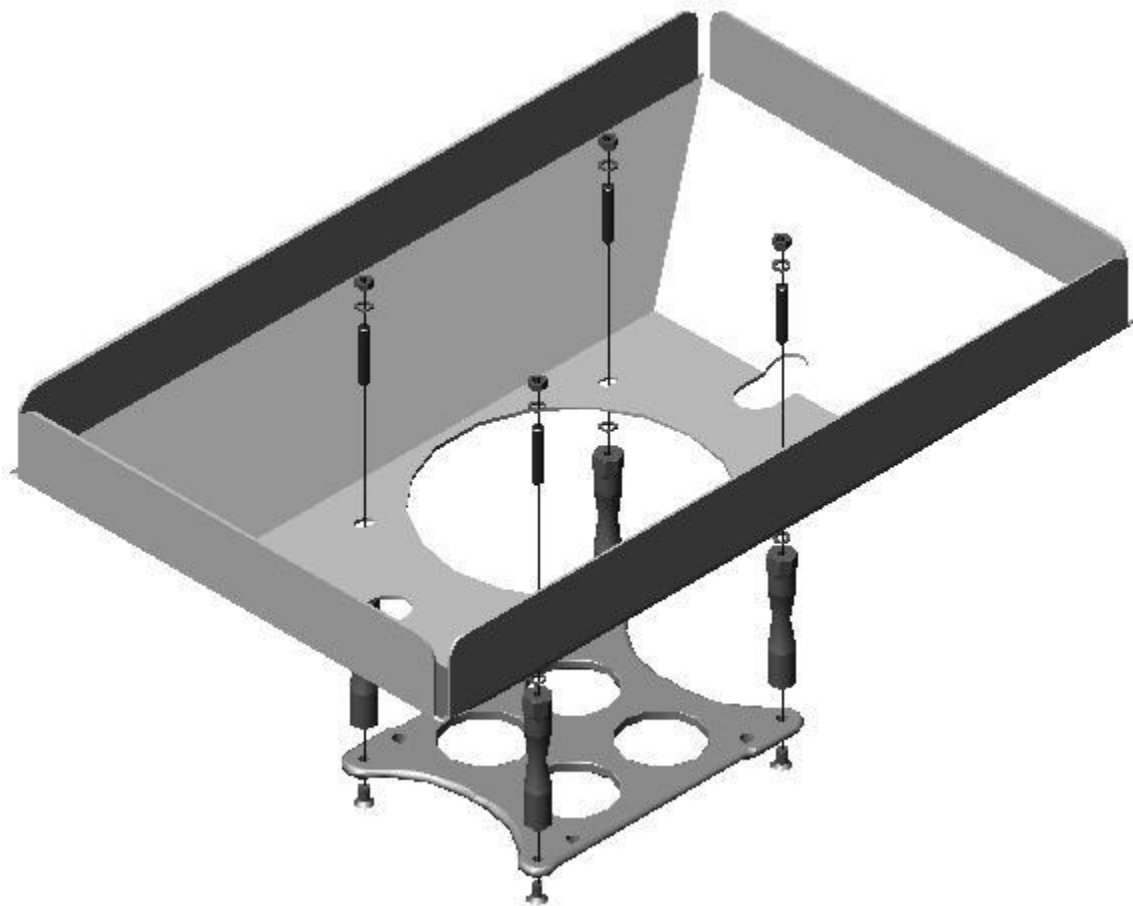
### **Installation Instructions:**

#### **Pre-assembly:**

1. Install one(1) 1-1/2" long set screw into the hex shaped end of each stand-off using Red Loctite thread locker.
2. Fasten the stand-off's to the adapter plate by using one(1) flat head screw each from the underside of the adapter plate. A Red Loctite applied to the threads is recommended.

#### **Assembly:**

1. Install 4-hole flange gasket over manifold stud bolts (Not Included).
2. Slide pre-assembled adapter plate over manifold stud bolts, followed by another 4-hole flange gasket (Not Included).
3. Install carburetor over manifold stud bolts. Tighten down in a criss cross pattern no tighter than 60 in-lbs. (Not Included).
4. Place air cleaner gasket onto carburetor (Not Included).
5. Place supplied 1/4" washer over stand-off set screw: (4150 = 1 each), (Road/Race Demon = 1 each), (4500 = 1 each) & (King Demon = 2 each).
6. Install scoop tray over stand-off set screws and center on carburetor.
7. Fasten scoop tray down using supplied 1/4" washers and Nylock Self-Locking nuts.



**1-800-345-4545 [jegs.com](http://jegs.com)**