

Installation Instructions for 64940 to 64948 & 64984 to 64992 Single Adjustable Coil-Over Shocks

TOOLS AND SUPPLIES REQUIRED

- Floor Jack
- Jack Stands
- Wrenches (SAE and/or Metric)
- Socket Set (SAE and/or Metric)
- Snap Ring Pliers
- Spanner Wrench Set
- Anti-Seize Lubricant

DO NOT VOID YOUR WARRANTY!

Anti-Seize Lubricant should be used on coil-over threads to prevent galling. Failure to lubricate the coil-over threads with Anti-Seize prior to making ride height adjustments will cause damage to your shock absorber and will void any warranty. All ride height adjustments must be made with the vehicle weight completely unloaded from the suspension. Please call JEGS Technical Support with any questions.

Coil-Over Shock Assembly

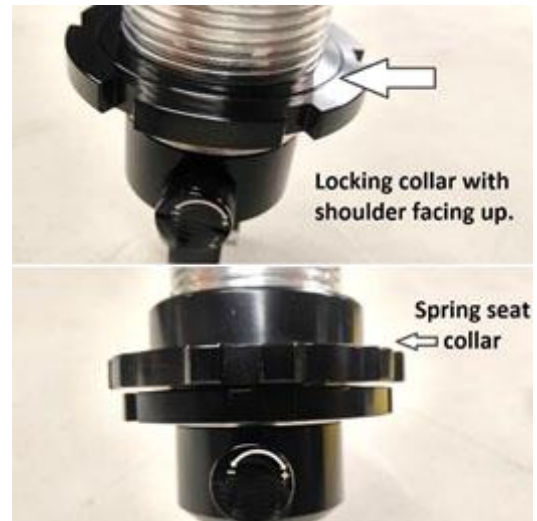
1. Thread the aluminum locking collar (shoulder up) onto the shock, followed by the spring seat collar (shoulder up) down to the bottom shock thread - NO FURTHER. Now is a good time to lubricate the threads of the shock with Anti-Seize lubricant.

2. JEGS highly recommends using an optional Thrust Bearing Kit for ease of adjustment. If the thrust bearing kit is used, coat both sides of the washers with Anti-Seize lubricant. Install the stainless steel spring seat washer, followed by the bearing and finally, the second washer. When complete, the thrust bearing kit will resemble a “needle bearing sandwich”. When using the thrust bearing kit the stainless steel washer that came with your shock will not be needed.

3. If the thrust bearing kit is not used, coat one side of the stainless steel spring seat washer that came with your shock with Anti-Seize lubricant. Place the lubricated side of the washer down on the spring seat.

4. Pull the piston rod out to its fully extended position. This will be easier with the shock adjustment knob(s) turned counter-clockwise to the softest setting. Slide the spring over the shock down to the spring seat adjuster and install the spring cap.

5. Once the spring and upper spring seat are in position, turn the spring seat collar up to take up any slack in the spring/seat in preparation for installation.



1-800-345-4545 jeps.com

NOTE:

The following shock and spring length combinations will use an alternative assembly procedure:

555-64942 7 in. springs
555-64984 9 in. springs
555-64940 & 555-64986 10 in. springs

- a) Loosen jam nut from upper shock eyelet and unscrew eyelet from the piston rod.
- b) With the spring seat collars threaded to the bottom of the shock install the spring and spring cap
- c) Re-install upper shock eyelet onto the piston rod
- d) Use 7/8 in. wrench under the top coil and spring cap to tighten the jam nut against the eyelet.

**Shocks with Spherical Bearing Mounts**

Using snap ring pliers, install a snap ring into one of the grooves in each shock eyelet followed by the spherical bearing and the other snap ring to secure. If pressing the bearing in, only press on the race of the bearing. Be sure both snap rings are seated before shock install.

READ ALL INSTRUCTIONS CAREFULLY AND THOROUGHLY PRIOR TO STARTING INSTALLATION. PRODUCTS THAT HAVE BEEN INSTALLED ARE NOT ELIGIBLE FOR RETURN. USE PROPER JACKING LOCATIONS. DEATH OR SERIOUS INJURY CAN RESULT IF INSTRUCTIONS ARE NOT CORRECTLY FOLLOWED. A QUALITY CHASSIS MANUAL, AVAILABLE AT YOUR LOCAL PARTS STORE, MAY ALSO AID IN YOUR INSTALLATION.



1-800-345-4545 jeps.com

Shock Part Number	Compressed Length	Extended Length	Recommended Ride Height	Recommended Spring Length
555-64942	8 3/4 in.	11 1/8 in.	9 1/2 in. – 10 in.	7 in.
555-64984	9 1/2 in.	12 3/4 in.	10 3/4 in. – 11 1/4 in.	7 in. 8 in. 9 in.
555-64940, 64986	10 1/8 in.	14 in.	11 1/2 in. – 12 1/2 in.	9 in.
555-64988	11 1/8 in.	15 in.	12 1/2 in. – 13 1/2 in.	10 in.
555-64944, 64990	11 5/8 in.	16 7/8 in.	14 in. – 15 in.	12 in.
555-64946, 64992	12 5/8 in.	18 3/4 in.	15 1/4 in. – 16 3/4 in.	14 in.
555-64948	13 in.	19 1/2 in.	16 in. – 17 1/2 in.	14 in.

Ride Height Adjustments-

Shock valving adjustments should be set at the softest setting until final ride height is set. Turn all adjustment knobs counter-clockwise (-) until the knob stops.

Make all ride height changes with the car off the ground and the suspension unloaded. Apply Anti-Seize lubricant before making any adjustments to the ride height. Once you have the ride height set, tighten the lock nut against the spring seat adjuster using a spanner wrench.

NOTE:

After each ride height adjustment, roll the vehicle a couple feet back and forth to unscrub the tires for an accurate measurement of your adjustment.

Note: A four wheel alignment should be performed by a qualified alignment shop after any changes to the suspension system.

Shock Valving Adjustments

JEGS shocks have 18 damping settings per knob. There are 6 clicks per revolution of each knob, and each knob has 3 complete revolutions. The knob set fully counter-clockwise is the softest setting - start your adjustments from that point.

Recommended base settings to begin testing with are as follows:

Front Shock Valving Adjustments

Drag Racing:	0-6 clicks
Nice ride and handling:	0-6 clicks
Firm ride & improved handling:	6-12 clicks
Aggressive handling:	13-18 clicks

Rear Shock Valving Adjustments

Drag Racing:	4-10 clicks
Nice ride and handling:	0-6 clicks
Firm ride & improved handling:	6-12 clicks
Aggressive handling:	13-18 clicks



1-800-345-4545 jeps.com