

INSTALLATION INSTRUCTIONS for JEGS 70611 HEATER

PREPARATION & MOUNTING

Position the heater and determine if clearance and mounting surfaces are adequate. Identify the engine coolant source and return connections, then plan routing of the (2) heater hoses such that they will not be damaged by sharp edges or abrasion. Mark locations to drill for the mounting studs and core tubes using the mounting template provided, then mount the heater.

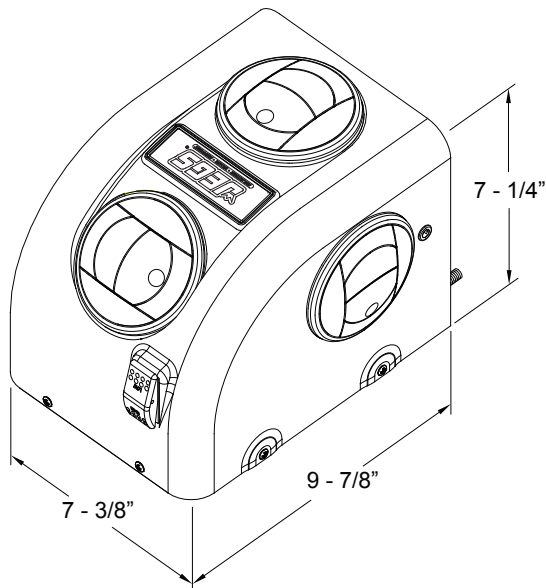
COOLANT CONNECTIONS

The vehicle cooling system should be cool and drained and rubber plugs/caps removed from inlet/outlet tubes on the core prior to heater connection. These heaters have one tube marked "inlet" which must be connected to the coolant source and not the return. Connecting heater inlet to the return line will reduce heat output as much as 25%. Plan routing of the wiring and 5/8" heater hoses so they will not be damaged by sharp edges or abrasions. When vehicle has come to normal operating temperature for the first time with heater installed, the cooling system will need to be "topped off" as air trapped during the installation will have escaped.

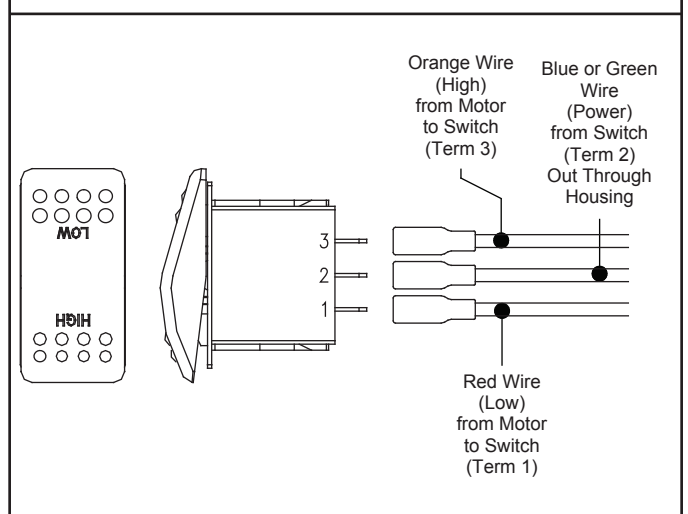
ELECTRICAL CONNECTIONS

The heater electrical circuit must be fused for safety, with the fuse placed as close to the vehicle's electrical connection as possible. The recommended fuse for 70611 is 7.5 amp. This heater is grounded thru both the shroud mounting screw and a separate ground wire which can be removed, if not required. 16 gage wire is the correct wire for all connections. The 2-speed fan of these heaters is controlled by a switch as illustrated.

OUTSIDE DIMENSIONS



SWITCH CONNECTIONS:

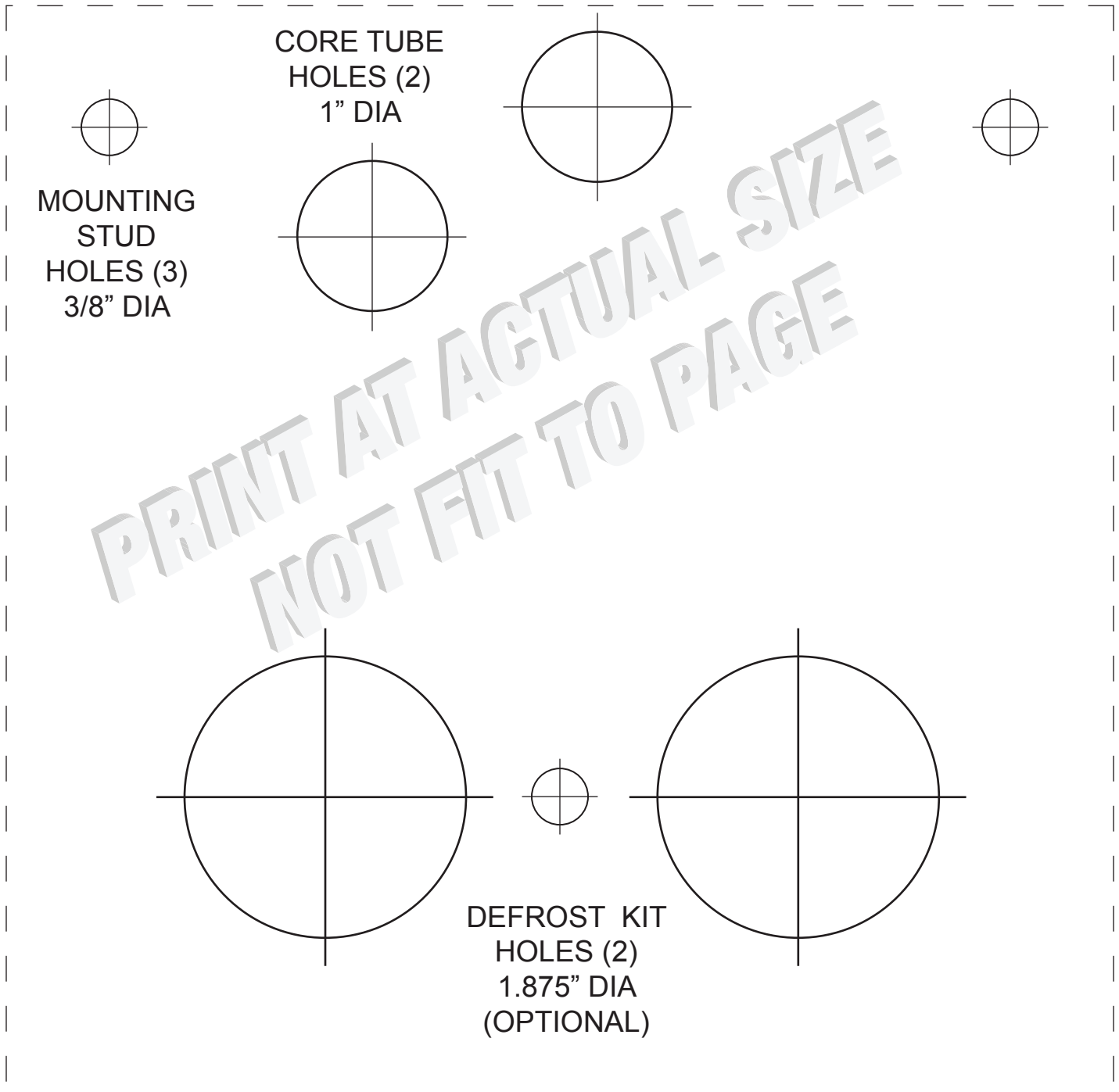


1-800-345-4545

JEGS.COM

MOUNTING TEMPLATE for JEGS 70611 HEATER

HOUSING OUTSIDE



1-800-345-4545

JEGS.COM