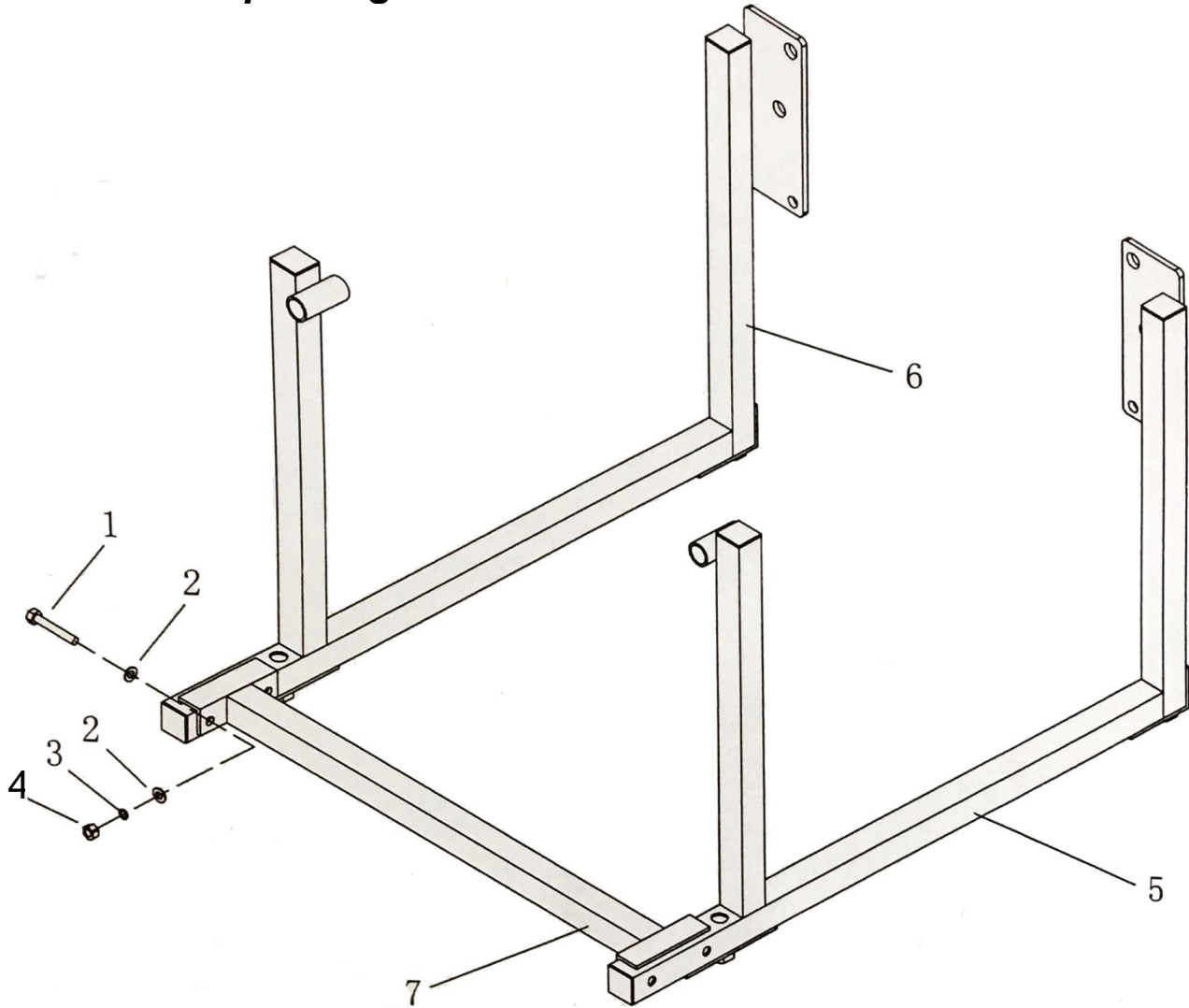


Installation Instructions for 800643 Small Block Mopar Engine Cradle



Part	Description	Qty
1	Bolt M6 x 40	4
2	M6 Washer	8
3	M6 Spring Washer	4
4	M6 Nut	4
5	Part 1	1
6	Part 2	1
7	Part 3	1
N/A	Bolt 3/8"-3/4"	2
N/A	3/8" Washer	2
N/A	Bolt 7/16"-2"	2
N/A	Bolt 7/16"-4"	2
N/A	7/16" Washer	4