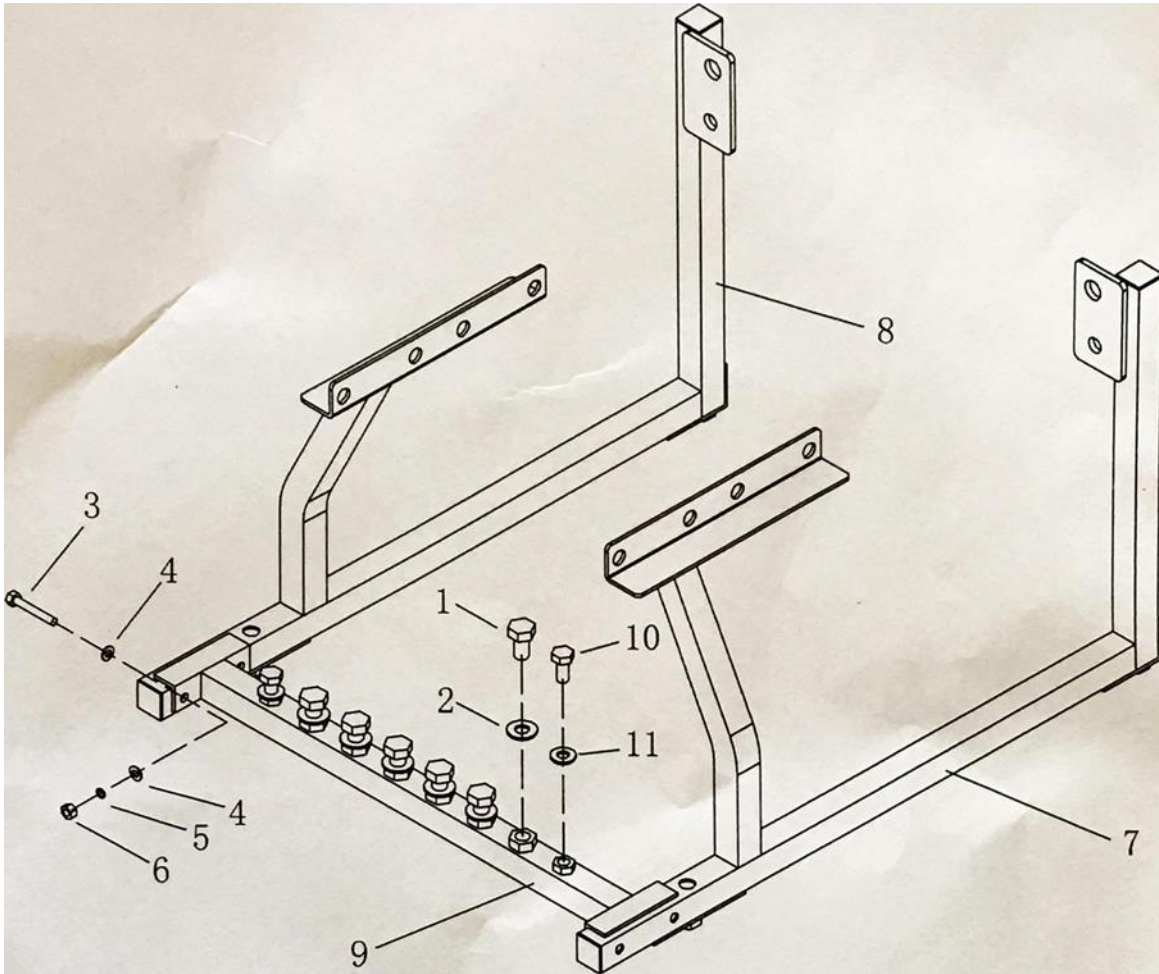


Installation Instructions for 800648 Pontiac Engine Cradle



Part	Description	Qty
1	Bolt 7/16"-3/4"	6
2	7/16" Washer	6
3	Bolt M6 x 40	4
4	M6 Washer	8
5	M6 Spring Washer	4
6	M6 Nut	4
7	Part 1	1
8	Part 2	1
9	Part 3	1
10	Bolt 3/8"-3/4"	2
11	3/8" Washer	2