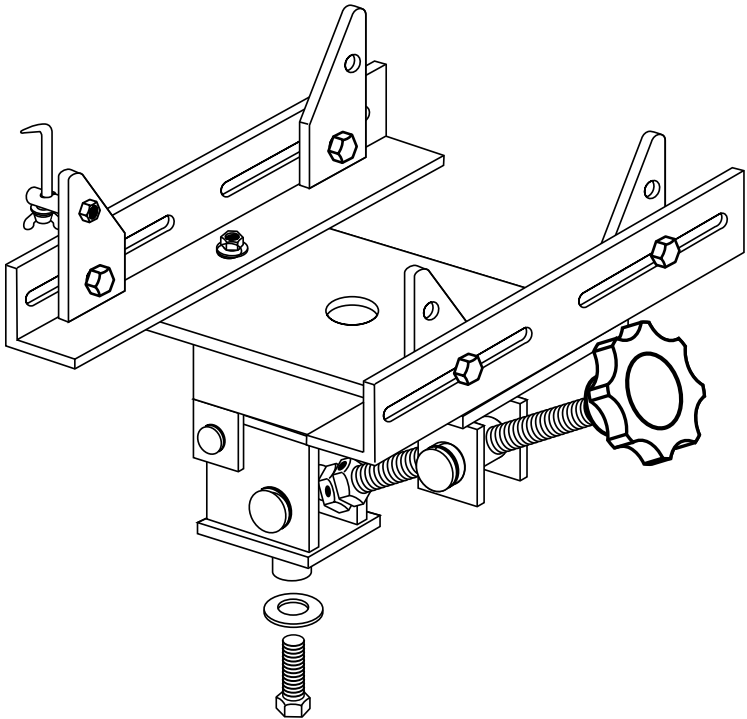


Transmission Adaptor

300 lb. Capacity

ÚæcNumber í í í ÆFI

OWNER'S MANUAL



FOR YOUR SAFETY,
please read these instructions carefully and retain them for future use.

IMPORTANT SAFETY INFORMATION

Read these safety warnings before operation.

WARNING!

Failure to read, understand and follow these warnings may result in loss of load, damage to unit, and/or failure of unit resulting in personal injury or property damage.

WARNING!

Use this transmission adaptor only for the removal and installation of passenger car and light duty truck transmissions. Do not overload beyond 300 lbs. Do not remove or install transmissions with transfer cases attached.

Jack must be in fully lowered position to move load.

Always secure transmission in place with safety chain.

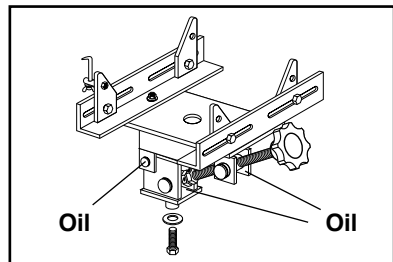
Use only with heavy frame service jack with removable saddle. (See example on back page) Read, understand and follow all warnings listed in jack instruction manual.

Vehicle must be properly supported before starting repair. Refer to vehicle owner's manual for proper jacking procedures.

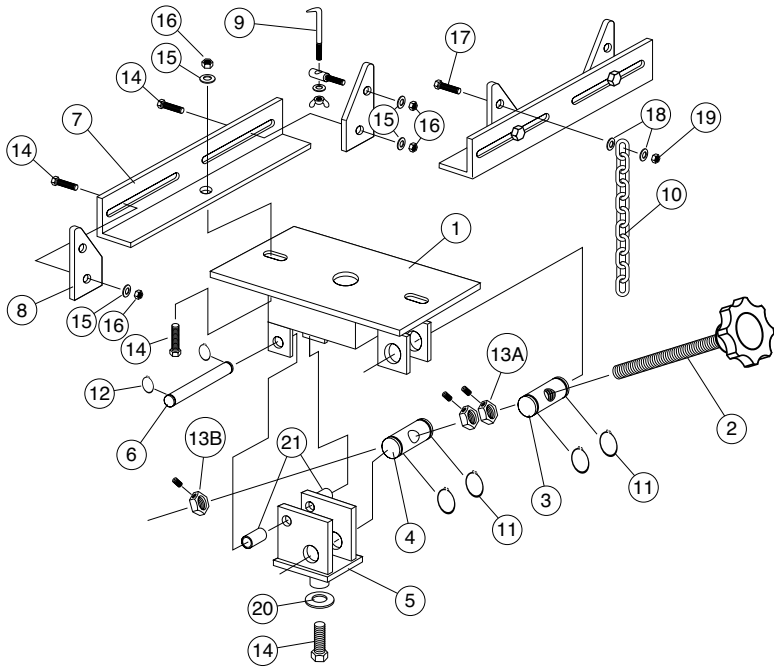
This unit is designed for use only on hard level surfaces capable of sustaining the load. Use of unit on other than hard level surfaces can result in instability and possible loss of load.

CARE & MAINTENANCE

1. Visual inspection must be made before each use of this unit, checking for cracks, cracked welds and missing and/or damaged parts. Any unit that appears to be damaged in any way must be removed from service immediately.
2. BECAUSE OF THE POTENTIAL HAZARDS ASSOCIATED WITH THE MISUSE OF EQUIPMENT OF THIS TYPE, NO MODIFICATIONS SHALL BE MADE TO THE PRODUCT.
3. Keep adaptor well lubricated at all points shown in drawing at right.
4. Replace worn or damaged parts with JEGS replacement parts. Be sure that only qualified personnel perform repairs.



Assembly Diagram



ASSEMBLY INSTRUCTIONS

1. Install Threaded Bushing (3), into holes in Platform (1) using Large Snap Rings (11) as shown.
2. Screw Adjustable Tilt Knob (2) through threaded bushing approximately half way.
3. Install 2 Lock Nuts (13A) approximately 3" from end of threaded shaft.
4. Install Non-Threaded Bushing (4) into holes in Pivot Frame (5) using Large Snap Rings (11) as shown.
5. Slide Non-Threaded Bushing over onto threaded shaft and install remaining Lock Nut (13B).
6. Connect Platform (1) to Pivot Frame (5) using Pivot Pin (6), Small Snap Rings (12) and Spacers (21) as shown.
7. Bolt on Mounting Bracket Frames (7) and Mounting Brackets (8).
8. Install Chain Hook Assembly (9) and Safety Chain (10) as shown.
9. Install Assembled Adaptor onto Service Jack Saddle Frame securing with Bolt (14) and Washer (20).

Example of
heavy frame
service jack



Parts List

Part #	Description	Qty.	Part #	Description	Qty.
1	Platform	1	12	Small Snap Ring	2
2	Adjustable Tilt Knob	1	13	Lock Nut with Set Screw	3
3	Threaded Bushing	1	14	M10 x 25 Bolt	7
4	Non-Threaded Bushing	1	15	M10 Washer	7
5	Pivot Frame	1	16	M10 Nut	7
6	Pivot Pin	1	17	M8 x 25 Bolt	1
7	Mounting Bracket Frame	2	18	M8 Washer	2
8	Mounting Bracket	4	19	M8 Nut	1
9	Chain Hook Assembly	1	20	Large Retaining Washer	1
10	Safety Chain	1	21	Spacer	2
11	Large Snap Ring	4			