

# Installation Instructions for 80388

## Tire Stand

In order to prevent accidents from happening, please read all the notices and application methods before operation.

Please keep the instruction book and receipt it covers the safe operation of this product, assembly method and component confirmation, application method confirmation, maintenance methods and storage method.

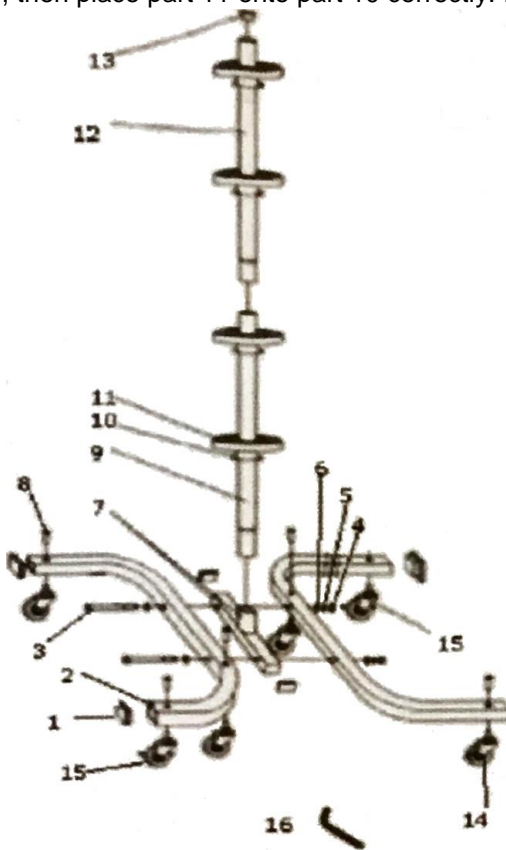
### Please read the following:

It might cause serious accidents if you do not follow instructions.

1. Please make sure that it is assembled in a clean and well-lit environment.
2. Please make sure there are no kids around, which might interfere with the work and may also be dangerous.
3. In assembling, please do not have loose hair, clothing or jewelry.
4. Please do not assemble with improper posture.
5. Please use safety equipment when assembling.
6. Please do not use improperly, do not exceed the estimated load range.
7. Please put this product where the kids cannot reach.
8. Please use the attached accessories only, as use of other accessories may cause serious accidents.
9. Please do not remove any labels, they show important information, which should be kept.
10. Please ensure the environment is safe and the space for using this product, do not use it in places with serious moisture and damp floor.
11. The loaded weight should not exceed 275.6 lbs.
12. Please pay attention when in use, it might be blown down by strong wind.
13. Please make sure to store it in a safe place such as garage.

### Assembly Method

1. Assemble six wheels with part 16. Pay attention to part 15 with locked wheels.
2. Insert part 9 into part 7.
3. Insert part 12 into part 9.
4. Insert part 10 into the hole of part 9, then place part 11 onto part 10 correctly. Please install the other three parts with the same procedures.



No	Part Name	Qty
1	Plastic plug	6
2	U-tube	2
3	Hex Bolts	2
4	Screw nut	2
5	Washer	2
6	Flat washer	4
7	Base	1
8	Screw nut	6
9	Support tube	1
10	Pin	4
11	Plastic tray	4
12	Support tube	1
13	Plastic plug	1
14	Wheel	4
15	Wheel	2
16	Wrench	1

**Application method**

1. Please put it in a level place. When installing the #11 tire tray and #10 plug pin
2. Please install the other three tires with the same procedures.
3. The maximum weight should not exceed 275.6 lbs.
4. Please wipe with only a wet cloth, do not use chemicals or cleaning agents, which might cause damage to the tires and stand.
5. Please make an overall inspection before each application. Be sure there are not any loose screws and bolts, inner pipe bending, or damaged parts. Please check once again to secure the application, if there is damage, do not use it.
6. Please make sure to read the following before use.
7. The producer and seller are not responsible for the accidents caused by the consumer's unauthorized repair, and the consumer is responsible for the unauthorized configuration.

**Product specifications:**

Maximum load: 125KG (4 tires)

Size: Vertical 21"/Horizontal 20"/height 42"

Weight: 10 lbs.



**1-800-345-4545 [jeps.com](http://jeps.com)**