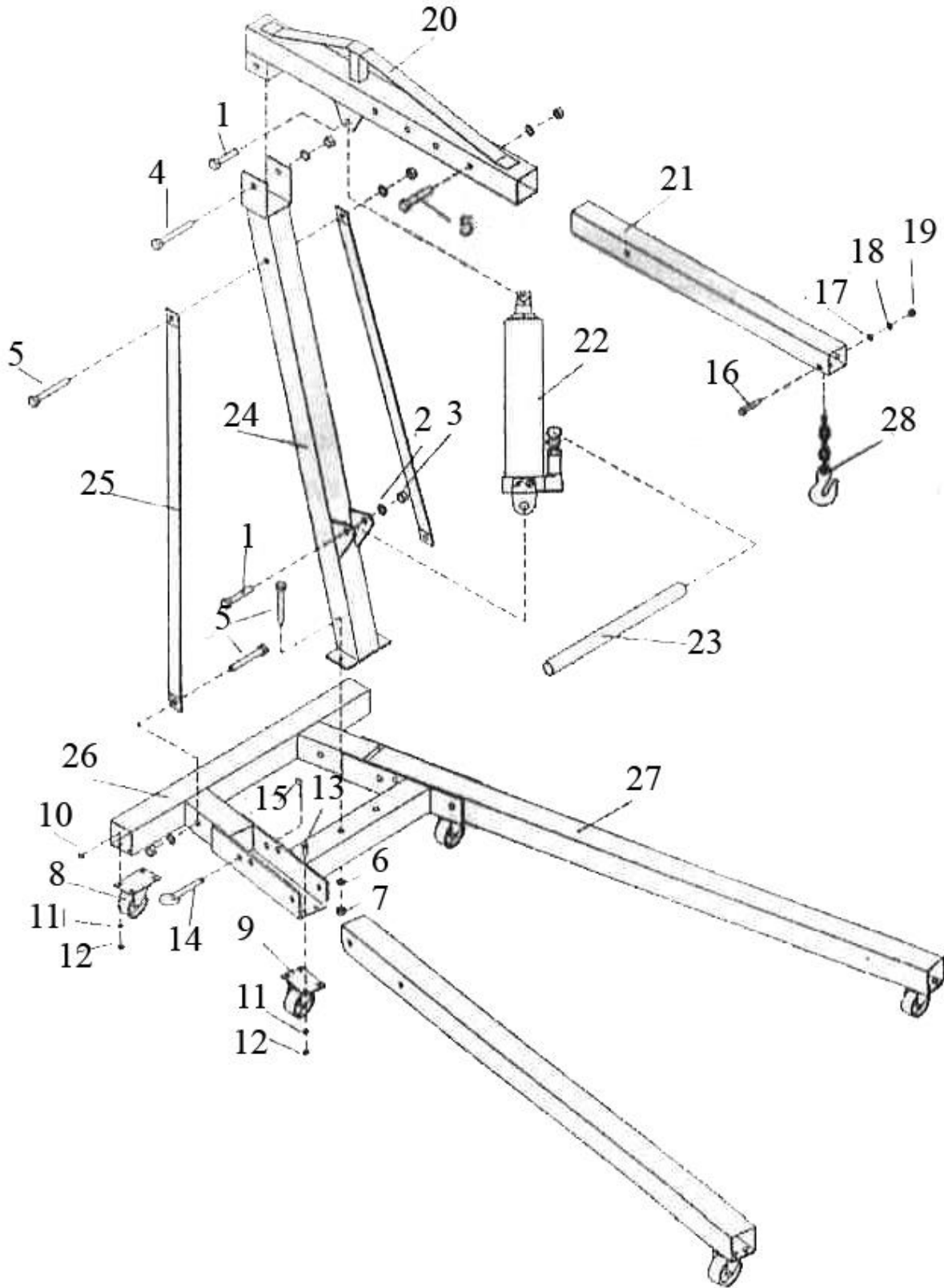


# Installation Instructions for 81044K 1-Ton Engine Hoist



<b>Part</b>	<b>Description</b>	<b>Qty</b>
<b>1</b>	Bolt M16X90	<b>2</b>
<b>2</b>	Ø16 washer	<b>3</b>
<b>3</b>	M16 nut	<b>3</b>
<b>4</b>	Bolt M16X110	<b>1</b>
<b>5</b>	Bolt M14XI00	<b>6</b>
<b>6</b>	Ø14 washer	<b>6</b>
<b>7</b>	M14 nut	<b>6</b>
<b>8</b>	3-1/2" wheel	<b>4</b>
<b>9</b>	3" wheel	<b>2</b>
<b>10</b>	Bolt M8X16	<b>16</b>
<b>11</b>	Ø8 Spring washer	<b>24</b>
<b>12</b>	M8 nut	<b>24</b>
<b>13</b>	Bolt M8X18	<b>8</b>
<b>14</b>	Pin	<b>4</b>
<b>15</b>	R pin	<b>4</b>
<b>16</b>	Bolt M12X80	<b>1</b>
<b>17</b>	Ø12 washer	<b>1</b>
<b>18</b>	Ø12 Spring washer	<b>1</b>
<b>19</b>	M12 nut	<b>1</b>
<b>20</b>	Boom	<b>1</b>
<b>21</b>	Boom extension	<b>1</b>
<b>22</b>	Jack	<b>1</b>
<b>23</b>	Jack Handle	<b>1</b>
<b>24</b>	Post	<b>1</b>
<b>25</b>	Support	<b>2</b>
<b>26</b>	Base	<b>1</b>
<b>27</b>	Leg	<b>2</b>
<b>28</b>	Chain	<b>1</b>

## General Safety Rules

**WARNING:** When using the tool basic safety precautions should always be followed to reduce the risk of personal injury and damage to equipment!

- **Work area conditions.** Cluttered areas invite injuries.
- **Additional work area conditions.** Do not use machines or power tools in damp or wet locations. Do not expose to rain. Keep work area well lit.
- **Keep children away.** Children must never be allowed in the work area. Do not let them handle machines tools or extension cords.
- **Store idle equipment.** When not in use tools must be stored in a dry location to inhibit rust. Always lock up tools and keep them out of the reach of children.
- **Use the right tool for the job.** Do not attempt to force a small tool or attachment to do the work of a larger industrial tool. There are certain applications for which this tool was designed. It will do the job better and safer at the rate for which it was intended. Do not modify this tool and do not use this tool for a purpose for which it was not intended.
- **Dress properly.** Do not wear loose clothing or jewelry as they can get caught in moving parts. Protective, electrically non-conductive clothing and non-skid footwear are recommended when working. Wear restrictive hair covering to contain long hair.
- **Use eye protection.** Always wear ANSI approved impact safety glasses underneath a full face shield during use. Also wear heavy duty work gloves.
- **Do not over reach.** Keep proper footing and balance at all times. Do not reach over or across running machines.
- **Maintain tools with care.** Keep tools sharp and clean for better and safer performance. Follow instructions for lubricating and changing accessories. The handles must be kept clean, dry and free from oil and grease at all times.
- **Remove adjusting keys and wrenches.** Check that keys and adjusting wrenches are removed from the tool or machine work surface before starting work.
- **Stay alert.** Watch what you are doing. Use common sense. Do not operate any tool when you are tired.
- **Check for damaged parts.** Before using any tool, any parts that appear damaged should be carefully checked to determine that it will operate properly and perform its intended function. Any part that is damaged should be replaced.
- **Replacement parts and accessories.** When servicing use only identical replacement parts. Use of any other parts will void the warranty. Only use accessories intended for use with this tool.
- **Do not operate tools if under the influence of alcohol or drugs.** Read warning labels on prescriptions to determine if your judgment or reflexes are impaired while taking drugs.

**WARNING:** The warnings, cautions, and instructions discussed in this instruction manual cannot cover all possible conditions and situations that may occur. It must be understood by the operator that common sense and caution are factors which cannot be built into this product, but must be supplied by the operator.



1-800-345-4545 [jeps.com](http://jeps.com)