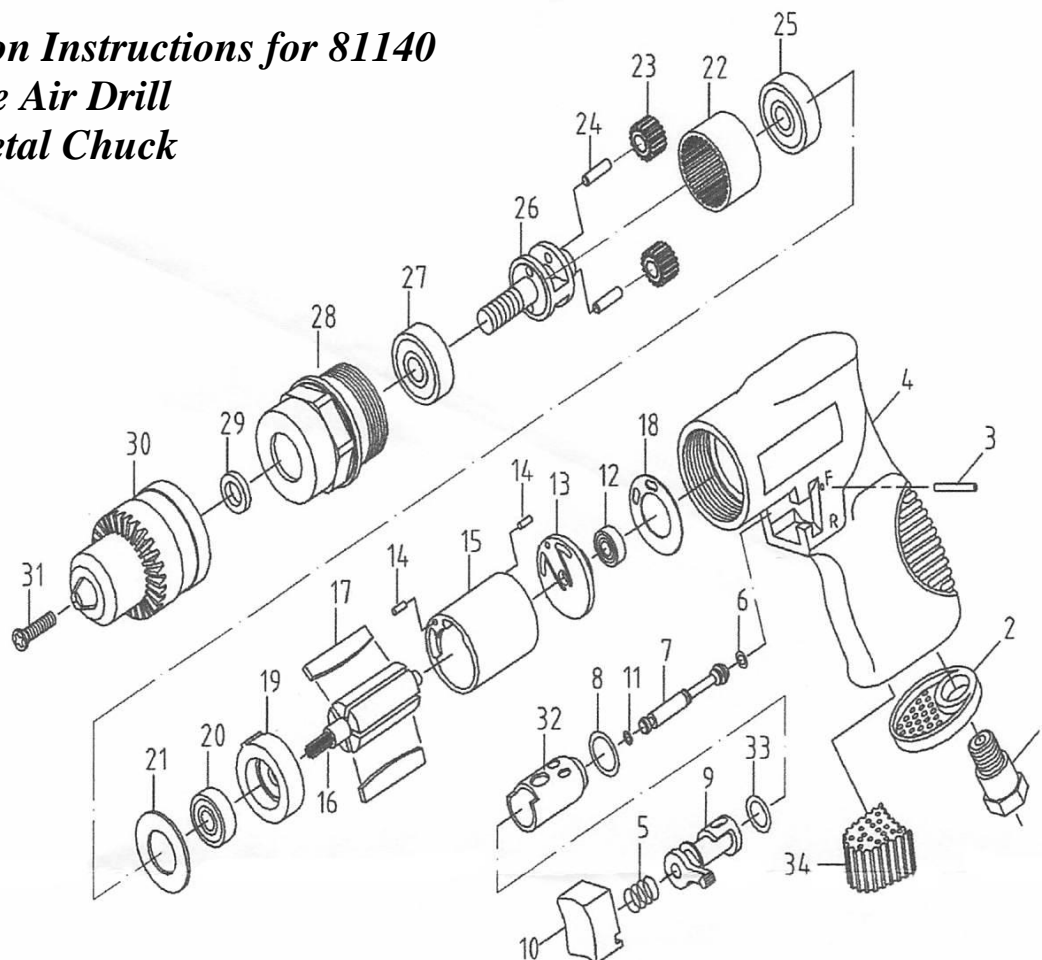


# Installation Instructions for 81140 Reversible Air Drill 1/2 in. Metal Chuck



NO	PARTS NO	DESCRIPTION	Q'TY	NO	PARTS NO	DESCRIPTION	Q'TY
01	20301	AIR INLET	1	18	21638	PACKING	1
02	20302	EXHAUST SLEEVE	1	19	ST21319A	FRONT PLATE	1
03	20303	PIN(2.5*24)	1	20	21024	BEARING (608ZZ)	1
04	ST21304ARK	HOUSING	1	21	21321	WASHER	1
05	20305	SPRING	1	22	21322	GEAR LINK	1
06	20306	O-RING	1	23	24527.1	GEAR	2
07	20307	VALVE STEM	1	24	70028	PIN	2
08	ST25103	O-RING	1	25	OB-31	BEARING (6001Z)	1
09	DL20309	REVERSE LEVER	1	26	21326A	GEAR PLATE	1
10	20310	TRIGGER	1	27	24531A	BEARING (6200ZZ)	1
11	OB-04	O-RING	1	28	ST21328	CLAMP NUT	1
12	20312	BEARING (696ZZ)	1	29	21329	WASHER	1
13	ST21313A	REAR PLATE	1	30	20330-1	1/2"CHUCK	1
14	70018	PIN(2.5*6)	2	31	21331	CHUCK SCREW	1
15	ST21315A	CYLINDER	1	32	21332-1A	BUSHING	1
16	21316	ROTOR	1	33	50331	O-RING	1
17	21317	ROTOR BLADE	5	34	21304.2	MUFFLER	1

WE RESERVE THE RIGHT FOR ANY DESIGNING CHANGES TO THE PARTS AND WITHOUT ANY NOTICEMENT IN ADVANCE.



1-800-345-4545 [jeps.com](http://jeps.com)