

# **Installation Instructions for 81156 Creeper Seat & Step Stool Combo**

**300 lb. Capacity**

## **SAFETY AND GENERAL INFORMATION**

Save these instructions. For your safety, read, understand, and follow the information provided with and on this device before using. The owner and/or operator shall have an understanding of the device, its operating characteristics and safety operating instructions before operating the equipment. The owner and/or operator shall be aware that use and repair of this product may require special skills and knowledge. Instructions and safety information shall be read to and discussed with the operator in the operator's native language, making sure that the operator comprehends their contents, before use of this equipment is authorized. If any doubt exists as to the safe and proper use of this device, remove from service immediately.

Inspect before each use. Do not use if abnormal conditions such as cracked welds, damaged, loose or missing parts are noted. Any equipment that appears damaged in any way, is found to be worn, or operates abnormally shall be removed from service until repaired. If the equipment has been or is suspected to have been subjected to an abnormal load or shock, immediately discontinue use until inspected by a factory authorized repair facility (contact distributor or manufacturer for list of authorized repair facilities). It is recommended that an annual inspection be made by an authorized repair facility. Labels and Operator's Manuals are available from the manufacturer.

## **PRODUCT DESCRIPTION**

This device is a 2-in-1 creeper seat and step stool. When used as a creeper seat, it will support and move rated capacity loads consisting of a single person weighing no more than 300 lbs. In the step stool position, this device will support a rated capacity load. This device is not intended, designed or engineered to be used for any other purpose.

**Rated Capacity:** One person including any tools and equipment weighing 300lbs. or less.

## **SPECIFICATIONS**

Model	Rated Capacity	Seat Size	Step Size
81156	300 lbs.	14" x 9-1/2"	14" X 9"

**WARNING:** Do not use this device for any purpose other than that for which it is expressly intended.

## **PREPARATION/ASSEMBLY**

Before assembling your Creeper, make sure all parts are present. If any part is missing or damaged, do not attempt to assemble or use the product. Contact JEGS customer service for replacement parts.

## **WARNING**

- Read, understand, and follow all instructions before using this device.
- Never use a creeper/step stool that is damaged.
- Clean any mud, grease, oil or slippery liquids before using creeper/step stool.
- Do not exceed rated capacity. Rated capacity is 300 lbs. (includes user, tools, and equipment).
- Sit down gently. Avoid shock loads caused by jumping or falling on seat.
- Do not stand on seat.
- When used as a step stool, device must be on firm, level surface with all four legs contacting ground.
- Make sure step stool is appropriate height for intended purpose. Do not overreach.
- Only one person shall use step stool at a time.
- Keep out of the reach of children. This device is not appropriate for children's use.
- Use on smooth, level surfaces only.

## **MAINTENANCE**

Wipe clean as needed. Use mild upholstery cleaner (not caustic) to clean seat as needed.

**CAUTION:** Do not lubricate casters.



**1-800-345-4545 [jegs.com](http://jegs.com)**

Package Contents: (1) Seat Pad Section, (2) U-brackets; (1) Caster Frame Section, (1) Tool Tray, (2) Side Frame Sections, (5) Casters, assorted hardware.

1. Place creeper seat face down, and using one M6 nut and one washer each, attach the U-brackets as shown in figure 1.

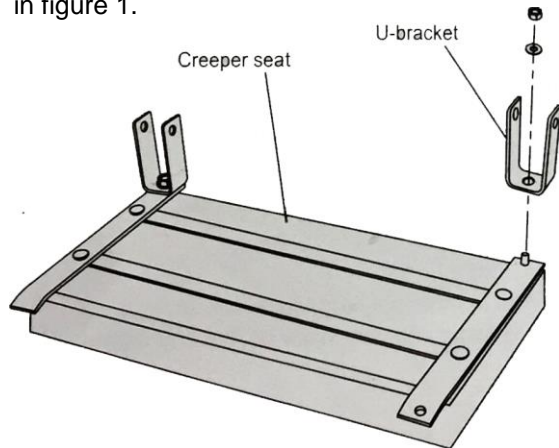


Figure 1- Attaching U-Brackets

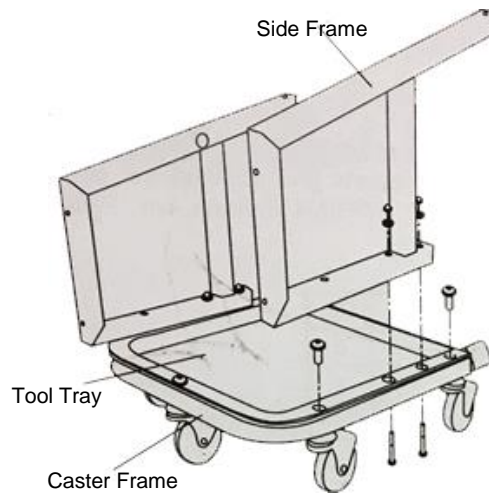


Figure 2- Assembling tool tray and casters

2. Assemble tool tray and five casters to caster frame using Allen head binding barrels. Then attach two creeper side frames to caster frame with two M8 x 60 hex head bolts, two washers and two acorn nuts each (Fig 2).

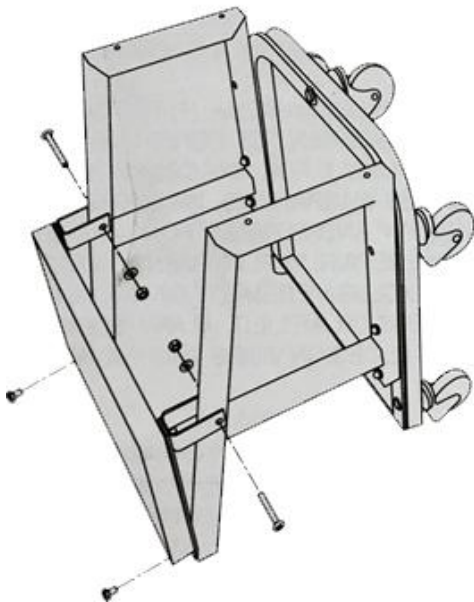


Figure 3- Attaching Creeper Seat Figure

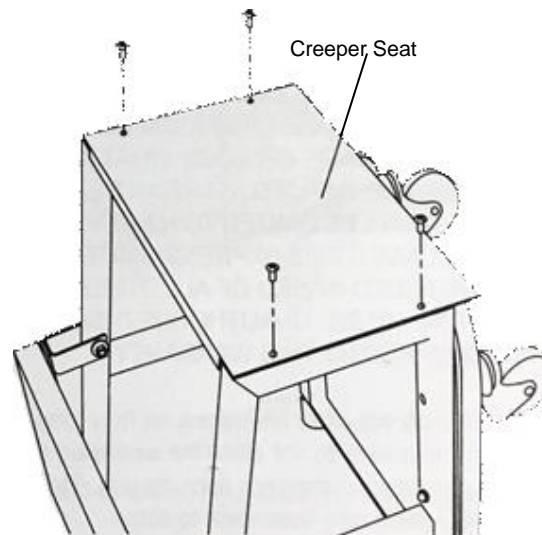


Figure 4- Attaching Step to Side Frames

3. Attach creeper seat to creeper side frames using two M6 x 40 Phillips head screws, with washers, and nuts, and two M6 x 14 Phillips head screws as in Figure 3.

4. Fasten creeper step to side frames using four M6 x 16 Phillips head screws (Fig. 4).