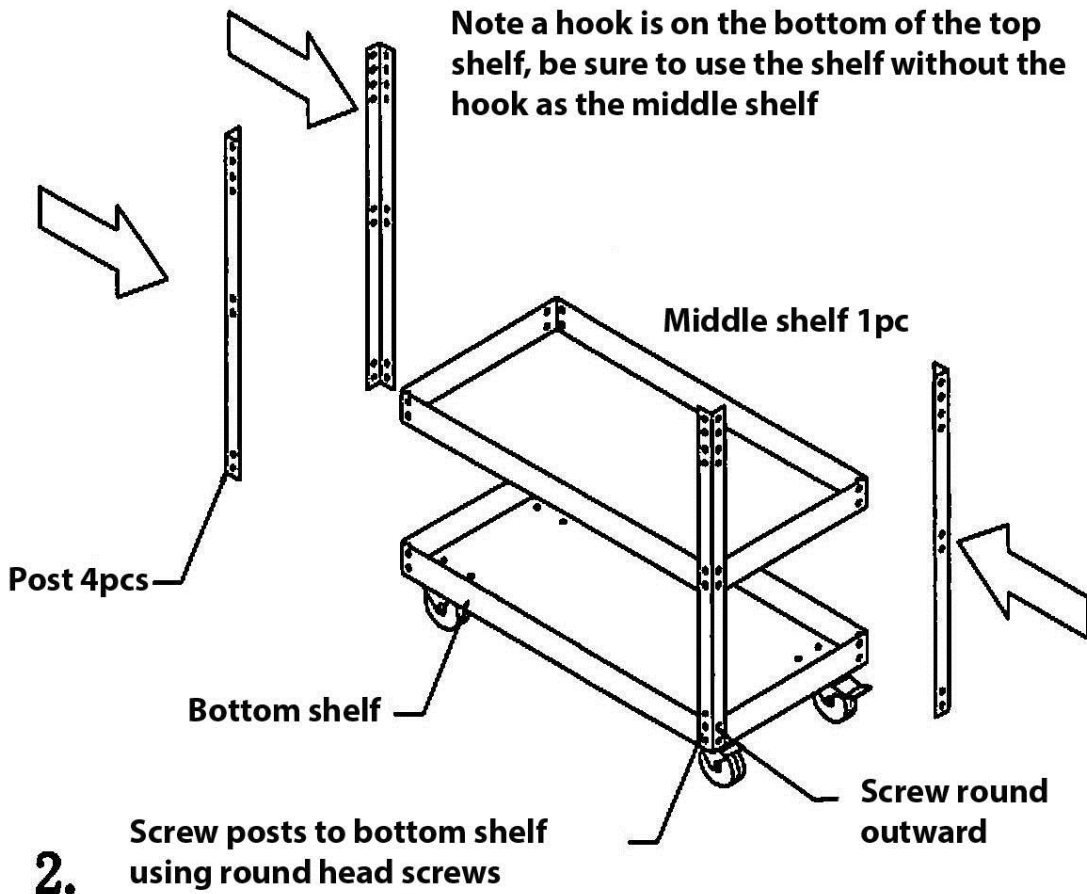
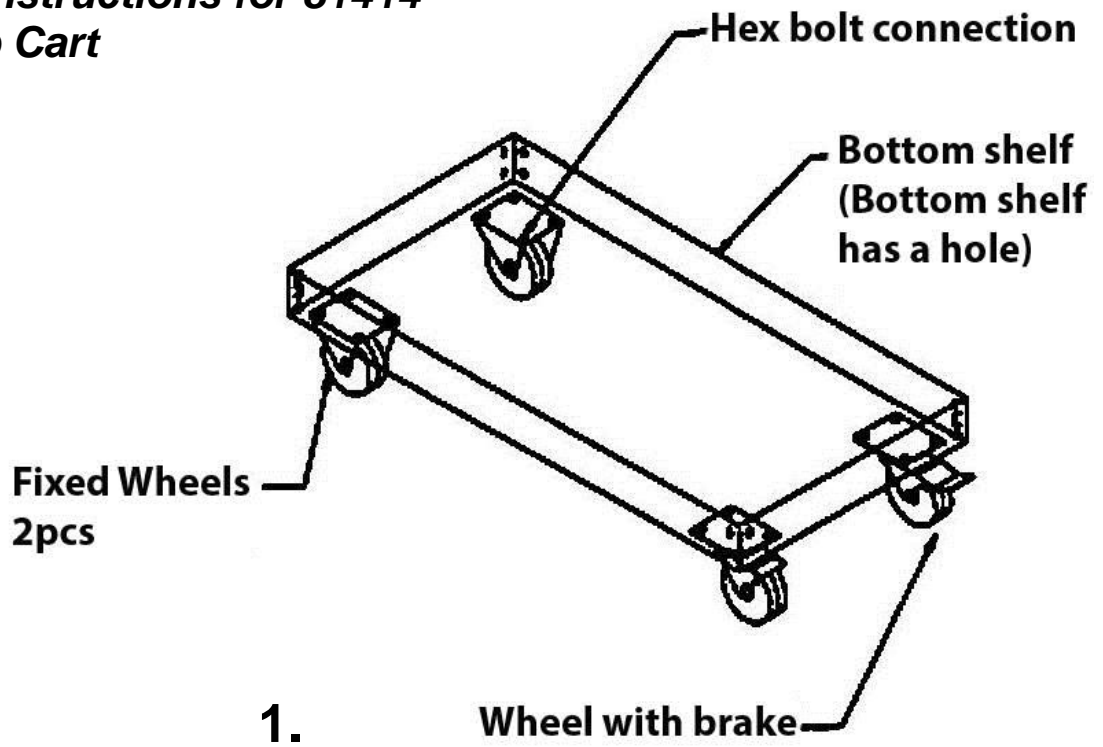


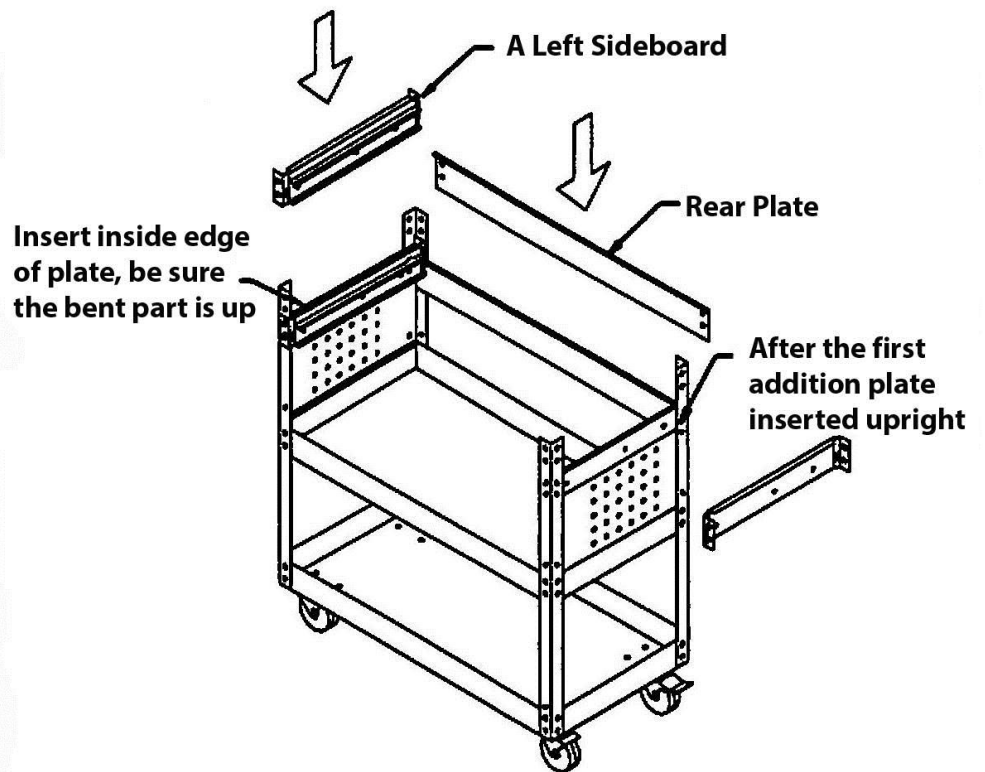
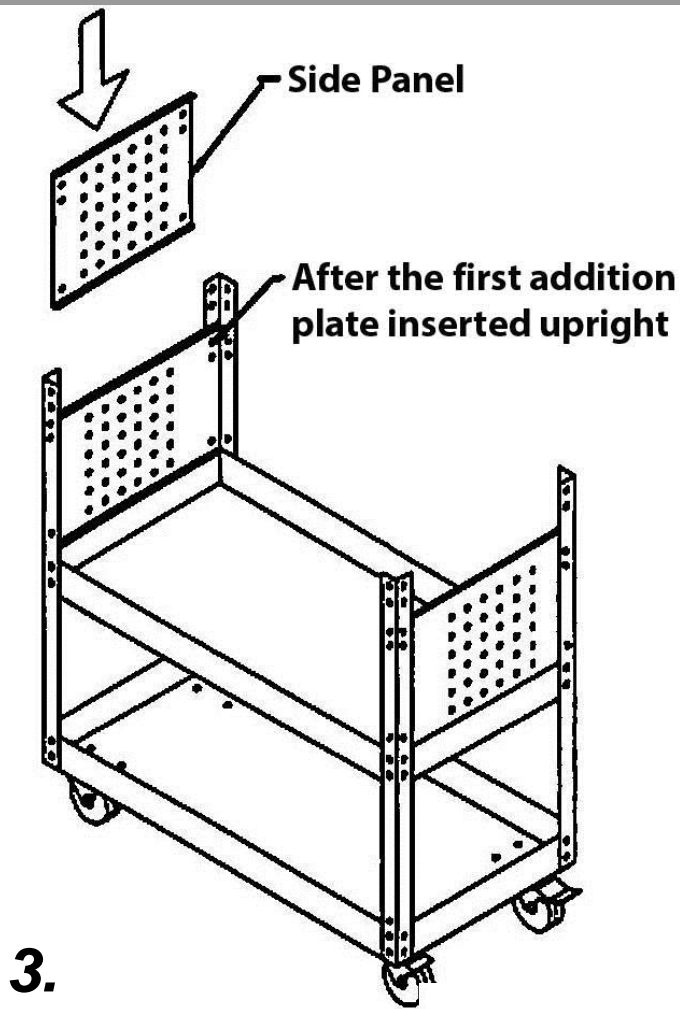
Installation Instructions for 81414

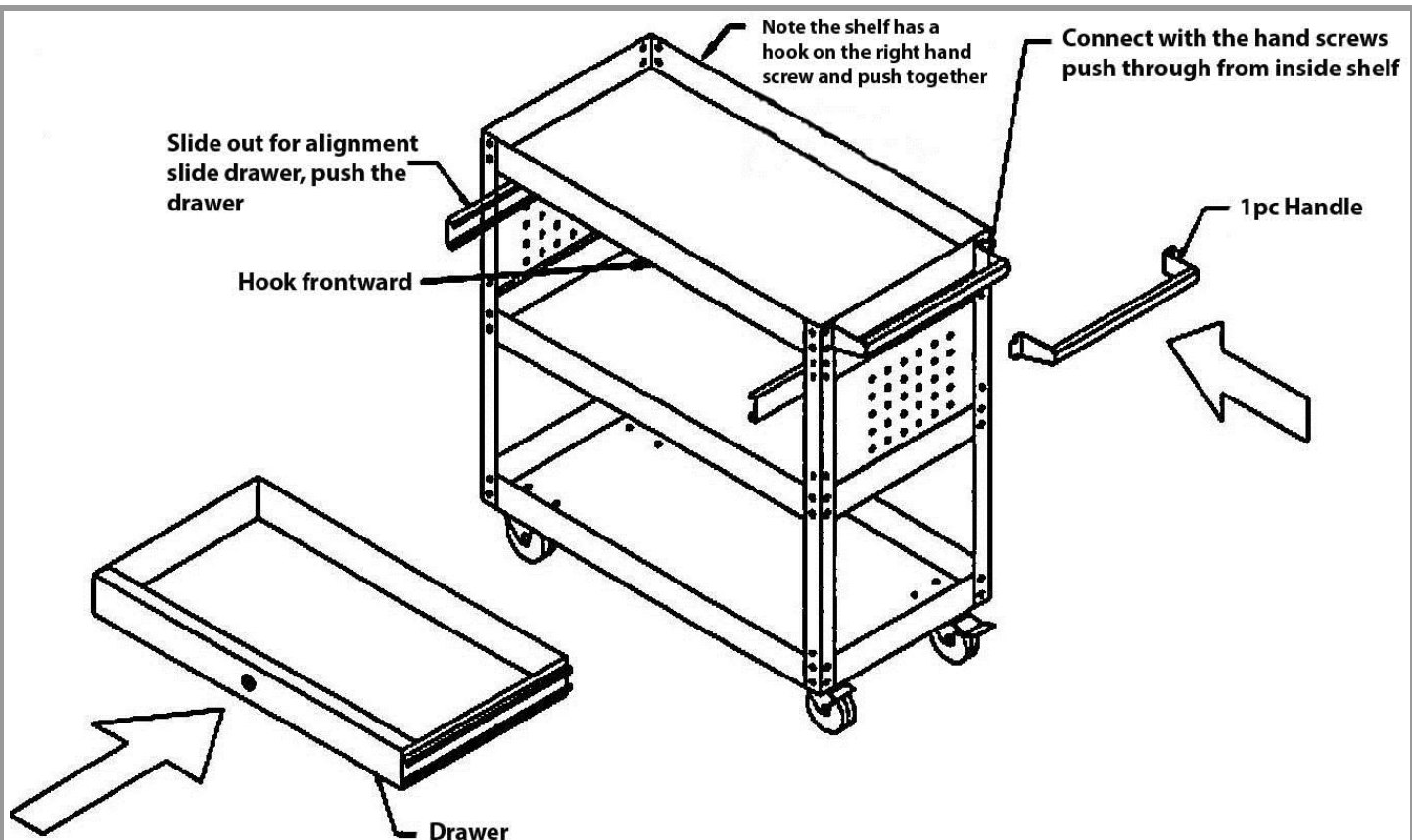
3-Shelf Shop Cart

200 lb. Capacity

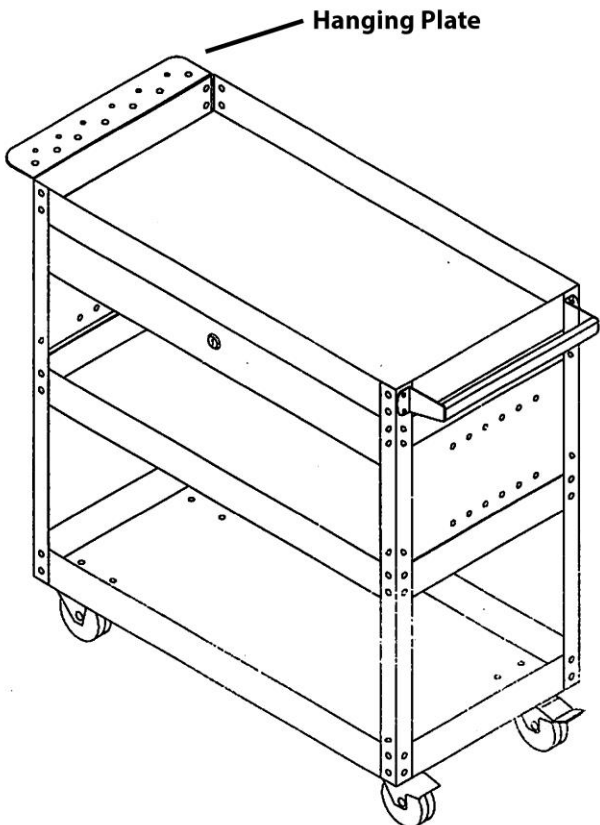


1-800-345-4545 jeps.com





5.

















Assembly:

- 1. First attach casters to the bottom of the bottom shelf with caster hole, be sure locking casters are installed on the same end of the shelf and fixed casters are installed on the other side.**
- 2. Using hex bolts attach columns (posts/pillar) to the middle and bottom shelves using a round head screw connection; the difference between the top and middle shelf is a hook on the bottom of the top shelf.**
- 3. Install the left and right panels according to the figure.**
- 4. Attach left and right panels and rear plate, note the installation order and direction of the side plate as shown in the figure.**
- 5. Install the upper shelf with the hook frontward.**
- 6. Install handle, drawer and hanging plate to complete the assembly.**

Note: When installing the drawer pull out the rails for proper alignment.



1-800-345-4545 jeps.com

Parts	Part name	Quantity
	pillar	4
	hanging wall	2
	chassis	1
	drawer	1
	Side panels	2
	handle	1
	A left sideboard	2
	Rear plate	1
	Wheel with brake	1
	rotating rubble wheel	1
	Fixed wheels	2
	M6 Philip's head screw	48
	M8 Hexagon	16
	Hanging plate	1