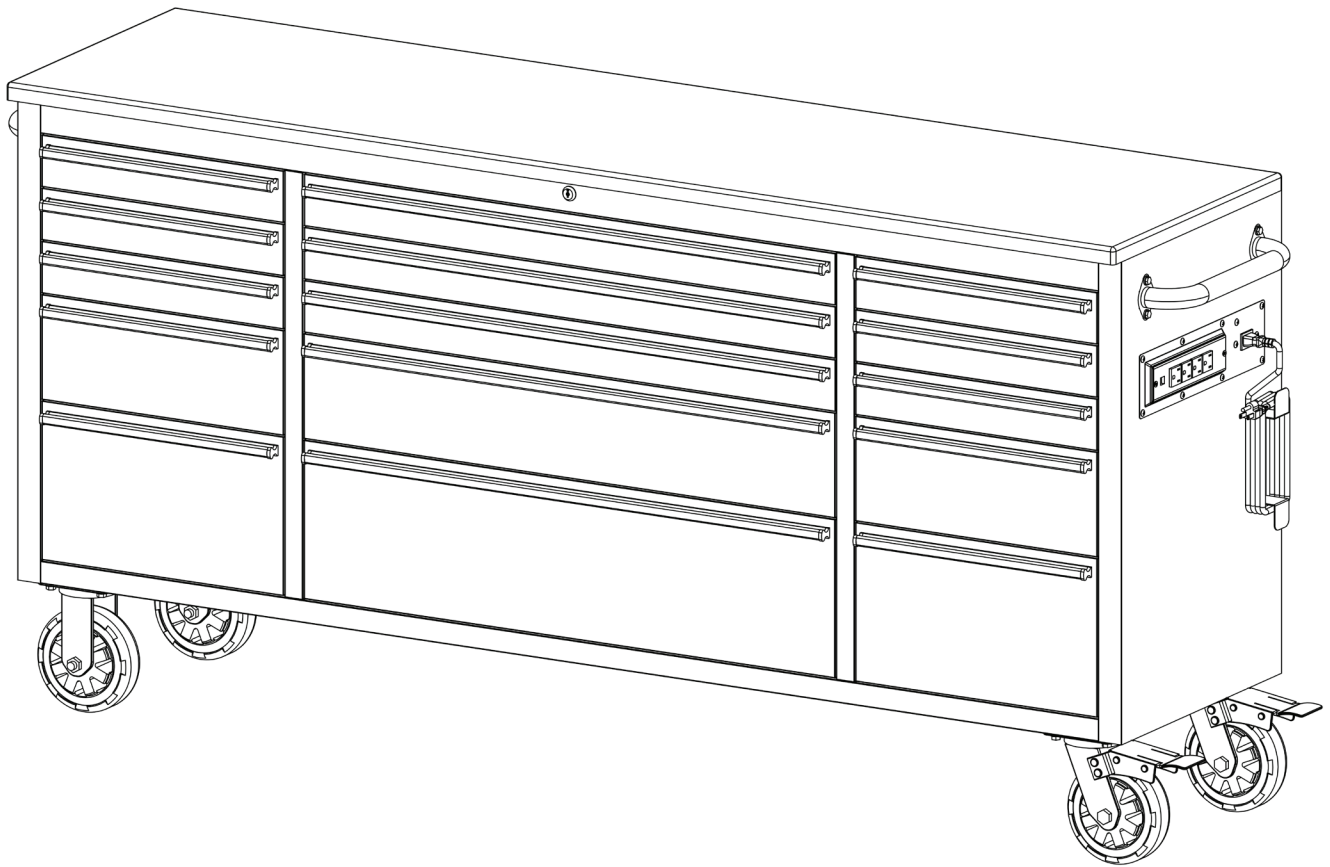


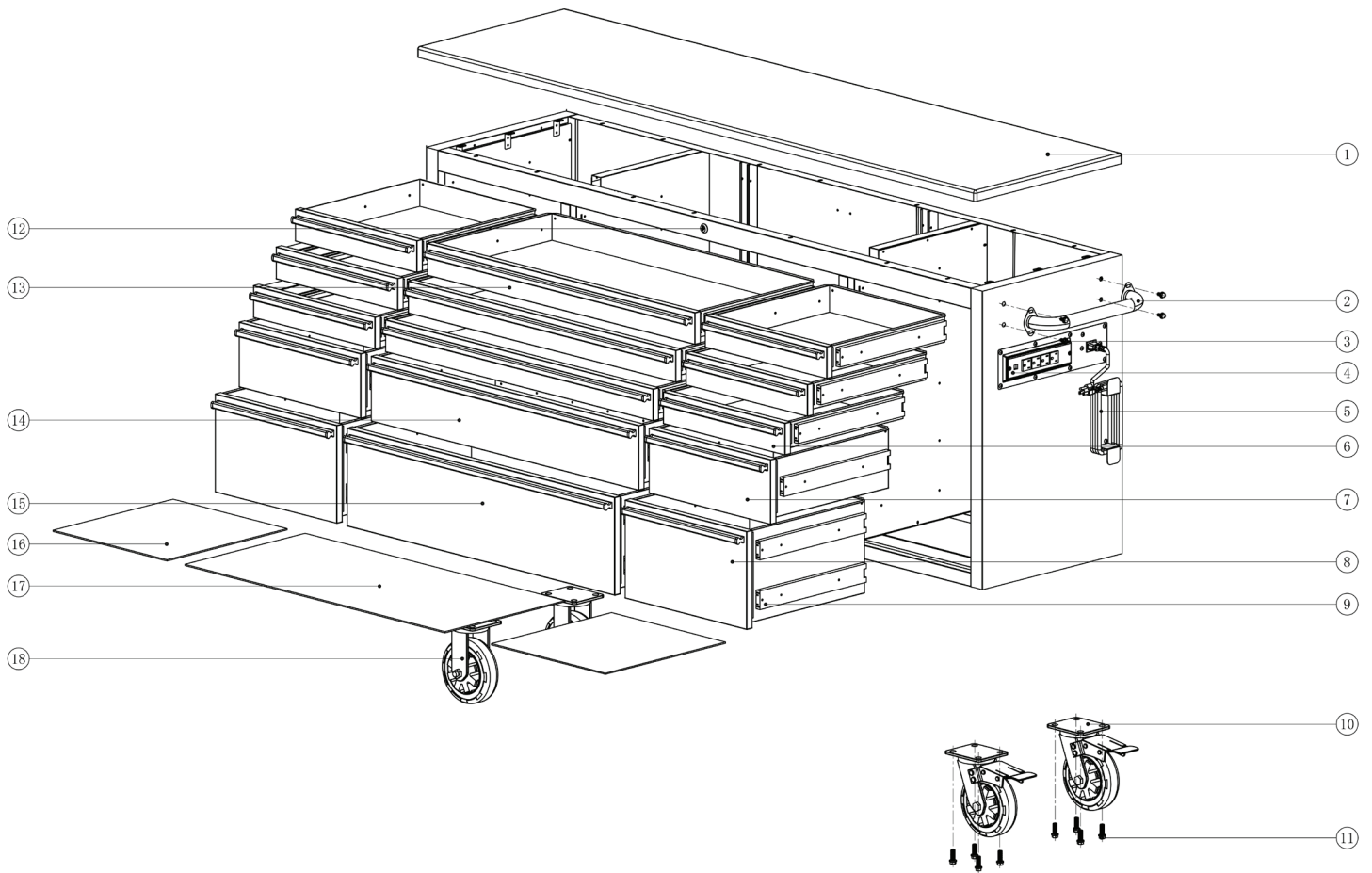
Mobile Tool Chest Assembly Guide

555-81448

Stainless Steel | 15-Drawer | 72 in.



Parts List



#	DESCRIPTION	QTY	#	DESCRIPTION	QTY	#	DESCRIPTION	QTY
1	Cabinet Top	1	7	Drawer (Large 1/2)	2	13	Drawer (Medium)	3
2	Handle	1	8	Drawer (X-Large 1/2)	2	14	Drawer (Large)	1
3	Bolt (1/4 in. x 1/2 in.)	4	9	Drawer Sliders	36	15	Drawer (X-Large)	1
4	Power Strip	1	10	Caster (Locking Swivel)	2	16	Drawer Liner (Narrow)	10
5	Power Cord	1	11	Bolts (3/8 in x 1 in.)	16	17	Drawer Liner (Wide)	5
6	Drawer (Medium 1/2)	6	12	Lock & Key	1	18	Caster (Fixed)	2

Introduction

We would like to take this opportunity to thank you for purchasing this JEGS Mobile Stainless Steel 15-drawer Tool Chest. We welcome any comments or feedback you might have. If you have any questions about this product or about the installation procedure, please feel free to contact us at 1.800.345.4545.

Fingerprint resistant stainless steel construction with a 1 1/4 in. thick wooden worktop. 100 lb. capacity drawers with aluminum pull handles and non-slip liners. Four casters, two fixed and two swivel (which include brakes). Comes with heavy-duty side handles for comfort and control when maneuvering. Supplied with lock and keys.

IMPORTANT

Please read these instructions carefully. Note the safe operation requirements, warnings, and cautions. Use this product for the purpose for which it is intended. Failure to do so may result in damage and/or personal injury, and will void the warranty. Keep these instructions in a safe place for future use.

SPECIFICATIONS

QTY	COMPONENT	DIMENSIONS (WxDxH) IN.
	Overall Size	78.250 x 19.125 x 37.250
6	Medium 1/2 Drawer	14.850 x 15 x 2.500
2	Large 1/2 Drawer	14.850 x 15 x 5.500
2	X-Large 1/2 Drawer	14.850 x 15 x 8.750
3	Medium Drawer	33.750 x 15 x 2.500
1	Large Drawer	33.750 x 15 x 5.500
1	X-Large Drawer	33.750 x 15 x 8.750

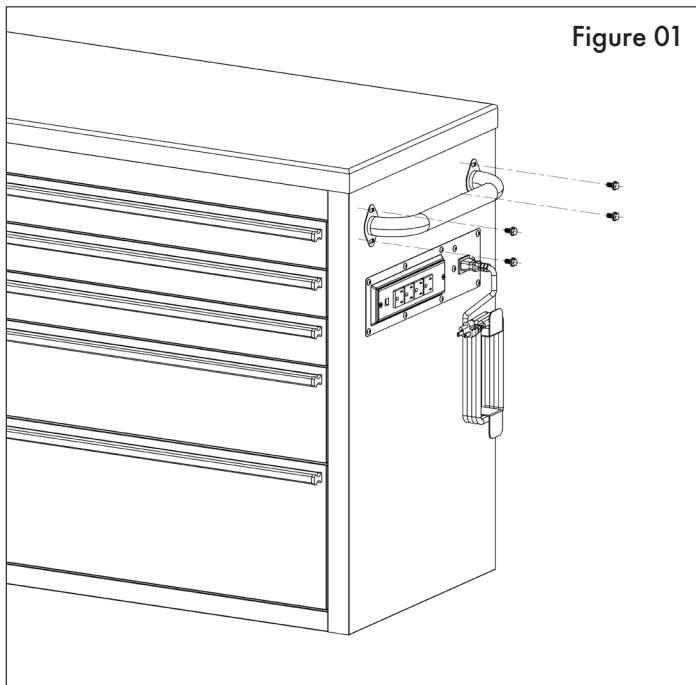
Safety

- Locate in a suitable work area.
- Monitor children near the cabinet.
- Do not open more than one drawer at a time.
- Fill from the bottom drawer.
 - If the tool cabinet is filled from the top drawer down, it will be top heavy and may fall over.
- Do not attempt to lift by the side handles, use chains, ropes or other lifting devices.
- Do not use the cabinet as a step or climb on the drawers.
- Do not alter the product in any way.
 - Do not weld on external lock bars or attach electrical equipment.
 - Doing so may damage the product and cause personal injury.
- Keep on a level surface
- When moving the cabinet DO NOT pull it. Push the cabinet to prevent injury.
- Close and lock the drawers before moving the cabinet. If the drawers come open they could make the cabinet unstable.
- Apply brake when the cabinet is in the desired position.
- Do not mount on a truck bed or any other moving object.
- Be aware of sharp edges.

Installation

HANDLE (Fig.01)

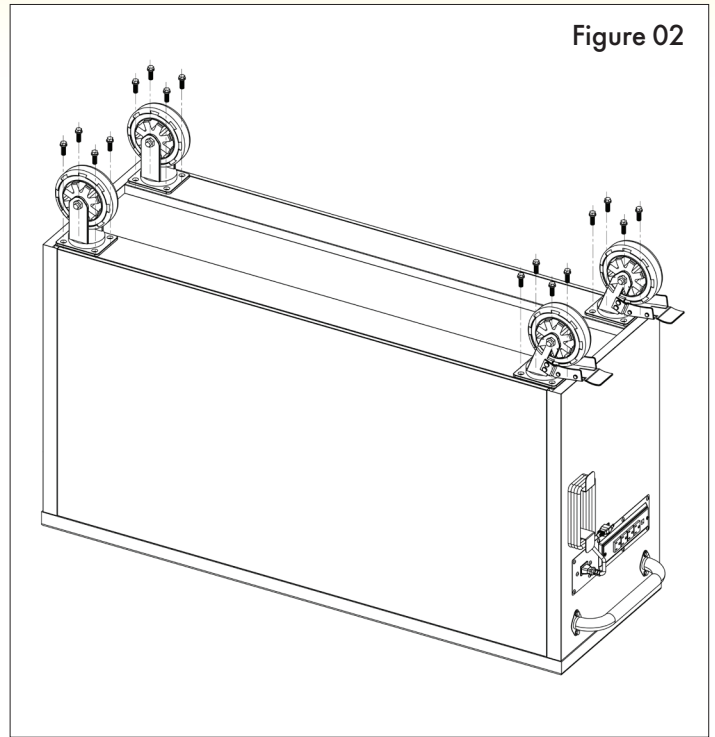
1. Attach with $\frac{1}{4}$ in. x $\frac{1}{2}$ in. bolts, lock washer and flat washers.



CASTERS (Fig.02)

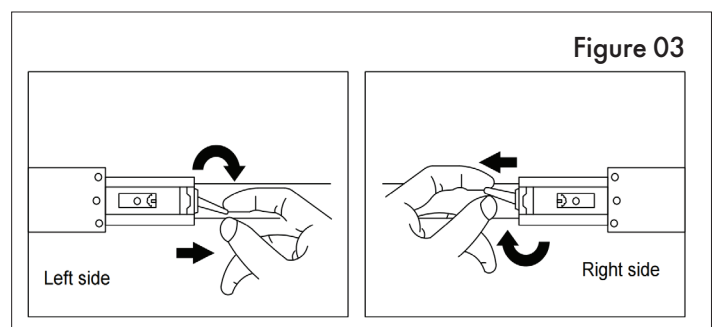
1. **WARNING.** Two or more people are required to lay down or stand up the cabinet. Lock drawers before turning over.
2. Carefully lay the cabinet upside down on a soft mat for protection
3. Fit the swivel/locking casters on the handle side of the cabinet using $\frac{3}{8}$ in. x 1 in. bolts. Insert the bolts through each caster and into the bottom of the cabinet. Tighten securely.
4. Repeat for the two rigid casters on the other side of the cabinet.

Figure 02



DRAWERS (Fig.03)

1. New drawer slides may be stiff and difficult to open at first. A gentle outward pull should release the safety that prevents the drawer from opening whilst the cabinet is being moved.
2. Remove drawers from their slides as below.
 - Pull left slide tab down and pull right side slide tab up.



Maintenance

1. To clean use a soft cloth that will not scratch the surface.
2. DO NOT use solvents of any kind they may damage the surface.
3. Liquid spills should be removed immediately, use a soft clean cloth to blot the spill gently - avoid rubbing.
4. Grease the casters with good quality grease once a year.
5. Lubricate the drawer slides twice a year with light duty oil.

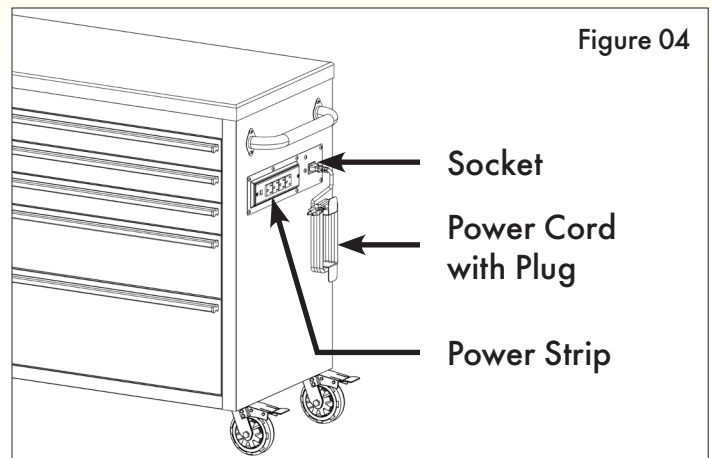
Electronics

POWER STRIP (Fig.04)

This cabinet features a pre-installed power strip with (4) 5-15 outlets and (2) USB ports, conveniently located for easy access. The included power strip has the following ratings:

Maximum Amperage Load..... 12A
Maximum Voltage..... 125V
Cycle..... 60 Hz
Maximum Wattage..... 1500W
USB Output..... 5VDC, Max. 2.1A

Plug the provided power cord into the power strip socket.



110V CIRCUIT REQUIREMENTS

This tool chest is pre-wired to connect to a power supply circuit that has a verified ground and meets the following requirements.

Nominal Voltage..... 110V, 115V, 120V
Cycle..... 60Hz
Phase..... Single-Phase
Power Supply Circuit..... 15 Amps

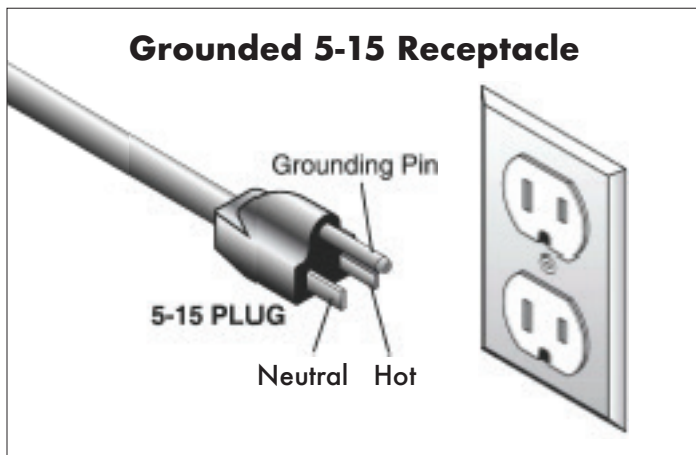
A power supply circuit includes all electrical equipment between the breaker box or fuse panel in the building and the power strip. The power supply circuit used for this power strip must be sized to safely handle the full-load current drawn from the power strip for an extended period of time. (If this power strip is connected to a circuit protected by fuses, use a "D" time delay fuse.

GROUNDING & PLUG REQUIREMENTS

This power strip MUST be grounded. In the event of certain malfunctions or breakdowns, grounding reduces the risk of electric shock by providing a path of least resistance for electric current.

Electronics

This power strip is equipped with a power cord that has an equipment-grounding wire and a grounding plug. Only insert plug into a matching receptacle (outlet) that is properly installed and grounded in accordance with all local codes and ordinances. DO NOT modify the provided plug!



⚠️ WARNING

- Do not connect to plug receptacle via extension cords or in series with other power strips.
- Keep electrical connections clear of flammable materials.
- Keep electrical connections dry. Do not use in damp or wet conditions.
- Do not connect devices to power strip that draw more than listed power strip rating. Equipment must be used in accordance with the instructions.
- Power strips are designed for use with low-powered loads, such as battery chargers. Not designed for use with high-powered loads, such as space heaters or microwaves.
- Do not run cord under floor coverings or where it may be tripped over.
- Not meant for outdoor use.
- Prevent unauthorized use by children or untrained users.



⚠️ WARNING

Electrocution, fire, shock, or equipment damage may occur if power strip is not properly grounded and connected to power supply.

Anti-Tipping

It is strongly recommended that you anchor this tool chest to prevent it from tipping over. Toppling furniture can cause serious injury or death.

An anti-tipping kit has been provided to prevent your tool chest from tipping forward.

This kit is designed to anchor the tool chest to a wall or other solid vertical surface using the provided components.

It is important to regularly check that the anchors are secure. The stability of your tool chest may be affected by thick carpeting or uneven flooring.

IMPORTANT

- Check for wiring or plumbing inside the wall before drilling.
- Determine the wall material and use the appropriate hardware.

