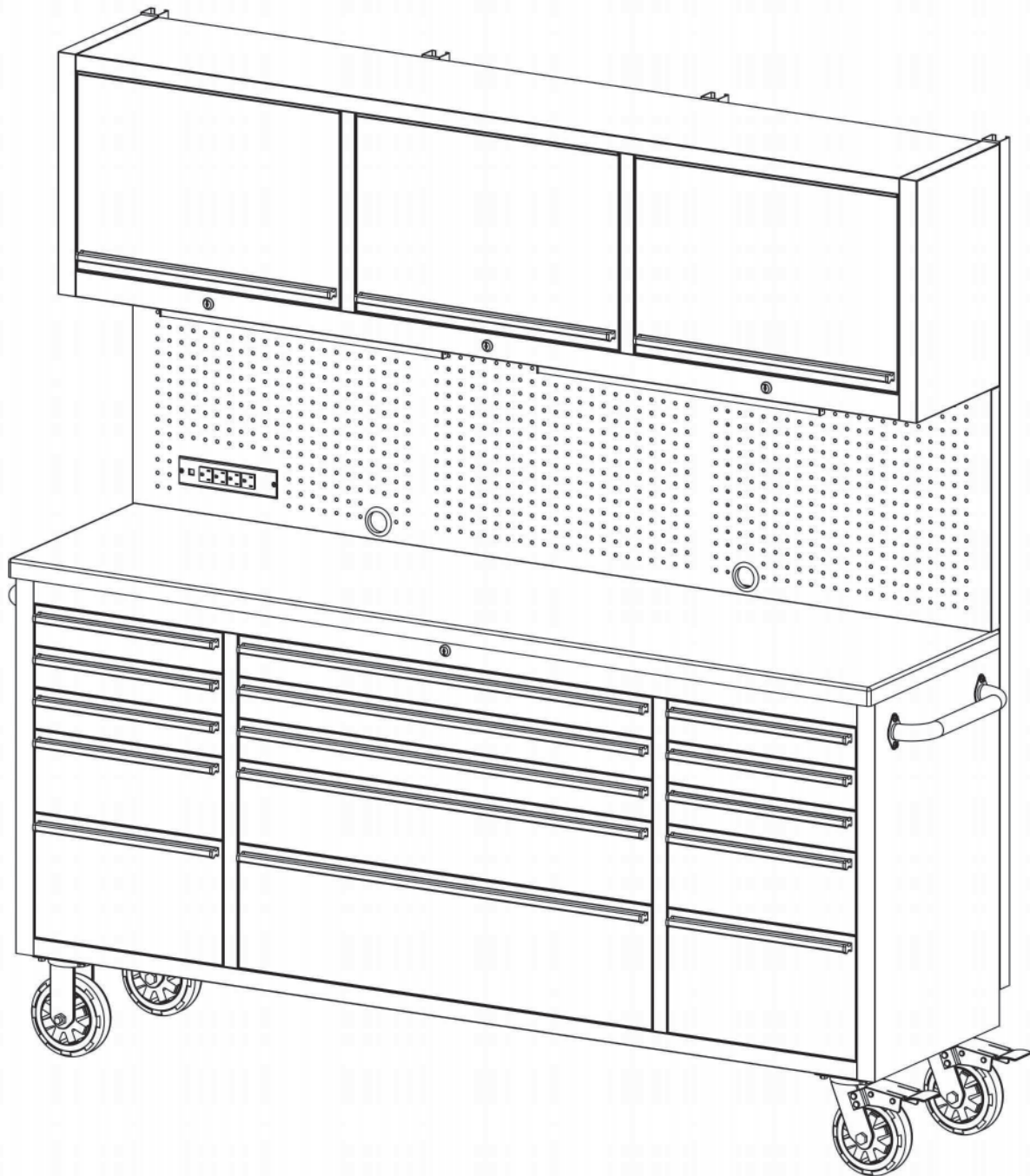


Tool Box with Cabinets Assembly Guide

555-81459

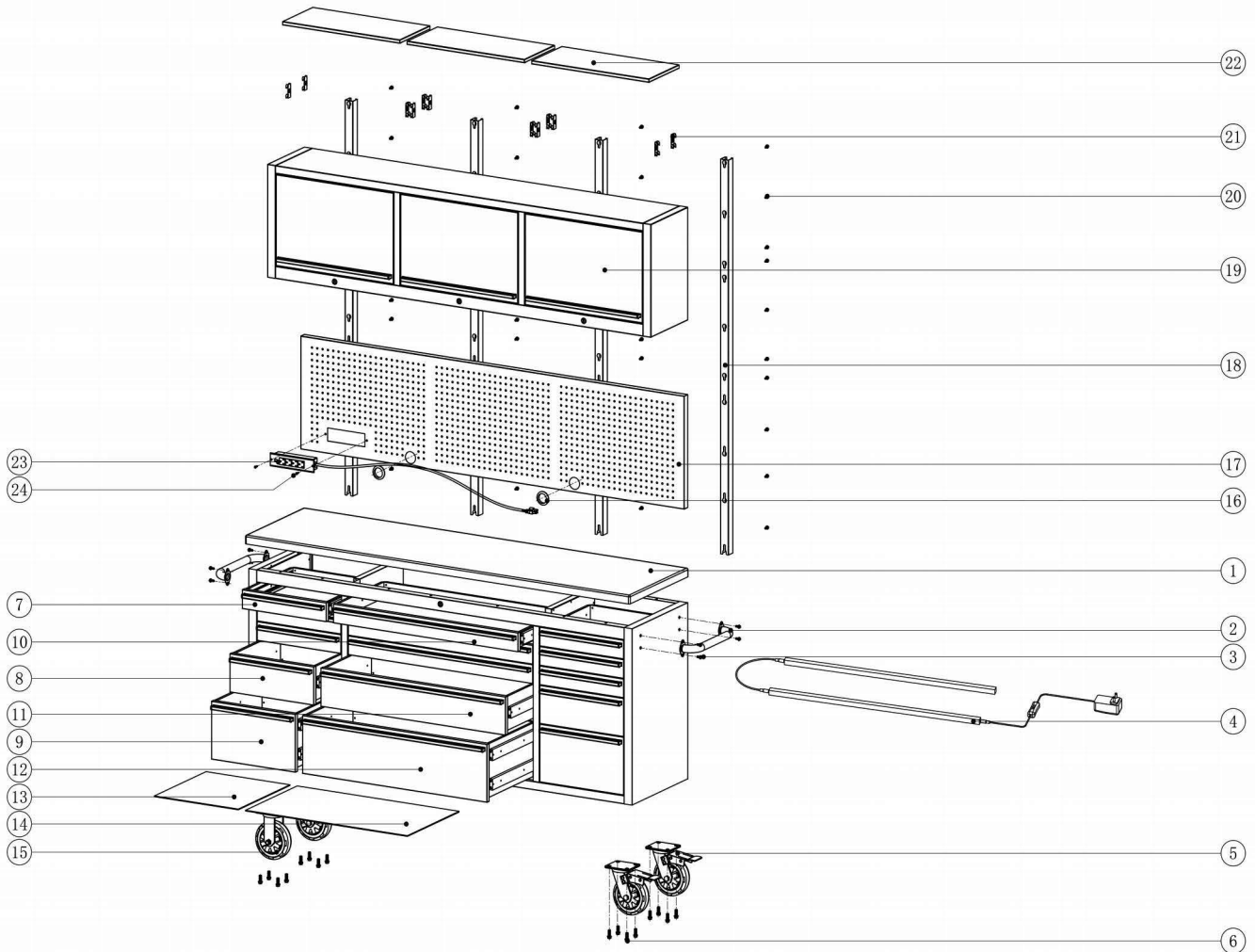
Red Powder Coated | 15-Drawer | 72 in.



JEGS.com

1-800-345-4545

Parts List



#	DESCRIPTION	QTY	#	DESCRIPTION	QTY	#	DESCRIPTION	QTY
1	Counter Top	1	10	Drawer (Center Top)	3	19	Cabinet Body	1
2	Handle	2	11	Drawer (Center Middle)	1	20	Bolts	40
3	Bolts (1/4 in.)	8	12	Drawer (Center Bottom)	1	21	Wall Mount Hooks	12
4	LED Light Kit	1	13	Drawer Liner (Narrow)	10	22	Cabinet Shelves	3
5	Caster (6 in. Swivel)	2	14	Drawer Liner (Wide)	5	23	Power Strip	1
6	Bolts (3/8)	16	15	Caster (6 in. Fixed)	2	24	Bolt (5/32 in.)	2
7	Drawer (Outer Top)	6	16	Grommet	2			
8	Drawer (Outer Middle)	2	17	Pegboard	1			
9	Drawer (Outer Bottom)	2	18	Upr. Cabinet Support	4			

Introduction

We would like to take this opportunity to thank you for purchasing this JEGS 72 in. 15-Drawer Black Powder Coated Tool Box with Cabinets. We welcome any comments or feedback you might have. If you have any questions about this product or about the installation procedure, please feel free to contact us at 1.800.345.4545.

This cabinet has a black powder coated steel construction with a 1 1/4 in. thick worktop. 100 lb. capacity drawers with aluminum pull handles and non-slip liners. Four casters, two fixed and two swivel (which include brakes). Come with a heavy-duty side handle for comfort and control when maneuvering. Supplied with locks and key.

IMPORTANT

Please read these instructions carefully. Note the safe operation requirements, warnings, and cautions. Use this product for the purpose for which it is intended. Failure to do so may result in damage and/or personal injury, and will void the warranty. Keep these instructions in a safe place for future use.

Safety

- Locate in a suitable work area.
- Monitor children near the cabinet.
- Do not open more than one drawer at a time.
- Fill from the bottom drawer.
 - If the tool cabinet is filled from the top drawer down, it will be top heavy and may fall over.
- Do not attempt to lift by the side handles, use chains, ropes or other lifting devices.
- Do not use the cabinet as a step or climb on the drawers.
- Do not alter the product in any way.
 - Don't add external lock bars or electrical equipment.
 - May cause damage the product and personal injury.

Safety

- Keep on a level surface
- When moving the cabinet DO NOT pull it. Push the cabinet to prevent injury.
- Close and lock the drawers before moving the cabinet. If the drawers come open they could make the cabinet unstable.
- Apply brake when the cabinet is in the desired position.
- Do not mount on a truck bed or any other moving object.
- Be aware of sharp edges.

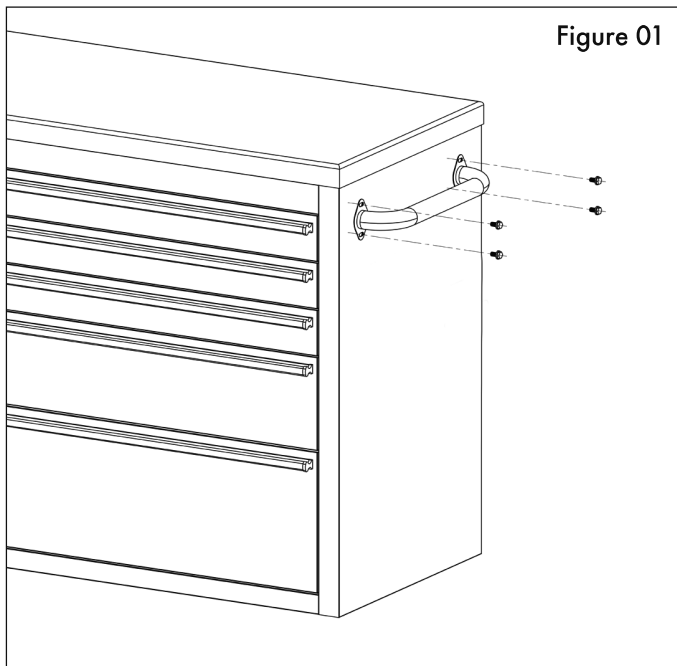
⚠ WARNING

- Do not connect to plug receptacle via extension cords or in series with other power strips.
- Keep electrical connections clear of flammable materials.
- Keep electrical connections dry. Do not use in damp or wet conditions.
- Do not connect devices to power strip that draw more than listed power strip rating. Equipment must be used in accordance with the instructions.
- Power strips are designed for use with low-powered loads, such as battery chargers. Not designed for use with high-powered loads, such as space heaters or microwaves.
- Do not run cord under floor coverings or where it may be tripped over.
- Not meant for outdoor use.
- Prevent unauthorized use by untrained users.

Installation

HANDLE (Fig.01)

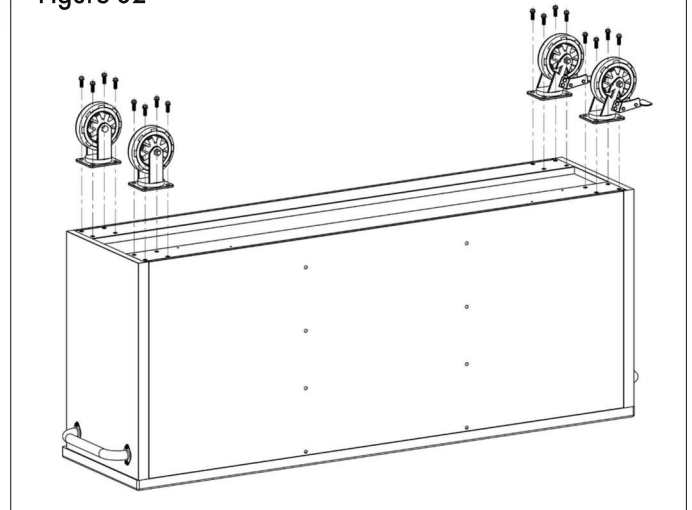
1. Attach with $\frac{1}{4}$ in. x $\frac{1}{2}$ in. bolts, lock and flat washers.



CASTERS (Fig.02)

1. **WARNING.** Two or more people are required to lay down or stand up the cabinet. Lock drawers before turning over.
2. Carefully lay the cabinet upside down on a soft mat to protect the finish.
3. Fit the swivel/locking casters on the handle side of the cabinet using $\frac{3}{8}$ in. x 1 in. bolts. Insert the bolts through each caster and into the bottom of the cabinet. Tighten securely.
4. Repeat steps for the two rigid casters on the other side of the cabinet.

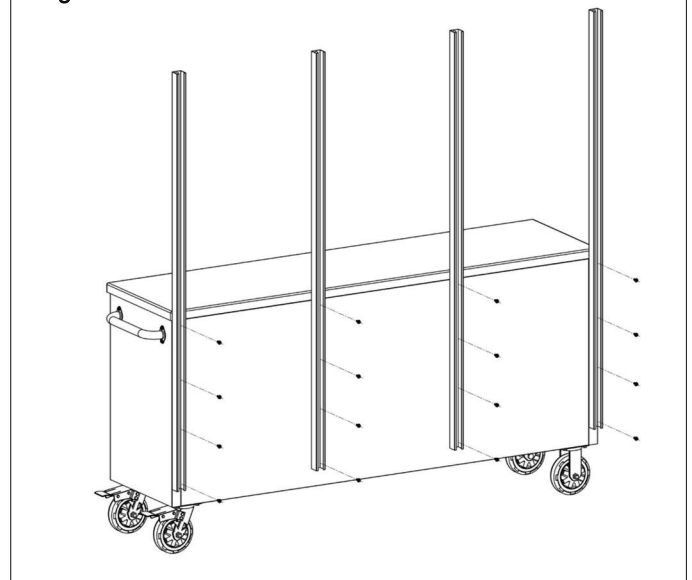
Figure 02



UPPER CABINET RAILS (Fig. 03)

1. With the cabinet in the upright position attach the four rails to the back using four $\frac{1}{4}$ in. x $\frac{1}{2}$ in. bolts per rail.

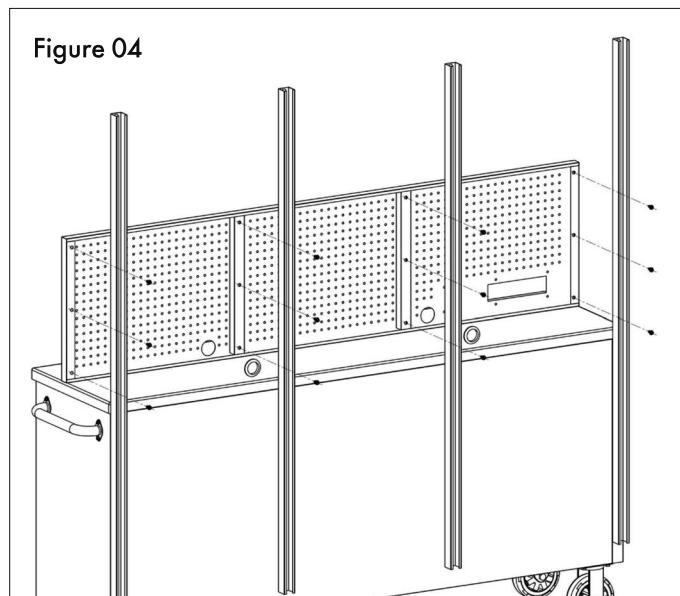
Figure 03



Installation

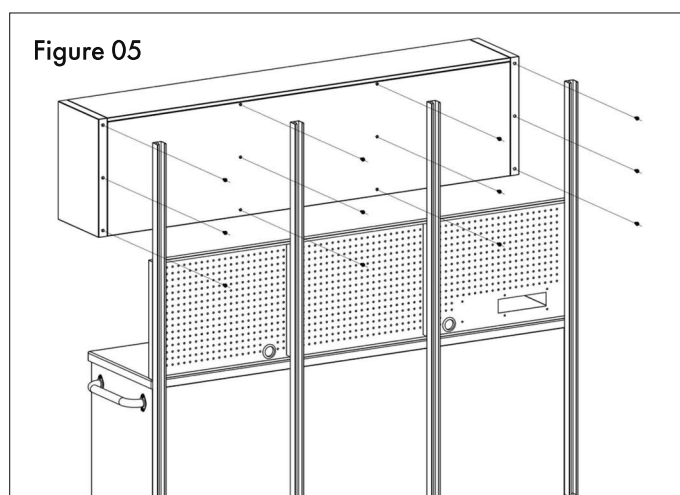
UPPER CABINET PEGBOARD (Fig. 04)

1. Attach the pegboard to the rails with three $\frac{1}{4}$ in. x $\frac{1}{2}$ in. bolts per rail.



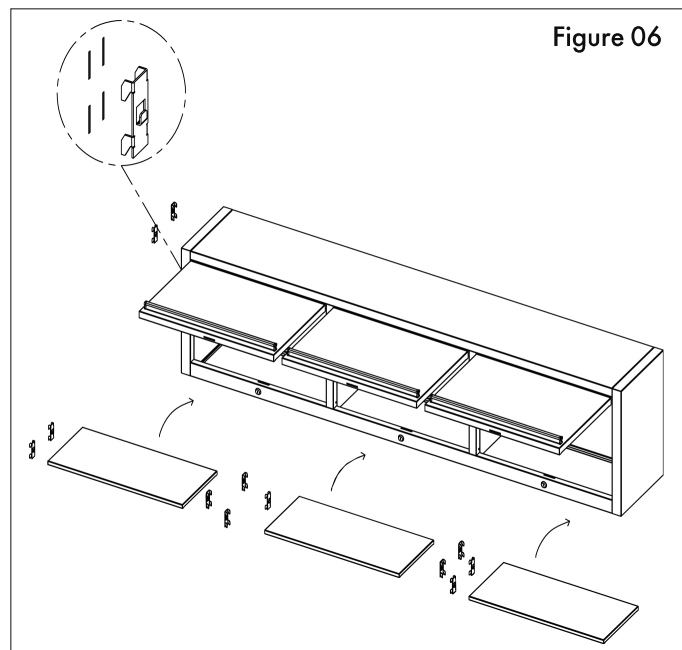
UPPER CABINET (Fig. 05)

2. Attach the upper cabinet to the rails with three $\frac{1}{4}$ in. x $\frac{1}{2}$ in. bolts per rail.



SHELF ASSEMBLY (Fig. 06)

1. Insert four hooks, per shelf, inside the upper cabinet at the desired height. Place the shelf on the shelf supports. Repeat for the other shelves.



Electrical

POWER STRIP (Fig.07)

1. In the direction of the arrow, pass the plug-in wire through the mounting hole first, then tighten the two 5/32" screws of the row.

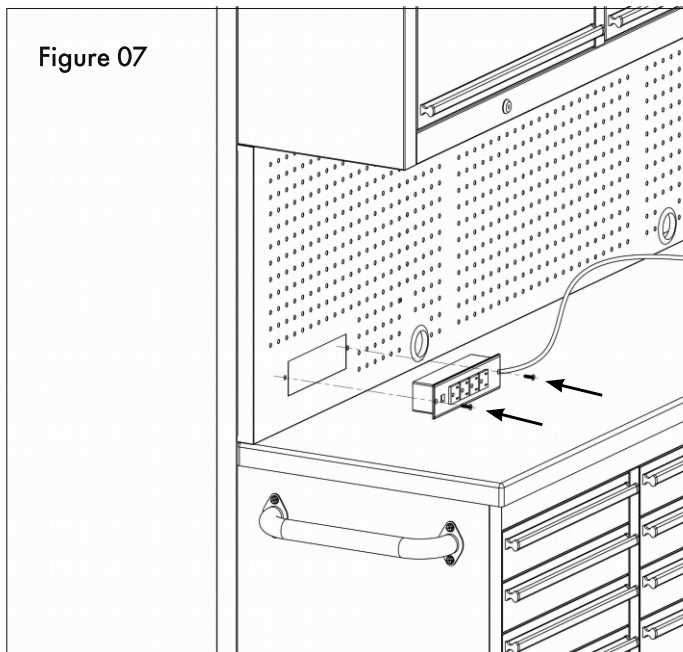


Figure 07

LED LIGHT (Fig. 08 & 09)

1. The LED light strip is secured to the bottom of the upper cabinet using magnets. These magnets are secured in the light's housing.
2. Plug the light into the cabinet's power strip.



⚠ WARNING

Electrocution, fire, shock, or equipment damage may occur if power strip is not properly grounded and connected to power supply.

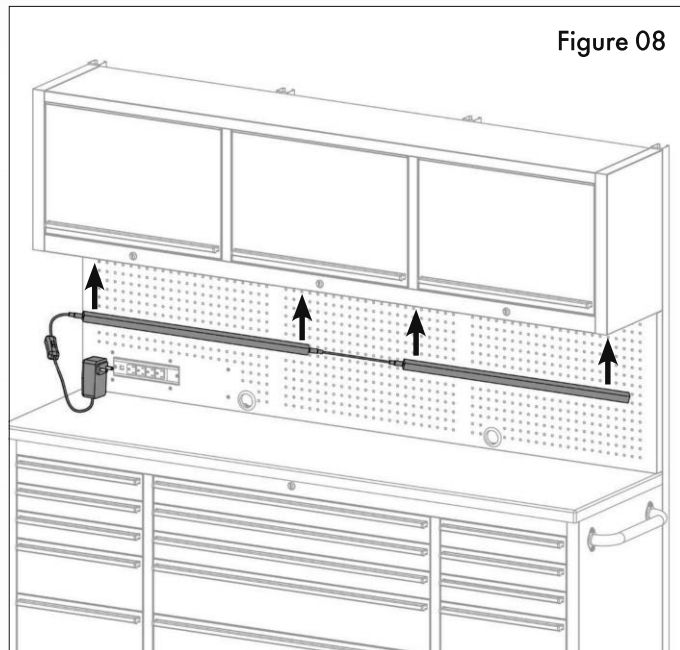


Figure 08

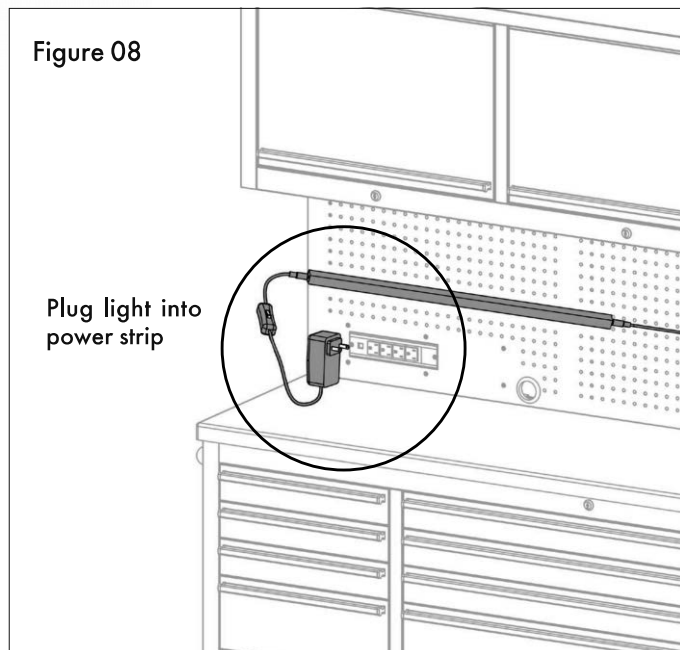


Figure 08

Plug light into power strip

Electrical

POWER STRIP

This cabinet features a pre-installed power strip with (4) 5-15 outlets and (2) USB ports, conveniently located for easy access. The included power strip has the following ratings:

- Maximum Amperage Load..... 12A**
- Maximum Voltage..... 125V**
- Cycle..... 60 Hz**
- Maximum Wattage..... 1500W**
- USB Output..... 5VDC, Max. 2.1A**

Plug the provided power cord into the power strip socket.

110V CIRCUIT REQUIREMENTS

This tool chest is pre-wired to connect to a power supply circuit that has a verified ground and meets the following requirements.

- Nominal Voltage..... 110V, 115V, 120V**
- Cycle..... 60Hz**
- Phase..... Single-Phase**
- Power Supply Circuit..... 15 Amps**

A power supply circuit includes all electrical equipment between the breaker box or fuse panel in the building and the power strip. The power supply circuit used for this power strip must be sized to safely handle the full-load current drawn from the power strip for an extended period of time. (If this power strip is connected to a circuit protected by fuses, use a "D" time delay fuse.

GROUNDING & PLUG REQUIREMENTS

This power strip **MUST** be grounded. In the event of certain malfunctions or breakdowns, grounding reduces the risk of electric shock by providing a path of least resistance for electric current.

Operation

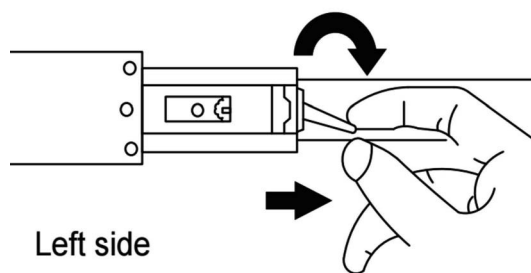
DRAWER REMOVAL (Fig.10)

1. Pull the drawer out so that it is almost fully extended. Push down on the LEFT hand black release lever while pulling up on the RIGHT hand black release lever. While holding the levers in these positions carefully pull the drawer outward until it is released from the drawer slide.

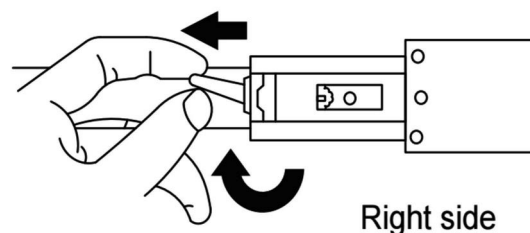
DRAWER REPLACEMENT

1. Extend the drawer slides from the tool chest. Insert the brackets on each cabinet slide being careful that they are correctly positioned. Once inserted, close the drawer to set the slides in their proper positions.

Figure 10



Left side



Right side

Anti-Tipping Hardware

It is strongly recommended that you anchor this cabinet. Toppling furniture can cause serious injury or death.

An Anti-Tipping kit has been provided with this cabinet to reduce the risk of injury. (Fig. 11)

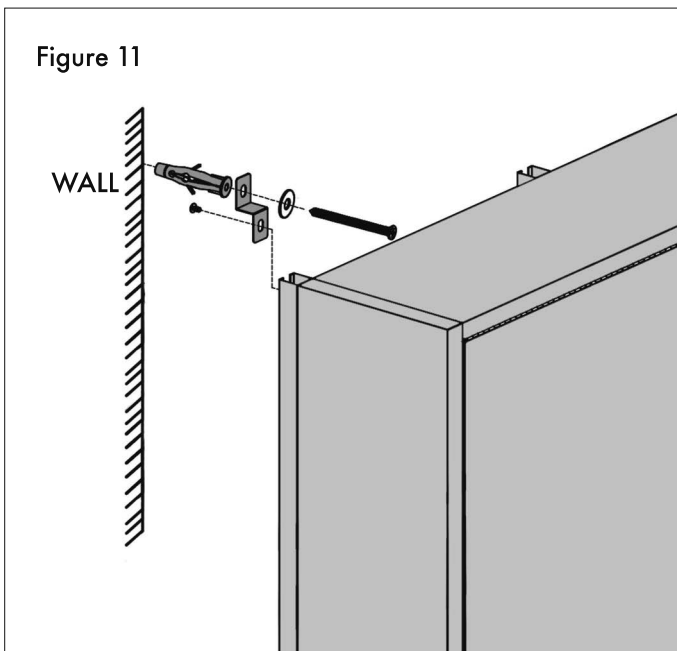
This kit securely attaches the cabinet to a wall or other solid surface using the provided hardware.

It is important to regularly check that the anchors are securely mounted. The stability of cabinet may be effected by carpet and uneven flooring.

IMPORTANT

- Ensure there is no wiring or plumbing inside the wall before drilling.
- Determine the wall material (drywall, masonry, etc.) and use the appropriate hardware.

Figure 11



Maintenance

1. To clean use a soft cloth that will not scratch the surface.
2. DO NOT use solvents of any kind they may damage the surface.
3. Liquid spills should be removed immediately, use a soft clean cloth to blot the spill gently - avoid rubbing.
4. Grease the casters with good quality grease once a year.
5. Lubricate the drawer slides twice a year with light duty oil.

Warning

This power strip is equipped with a power cord that has an equipment-grounding wire and a grounding plug. Only insert plug into a matching receptacle (outlet) that is properly installed and grounded in accordance with all local codes and ordinances. DO NOT modify the provided plug!

Grounded 5-15 Receptacle

