

# Installation Instructions for 81461 to 81464

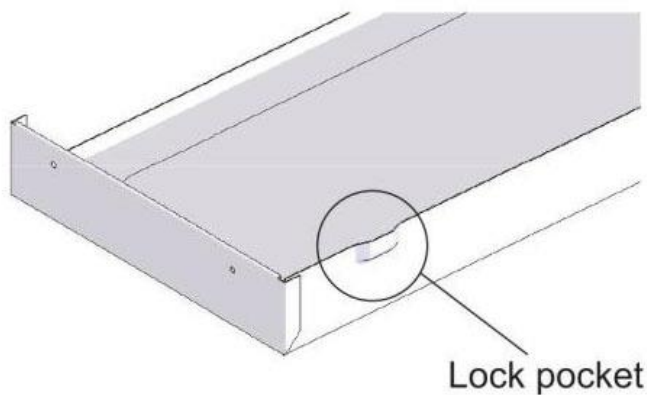
## Tool Chests

Chests that have no front locking panel are equipped with a locking mechanism actuated by the lid. When the lid is closed, lock bar tabs engage the pockets on the drawer. When the lid is open, tabs are raised.



Drawers must be fully closed before the lid is shut. DO NOT slam drawers when the lid is shut as they may damage lock bar tabs or lock pockets.

If damage happens and deforms, please remove the drawer and use a screwdriver to adjust deformed parts on two lock pockets (L & R) and lock bar tabs.



Lock pocket



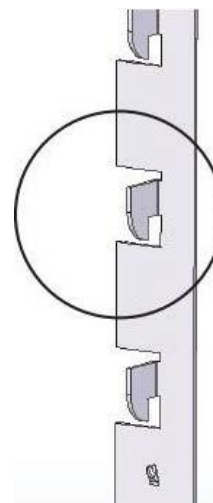
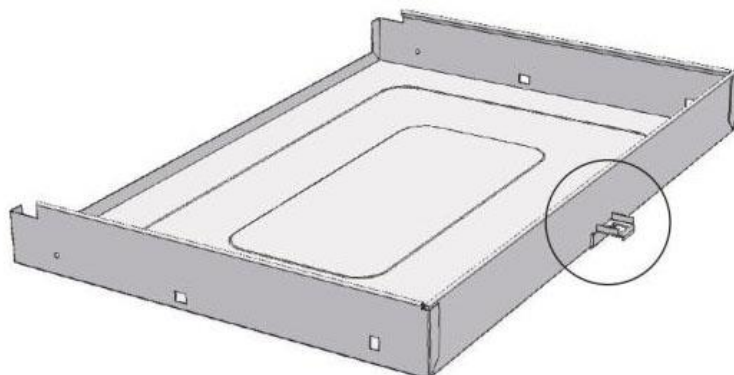
Lock bar tab

## Tool Cabinets

The locking mechanism used on the cabinets is engaged by rotating the cam lock with a key.

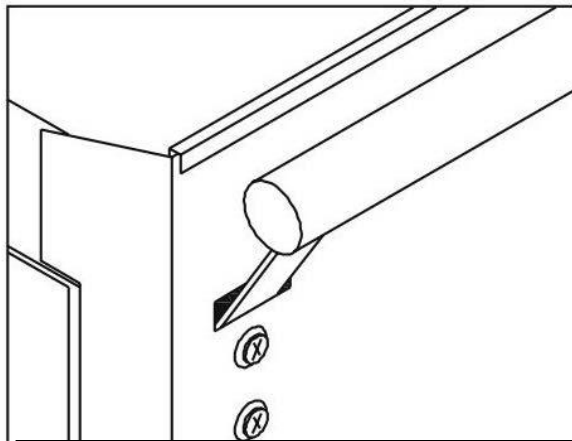


Drawers should be fully closed before locking mechanism is engaged. If drawers are not fully closed when locking mechanism has been engaged, close the cabinet and it will lock automatically.



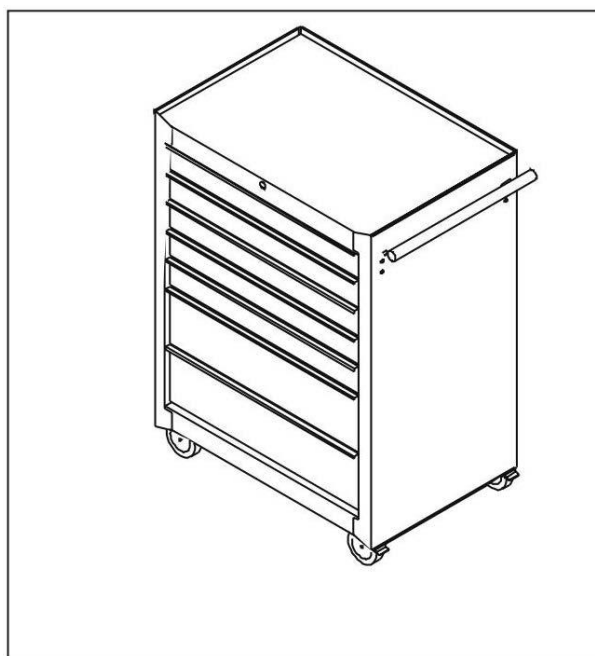
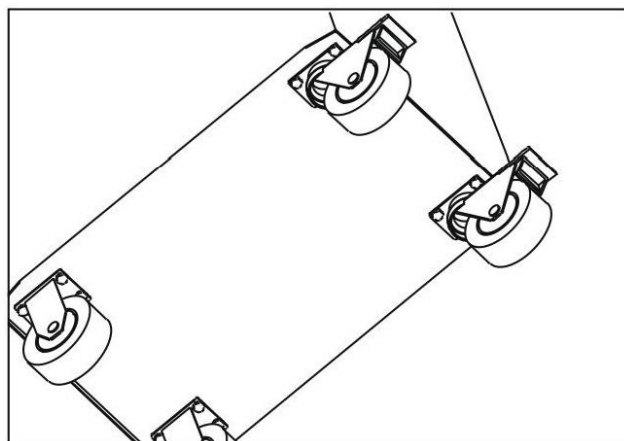
## SIDE HANDLE

- Use screws to fasten side handle.
- Be sure to fasten the handle on the same side as the swivel casters.



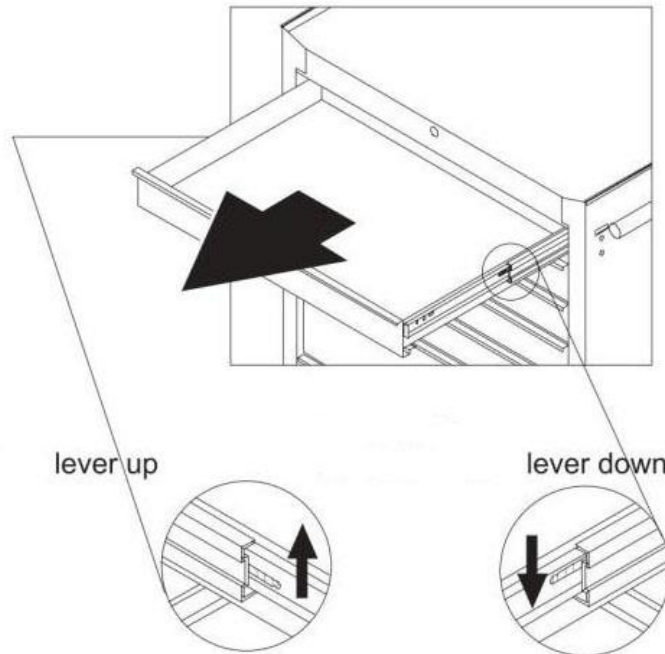
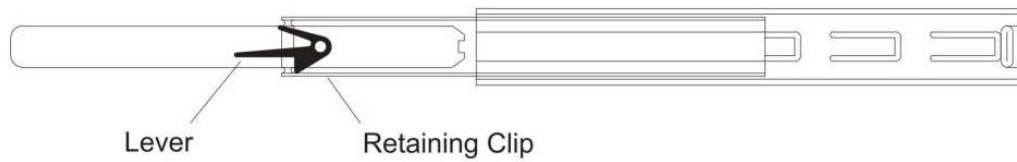
## CASTERS

- Fasten casters to cabinet.
- Be sure to fasten swivel casters on the same end for proper maneuverability.



## HOW TO REMOVE DRAWERS

Each drawer slider has a black retaining clip. To remove drawer, retaining clips on sliders need to be released by pushing lever up (left side of sliders) and down (right side of sliders) at the same time, and sliding out the drawer.

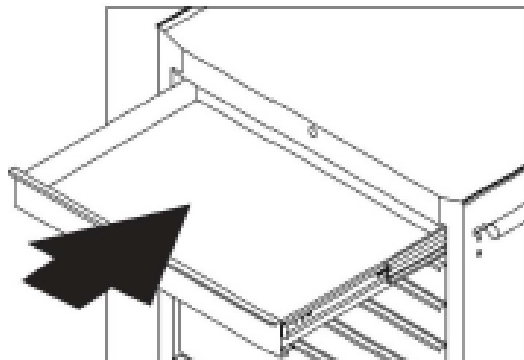


## HOW TO INSTALL DRAWERS

Pull the slide out and then match the track to push in.

### NOTE

1. When installing and pushing-in the drawer it is normal that it fits tightly.
2. Push and pull out the drawer 2-3 times to check whether the drawer moves smoothly or not.
  - a. If the drawer is tight or blocked, the drawer has been installed improperly. Take out the drawer and reinstall.
  - b. If the drawer moves smoothly, the drawer is installed properly.



## LUBRICATION

For the smooth operation of sliders it is important to lubricate them periodically with light grease or petroleum jelly. This should be done at least twice a year or more frequently depending on usage.