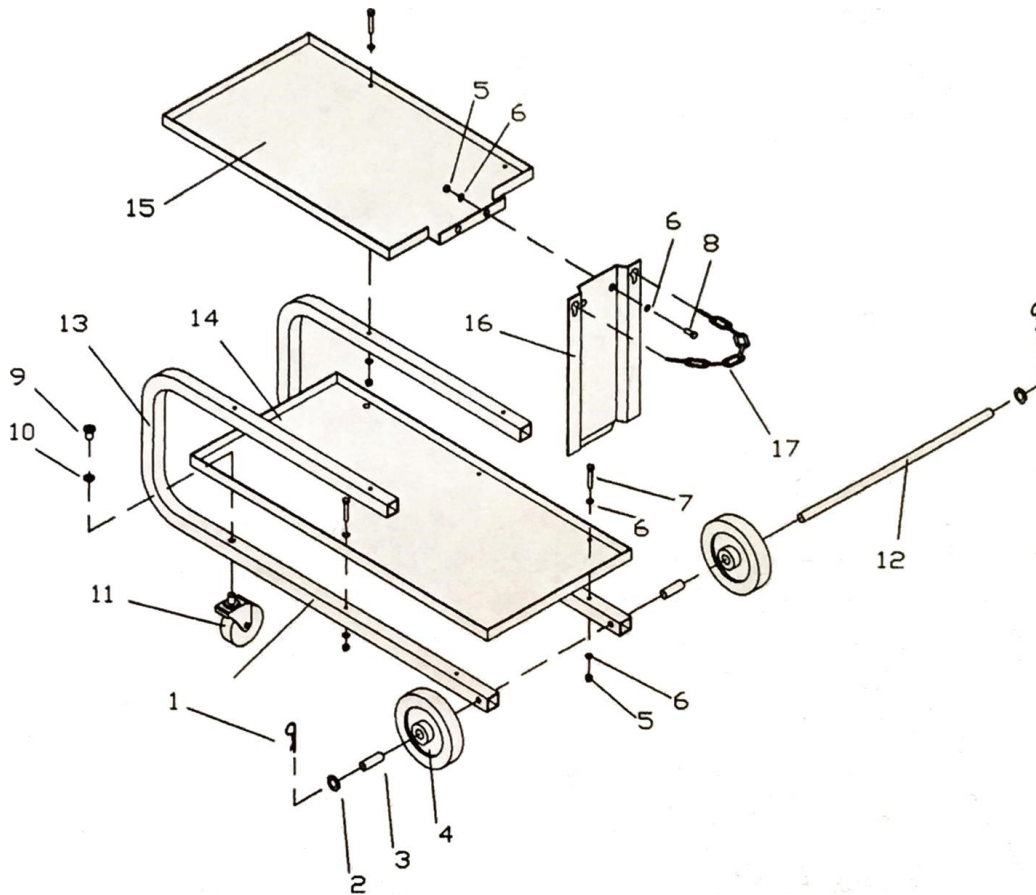


Installation Instructions for 81543 Welding Cart



Part	Description	Qty
1	"R" Pin	2
2	M10 Washer	2
3	Pipe	2
4	5" Wheel	2
5	Nut M6	10
6	M6 Washer	20
7	Bolt M6 x 35	8
8	Bolt M6 x 16	2
9	Nut M8	2
10	M10 Spring Washer	2
11	1.5" Wheel	2
12	Pin	1
13	Part 1	2
14	Part 2	1
15	Part 3	1
16	Part 4	1
17	Chain	1