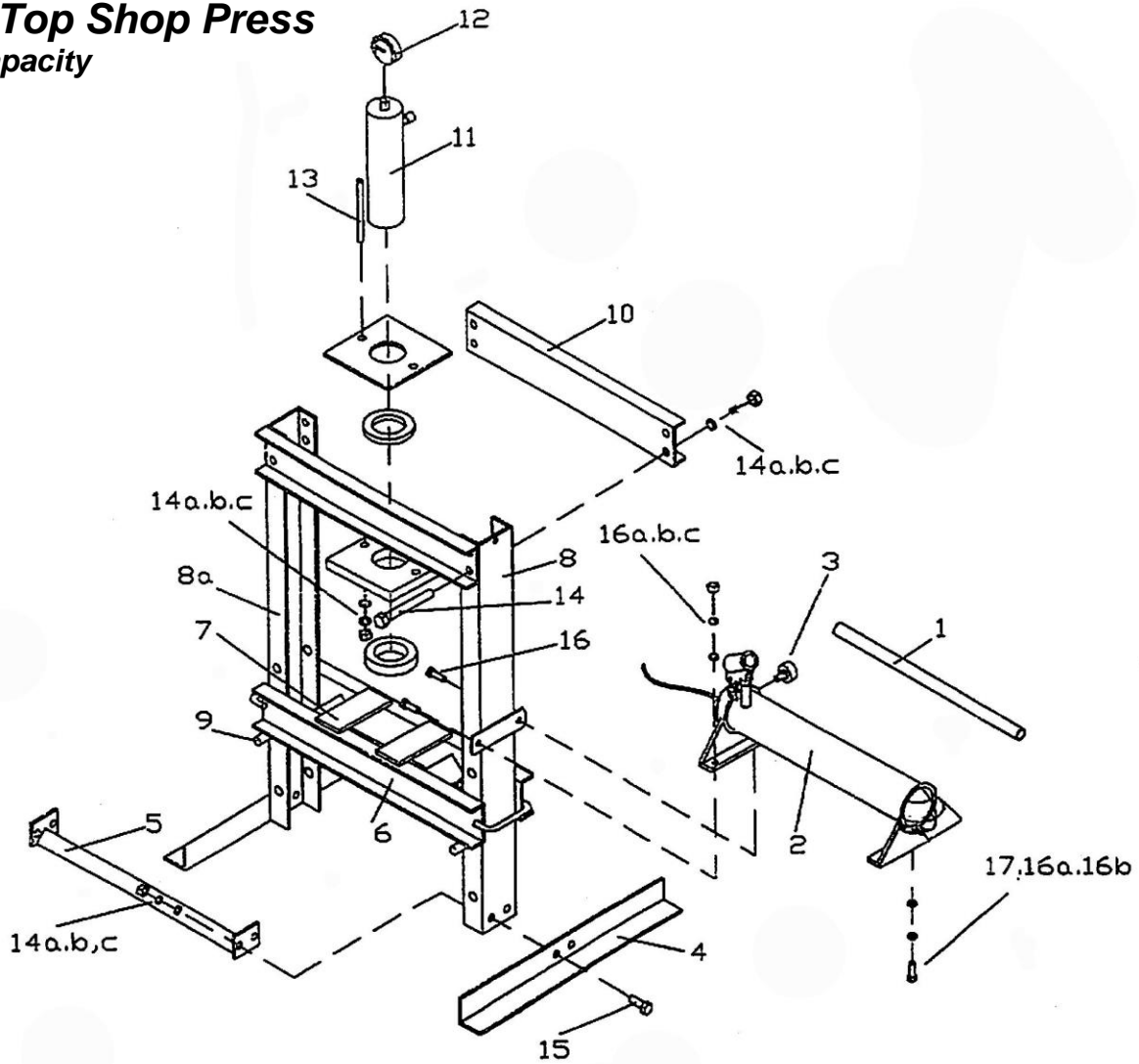


# Installation Instructions for 81636

## Bench Top Shop Press

10-ton Capacity



Nr.	Beschreibung	Stück
1	Handle	1
2	Pumpe	1
3	Release valve	1
4	Leg	2
5	Sprender	1
6	Bed frame	1
7	Heel block	2
8	Right Post	1
8a	Left Post	1
9	Pin	2
10	Upper crossbeam	2
11	Ram	1

Nr.	Beschreibung	Stück
12	Pressure gauge	1
13	Bolt M12x150	2
14	Bolt M12x110	4
14a	Ø12 Washer	12
14b	Ø12 Spring Washer	12
14c	M12 Nut	12
15	Bolt M12x30	4
16	Bolt M8x25	2
16a	Ø8 Washer	3
16b	Ø8 Spring Washer	3
16c	M8 Nut	2
17	Bolt M8x16	1



1-800-345-4545 [jegs.com](http://jegs.com)