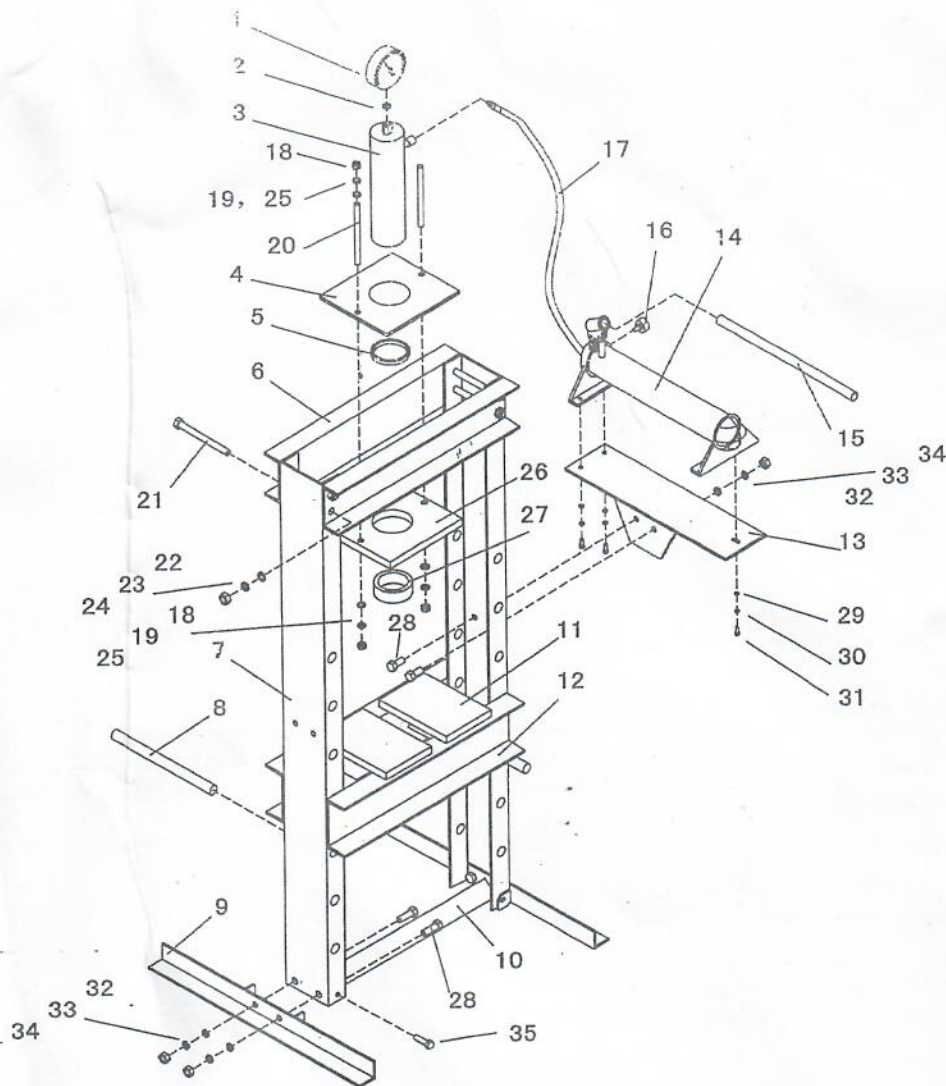


20TON SHOP PRESS



PART	DESCRIPTION	QTY
1	pressure	1
2	nylon pin	1
3	Ram	1
4	Upper Plate	1
5	Upper Round Nut	1
6	crossbeam	2
7	post	2
8	Rod	2
9	Angle Steel	2
10	plank	1
11	Pad Plate	2
12	Press plateform	1
13	Plate	1
14	Pump	1
15	Handle	1
16	Pump Assy	1
17	Hydraulic Hose	1
18	Nut M12	4

PART	DESCRIPTION	QTY
19	Washer $\varnothing 12$	4
20	Bolt M12X190	2
21	Bolt M16X140	4
22	Washer $\varnothing 16$	4
23	Spring Washer $\varnothing 16$	4
24	Nut M16	4
25	Spring Washer $\varnothing 12$	4
26	Under Plate	1
27	Under Round Nut	1
28	Bolt M14X40	6
29	Washer $\varnothing 8$	3
30	Spring Washer $\varnothing 8$	3
31	Bolt M8X16	3
32	Washer $\varnothing 14$	6
33	Spring Washer $\varnothing 14$	6
34	Nut M14	6
35	Bolt M8X25	4