

Installation Guide

Hitch-Mount Cargo Carrier

2in. Receiver, 500lb. Capacity

555-90094



Table of Contents

Read Before Installation	01
Notes	01
Parts List	02
Step 1	03
Step 2	03
Step 3	04
Step 4	04

Read Before Installation

Thank you for your purchase of this JEGS Hitch-Mounted Carrier. Before installation, please be sure to verify that all of the components have been received. Reference the parts list on the following page. If any components are missing or damaged please contact customer service at: 1.800.345.4545.

If you are having issues, or have questions regarding the installation of this carrier, please contact our technical support department at: 1.800.345.4545.

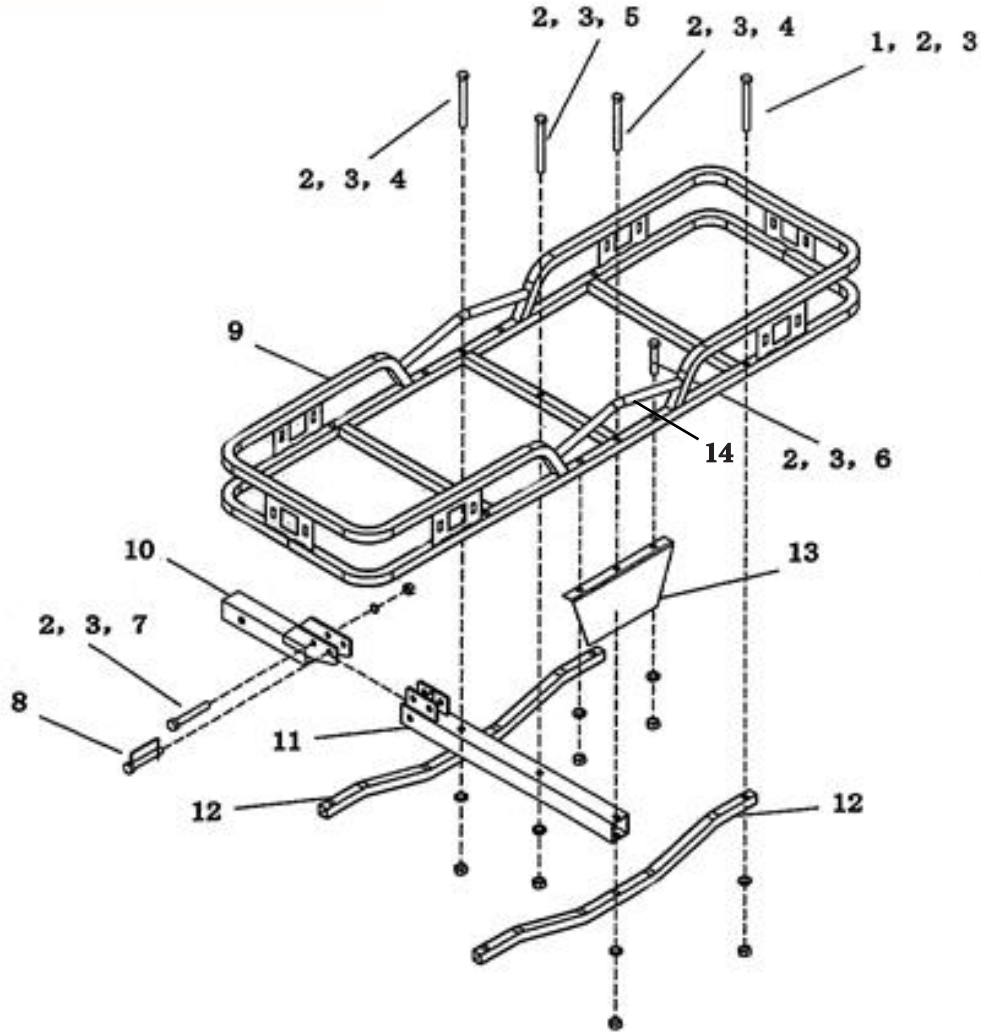
Return Information: Before modifying any of the parts of this hitch-mounted carrier, please trial fit all components. ***Once this kit has been modified, it will not be accepted for return.***

Notes

Please read these instructions completely before performing the installation.

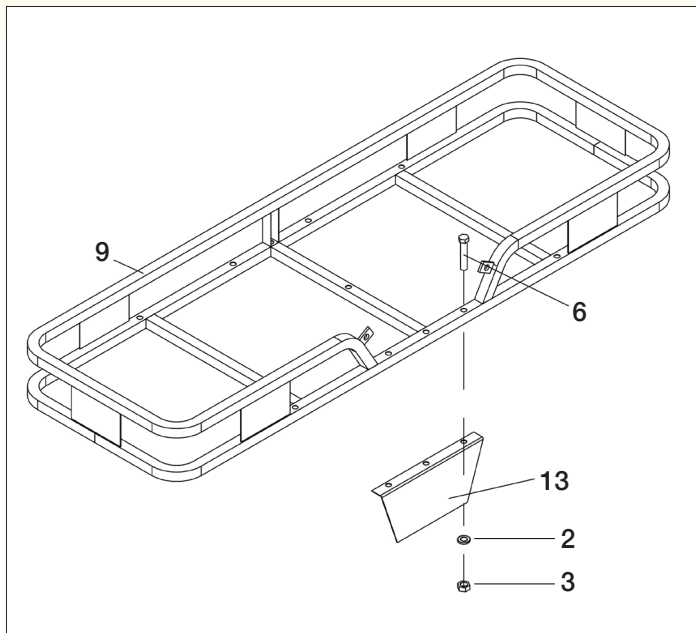
- Always wear personal protective equipment (PPE).
- Verify that your vehicle has a 2in. receiver hitch.
- Fully assemble carrier before tightening hardware.
- Ensure that carrier is securely installed and fastened to your vehicle's hitch before using.

Parts List



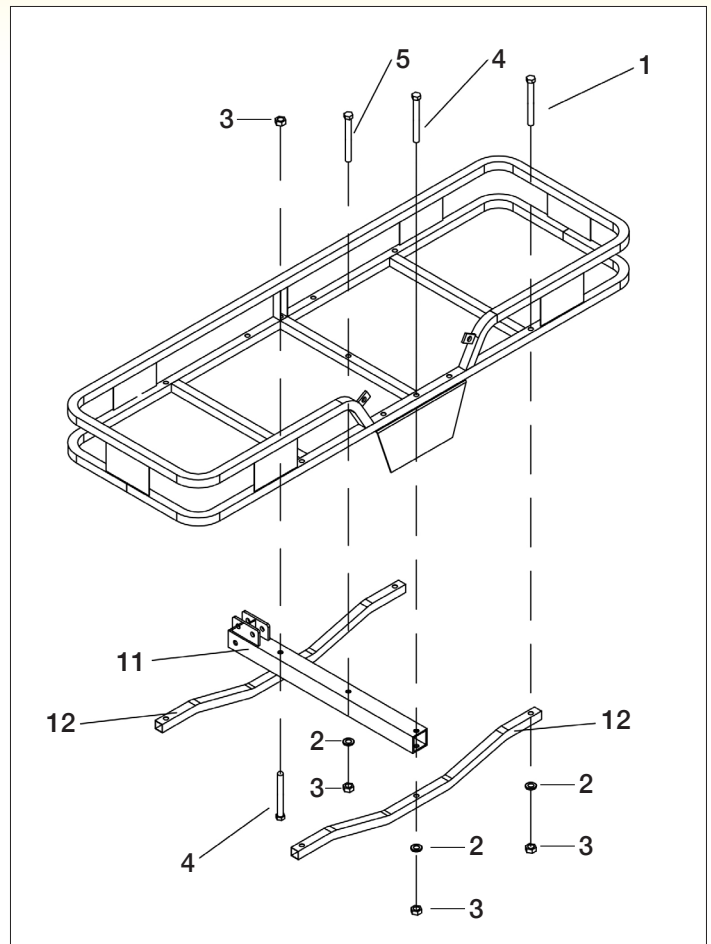
1	Bolt (M12 x 65mm)	4	8	Safety Pin (M12)	1
2	Washer (12mm)	12	9	Base	1
3	Nut (M12)	12	10	Hitch Mount	1
4	Bolt (M12 x 120mm)	2	11	Longitudinal Support	1
5	Bolt (M12 x 90mm)	1	12	Horizontal Supports	2
6	Bolt (M12 x 40mm)	4	13	End Plate	1
7	Bolt (M12 x 80mm)	1	14	Upper Plate	1

Installation



Step 1

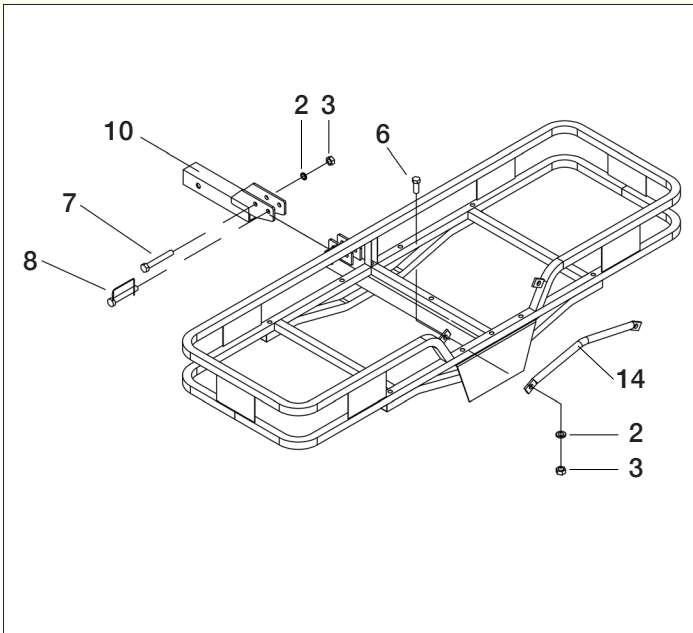
- Mount End Plate (#13) to Base (#9).
- Use 2 M12x40mm Bolts (#6) through the base and end place. Secure beneath with 2 Washers (#2) and 2 Nuts (#3).
- Put bolts only through both side holes, leave the center hole open for the next step.



Step 2

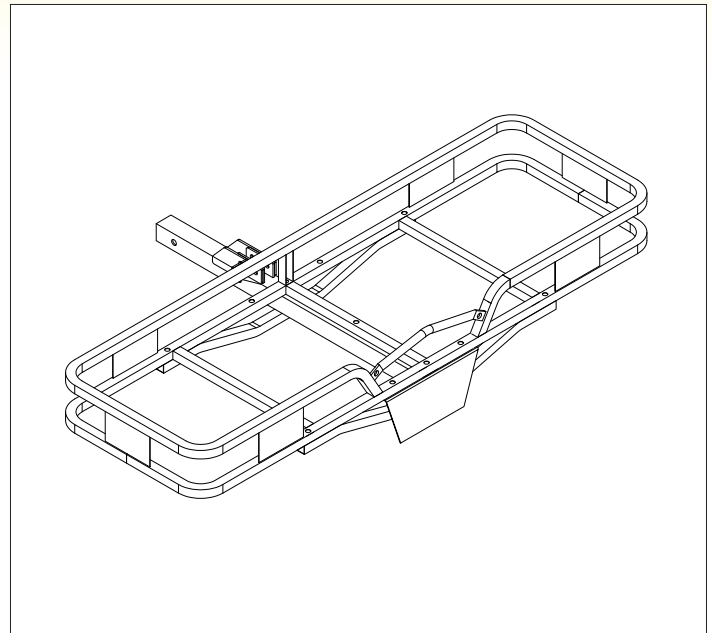
- Install Vertical (#11) and Horizontal (#12) supports.
- The Vertical Support (#11) is secured to the Base (#9) using 1 M12x90mm Bolt (#5) through the center hole using 1 Washer (#2), and 1 Nut (#3).
- Secure the outermost ends of the Horizontal Supports (#12) with 4 M12x65mm Bolts (#1) using 4 Washers (#2), and 4 Nuts (#3).
- Connect the Vertical and Horizontal supports to each other. Use 2 M12x120mm Bolts (#4) with 2 Washers (#2), and 2 Nuts (#3).

Installation Cntd.



Step 3

- Mount Hitch Receiver (#10) and Upper Plate (#14)
- Install the Upper Plate (#14) to the Base (#9) using 2 M12x40mm Bolts (#6) with 2 Washers (#2), and 2 Nuts (#3).
- Secure the Hitch Receiver (#10) to the Longitudinal Support (#11) using 1 M12x80mm Bolt with 1 Washer (#2), and 1 Nut (#3).
- This carrier can be tilted upright when not in use. To secure the carrier in either position, the Safety Pin (#8) is used.



Step 4

- With the carrier fully assembled secure all of the hardware.
- To install the Hitch-Mounted Carrier to your vehicle, slide the hitch receiver into your vehicle's hitch mount and secure with a hitch pin.