

## REPLACEMENT PARTS

Hydraulic Ram .....	W41035-1
Pivot Pin .....	W41035-2
Pump Pedal .....	W41035-3
Locking Pin .....	W41035-4
Handle .....	W41035-5
Steel Casters .....	W41035-6
Steel Wheel .....	W41035-7
Load Surface Pad .....	W41035-8

### 1 YEAR LIMITED WARRANTY

PERFORMANCE TOOL extends only the following warranties, and only to original retail purchasers. These warranties give specific legal rights. Except where prohibited by local law, the law of the State of Washington governs all warranties and all exclusions and limitations of warranties and remedies. There may be other rights which vary from state to state.

PERFORMANCE TOOL warrants the product to be free from defects in materials and workmanship under normal use and service. A defective product may be returned for a free replacement within 1 year from the date of purchase, provided that product is returned to place of purchase immediately after discovery of defect. These warranties shall be valid only when a sales receipt showing the date of purchase accompanies the defective product being returned.

These warranties exclude blades, bits, punches, bulbs, fuses, grinding wheels, belts, and other consumables which must be replaced under normal use and service. These warranties shall not apply to any product or part which is used for a purpose for which it is not designed, or which has been repaired or altered in any way so as to affect adversely its performance or reliability, nor shall these warranties apply to any product or part which has been subject to misuse, neglect, accident or wear and tear incident to normal use and service.

PERFORMANCE TOOL does not authorize any other person to make any warranty or to assume any liability in connection with its products.

Except for warranties of title and the limited express warranties set forth above, PERFORMANCE TOOL makes no express or implied warranties of any kind with respect to its products. In particular, PERFORMANCE TOOL makes no implied warranty of merchantability and no implied warranty of fitness for any particular purpose, except that for goods purchased primarily for personal, family or household use and not for commercial or business use, PERFORMANCE TOOL makes an implied warranty of merchantability (and, if otherwise applicable, an implied warranty of fitness for a particular purpose), but only for the particular qualities or characteristics, and for the duration, expressly warranted above. The laws on limitation of implied warranties may differ from state to state, so the above limitations may not apply in all cases.

PERFORMANCE TOOL shall not be liable for consequential, incidental or special damages resulting from or in any manner related to any product, or to the design, use, or any inability to use the product. The sole and exclusive remedy for a defective product or part shall be the repair, or replacement thereof as provided above. The laws on limitation of remedies or on consequential, incidental or special damages may vary from state to state, so the above limitations may not apply in all cases.

Copyright © 2008 • PERFORMANCE TOOL • P.O. Box 88259 • Tukwila, WA 98138  
– All rights reserved

# Multi-Purpose Lift

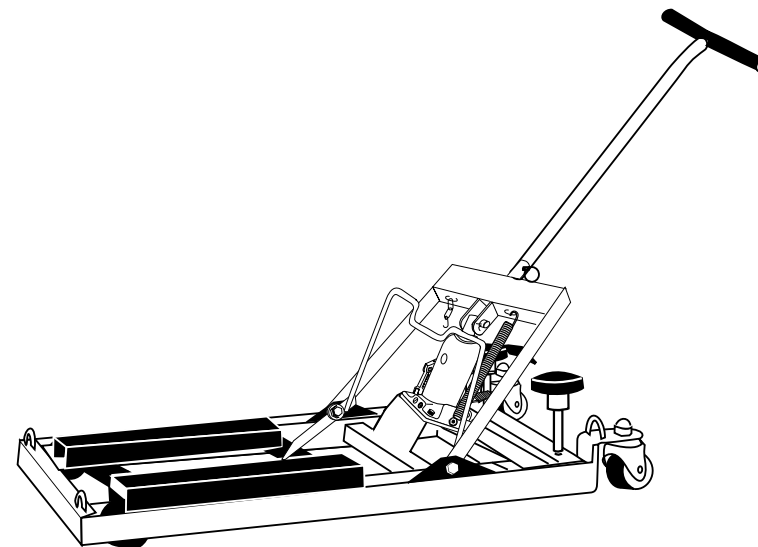
## 1,250 lb. Capacity

Stock Number W41035

## OWNER'S MANUAL

### Table of Contents

Safety Information .....	2
Specifications .....	3
Package Contents .....	3
Assembly Instructions .....	3-6
Operation .....	6
Troubleshooting .....	7
Care and Maintenance .....	7
Replacement Parts .....	8
Warranty .....	8



**FOR YOUR SAFETY,**  
please read these instructions carefully and retain them for future use.

**Performance  
Tool®**

Read these safety warnings before operation.



**WARNING!**

Failure to heed these warnings may result in loss of load, damage to lift, and/or lift failure resulting in personal injury or property damage.



**WARNING!**

- This is a lifting device only. Load must be supported immediately by Safety Bar and other appropriate device.
- Do not overload lift beyond rated capacity. Overloading can cause damage to or failure of the lift.
- REFER TO LIFTING PROCEDURES IN THE OWNERS MANUAL FOR THE ITEM YOU ARE LIFTING. Lift only on areas as specified by the manufacturer.
- This lift is designed for use only on hard level surfaces capable of sustaining the load. Use of lift on other than hard level surfaces can result in lift instability and possible loss of load.



**WARNING!**

- NEVER ATTEMPT TO RAISE THE LIFT WHILE THE TIE DOWNS ARE ATTACHED TO THE LOAD.
- Leveling bolts are intended to fix the unit to the ground and avoid movement while lifting a load. DO NOT use them as stabilizers.
- USE included straps to secure the load to the lift.
- INSURE the safety levers are engaged when load is raised to prevent accidental lowering.
- DO NOT make any alterations to this product.
- LOWER LIFT as much as possible before moving lift while supporting a load.
- KEEP FINGERS, HANDS AND FEET AWAY from the lift arms and other moving parts.
- NEVER lift the load without first assuring that it is properly balanced and secure on the lift.

**HOW TO TIE DOWN A LOAD**

1. Attach the long strap hook to one of the anchors on the base of the lift.
2. Attach the ratcheting unit hook to a solid, non-moving part on the top of the load. You may use one of the black strap loops provided to pass around your motorcycle or jet ski handle bar to prevent paint scratches. Then hook the ratcheting unit to it.
3. Feed the free end of the long strap through the ratchet reel and pull it by hand until it tightens.
4. Tighten the strap by ratcheting the handle back and forth until load is well secured. There must be a minimum of two full turns of strap around the reel.
5. To lock the ratchet, make sure to pull the handle until it points upwards.
6. To release, pull back the release bar on the ratcheting unit and fully open handle to a 180° angle (pointing downwards).
7. Repeat this step on all four ends of the lift.

**CARE & MAINTENANCE**

For best results, use only hydraulic fluid with a rating of SAE 10 for refills. Check fluid level with jack in fully down position. Fluid level should be up to bottom of oil fill plug. (See instructions on ram)

- Regularly check for loose, worn or damaged parts and repair or replace as necessary.
- Replace worn or damaged parts with Performance Tool replacement parts.
- Be sure that only qualified personnel perform repairs.
- Keep lift dry and clean, lubricate moving parts periodically.
- Check nuts and bolts to be sure they are snug, but not binding the moving parts.

**TROUBLESHOOTING**

Your Performance Tool Multi-Purpose Lift was constructed with quality materials and workmanship and will give you many years of trouble free use when cared for. However, as with any mechanical device, periodic adjustments are necessary to maintain a peak level of performance. Should your lift display any of the following symptoms, the simple procedures shown below will correct the problem.



**WARNING!** Remove jack from lift before making adjustments

- WILL NOT LIFT LOAD
- WILL NOT HOLD LOAD
- WILL NOT LIFT TO FULL HEIGHT
- PUMP FEELS "SPONGY"

X	X	X
		X
X	X	
X	X	

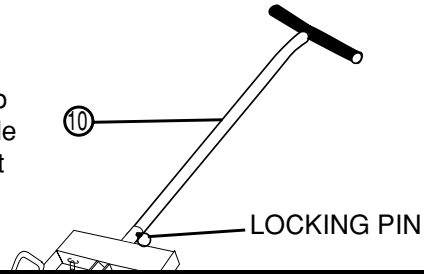
Power unit may be low on fluid. With jack on level surface and in down position, remove filler plug and add clean hydraulic jack fluid to level of filler hole.

Power unit may be airbound. Depress release valve. Pump the handle a minimum of 20 full strokes to purge the air from the system.

Valves may not be closing completely. To seat valves:  
 a) Close release valve.  
 b) With jack in fully lowered position, manually raise ram/extension as high as possible.  
 c) Open release valve and allow jack to descend to lowered position.

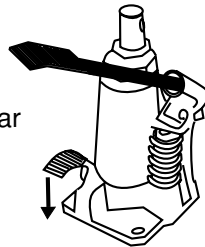
## ASSEMBLY CONT.

9. To attach Handle (10), remove locking pin with ring from Ram Support (3) and insert handle into hole. Align the holes on the handle with the holes on the ram support and fasten with locking pin.



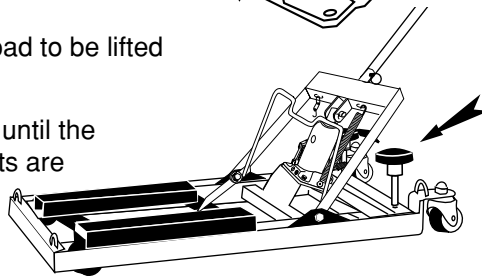
## OPERATION

1. To lower the Multi-Purpose Lift, gently depress the valve release lever located on the bottom left side of the hydraulic ram. If the jack is lifted high enough that the safety bar is engaged, the jack must be raised higher to allow the safety lever to disengage in order to lower the jack

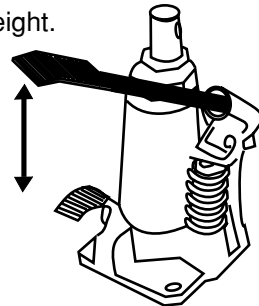


2. Position the jack under the load to be lifted while in the fully down position.

3. Turn leveling bolts clockwise until the wheels nearest the leveling bolts are slightly off the ground.



4. To raise the lift, repeatedly depress on the pump pedal until the load has reached desired height. To avoid accidental lowering, ensure that the safety levers engage into the slots built into the frame base. Gently depress the lowering lever to allow the safety levers to lock into place.



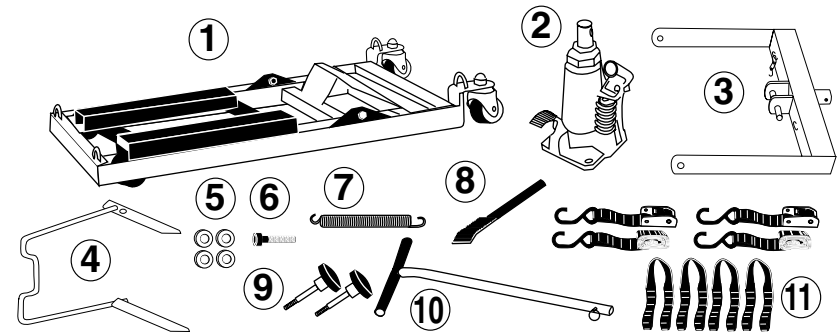
5. Use the universal tie downs (11) included with your multi-purpose lift to secure the load. Anchors are located at each corner of the lift. Place vinyl covered hooks on anchors and solid non-moving part on top of load. Thread web through cam buckle and pull tight. Hooks and buckles must be in line with direction of pull. Loop straps are also provided to prevent scratching of the lifted item. Secure loop straps to load and connect to tie down before pulling tie down tight.



## SPECIFICATIONS

Lift Range	4-3/4" to 16-1/2"
Maximum Load	1,250 lbs.
Clearance	4-3/4"
Dimensions (without handle)	36" X 15-1/2" X 15-1/2"
Load Surface	13-1/4" X 14-1/2"

## PACKAGE CONTENTS



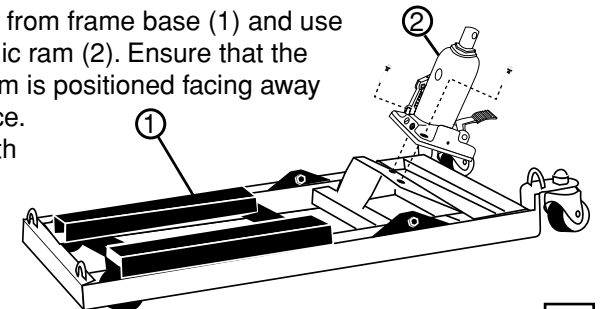
## PARTS LIST

ITEM #	Description	Qty.
1.	Frame Base	1
2.	Ram	1
3.	Ram Support	1
4.	Safety Bar	1
5.	Washer's	4
6.	Hex Screw	1
7.	Return Spring	1
8.	Pump Pedal	1
9.	Leveling bolt's	2
10.	Handle	1
11.	Universal tie down's	4

The following tools (not included) are needed to assemble:  
17mm & 19mm wrench or socket, 5mm & 6mm hex key, Phillips screwdriver.

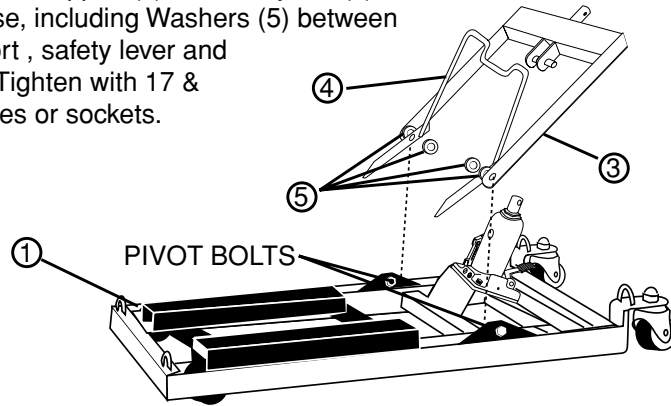
## ASSEMBLY INSTRUCTIONS

1. Remove hex screws from frame base (1) and use them to attach Hydraulic ram (2). Ensure that the release lever on the ram is positioned facing away from the loading surface. Tighten hex screws with a 6mm hex key.

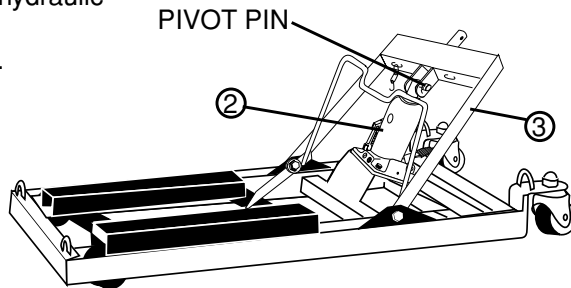


## ASSEMBLY INSTRUCTIONS CONT.

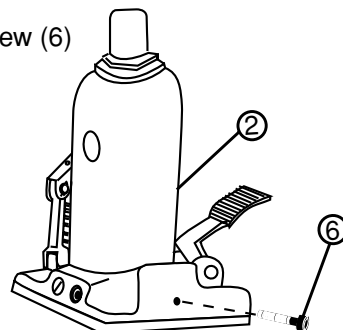
2. Remove nuts from pivot bolts on Frame Base (1). Connect the Ram Support (3) and Safety Bar (4) to the Frame Base, including Washers (5) between the ram support, safety lever and pivot bolt nut. Tighten with 17 & 19mm wrenches or sockets.



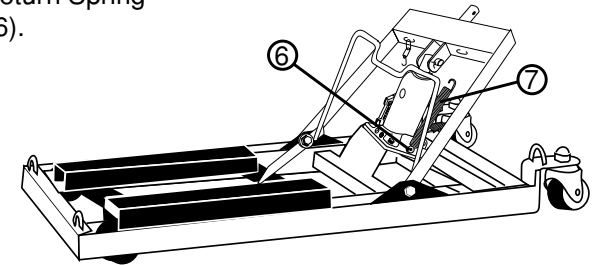
3. Remove lock pin from Hydraulic Ram (2) and connect Ram Support (3) to the hydraulic ram lifting arm using pivot pin. Make sure the hydraulic ram is in the lowest position by pushing on the release lever while pushing down on the hydraulic ram lifting arm. Fasten with cotter pin.



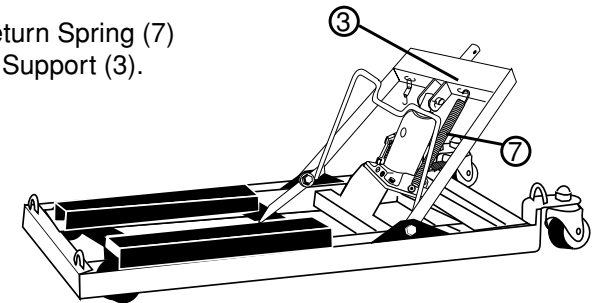
4. With a 5mm hex key, attach the Hex Screw (6) into the side of the Hydraulic Ram (2).



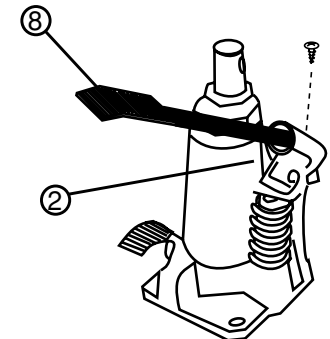
5. Attach one end of Return Spring (7) to the Hex Screw (6).



6. Pull other end of Return Spring (7) up and attach to Ram Support (3).



7. Remove phillips screw from Pump Pedal (8) and insert tube end of foot pedal into pump assembly on Hydraulic Ram (2). Fasten securely with phillips screw.



8. Insert adjustable Leveling Bolts (9) into provided holes on Frame Base (1).

