

Made in America

Lifetime Guarantee



Thank you for purchasing this instrument from Intellitronix. We value our customers!

INSTALLATION GUIDE
LED Digital Gear Shift Indicator
Part Number: GI001

*** Always disconnect the battery *before* attempting any electrical work on your vehicle.***



KIT COMPONENTS

3 – 10x32 x 3/4 Phillips head screws

2 – 10x32 Nylock nuts

1 – 10x32 x 3/8 screw

4 – nylon washers

1 – 3/8" long nylon spacer

1 – 3/8 lock washer

5 – Shift linkage parts

1 – Gear selector sender

1 – Connector – for shift sender

WIRING INSTRUCTIONS

Note: Automotive circuit connectors are the preferred method of connecting wires. However, you may solder if you prefer.

Ground – Black--This is the main ground for the display system. A wire should be run from this board to the vehicle engine block for the best ground. Use 18 AWG or larger wire to ensure sufficient grounding. Proper vehicle grounding is extremely important for any gauges (or electronics) to operate correctly. The engine block should have heavy ground cables to the battery, frame, and firewall. Failure to properly ground the engine block, senders, or digital dash can cause incorrect or erratic operation.

Power - Red Connect to a switched +12V source such as the ignition switch.

Dimmer - Purple Connect to the parking lights to dim the LEDs 50% when the headlights are on. However, **do not** connect to the headlight rheostat control wire; the dimming feature will not work properly.

Brake – Tan--Connect to the parking brake wire from the dash to negative side of parking beak light switch. **NOTE--**If you are using a one wire switch you may need to switch to a two wire switch. This wire is an optional wire some vehicles may not require

Check - Engine - Green/Yellow - This will require checking the wiring diagram pertaining to the computer (ECM, PCM, ECU) that you are using. To activate the CEL, the green/yellow wire to the gauge gets grounded by the computer. In other words, this is a ground activated circuit. If your vehicle is not computer equipped then you may simply seal the end of the wire, and do not use

Turn - Signals – Grey--Two 18-gauge wires, one for each signal. Connect each wire to its corresponding indicator circuit. When looking from front of cluster RIGHT Grey wire is for right turn and LEFT Grey wire is for

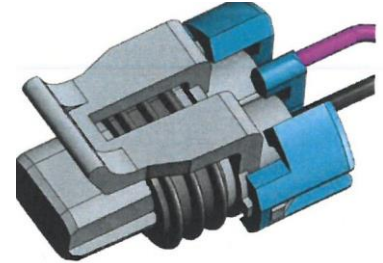
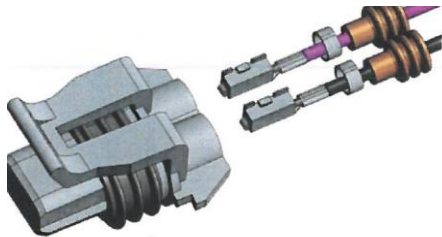
Brown - High Beam Indicator – Power wire off high beam circuit to activate the Indicator when High beam is on.

Wiring Transmission Gear Position Sensor:

After the sending unit has been installed and the black and violet wire have been fed through the firewall, attach the purple and black wire to the connector housing and add the lock

1 Insert the terminals into the connector housing. Match the violet and the black on the connector to the other connector to make the sender works correct.

2--Place lock on back to hold wires in place.



MACHT COLORS ON CONNECTOR NOT DRAWING

Gear Indicator Programming

Programming – Blue - When the gear indicator has not been programmed for a specific car, you will see a question mark when you turn it on. To set it for the first time, or to reprogram it, perform the following steps:

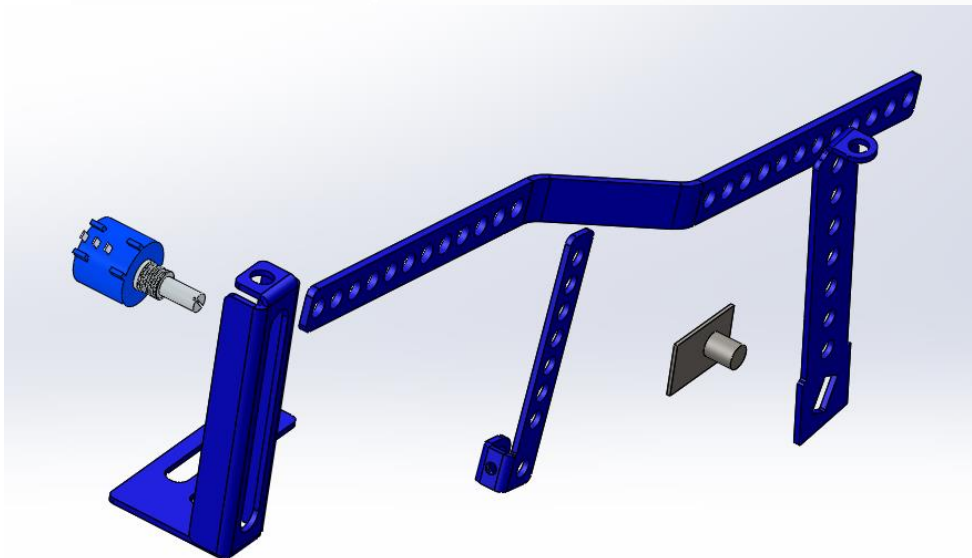
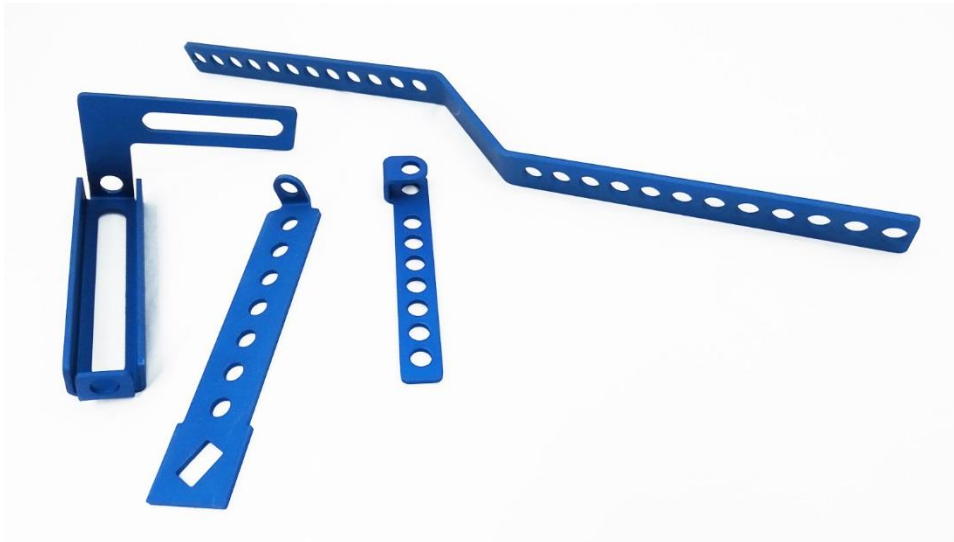
1. Power off the gear indicator, then hold the blue programming wire to a good car ground, or to the bare ground wire from the gear indicator.
2. Power on the gear indicator while holding the programming wire to ground.
3. After you see a question mark, release the blue programming wire from ground.
4. Then ground the programming wire again. You will see gear letters appear one at a time.
5. When you see the gear letter that represents the gear your car is in right now, release the programming wire from ground. After a few seconds, you will see that letter blink, indicating that letter is saved for this gear position. (The first letter is “P”. Holding the wire at ground will go through all the letters/numbers and start over again at “P”.) If you make a mistake, you can redo a gear by holding the wire to ground until the correct letter appears, releasing the wire from ground, and waiting for it to blink.
6. Shift your car into the next gear.
7. Hold the programming wire on ground until you see the letter/number for this next gear.
8. Release the wire from ground and wait until the letter blinks.
9. Continue for all the gears.

Make sure the blue programming wire does not touch ground again (electrical tape, etc.). Power down the gear indicator and power it back on. Shift through all the gears and check the gear indicator functions as desired. You can always reprogram it starting with step one

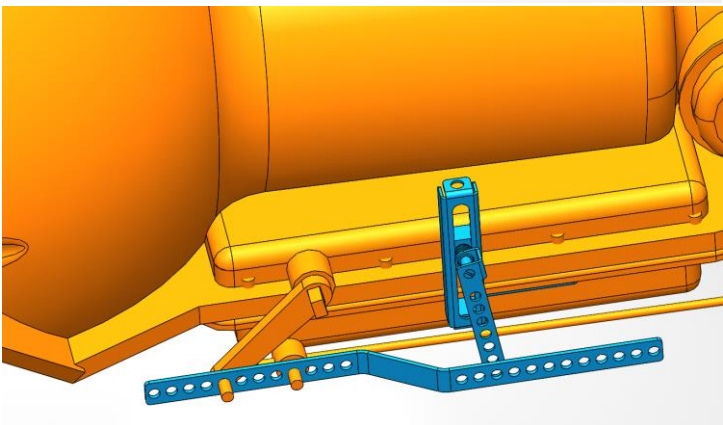
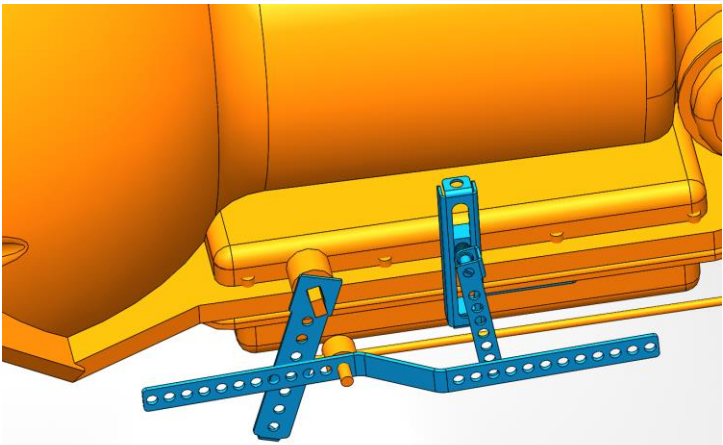
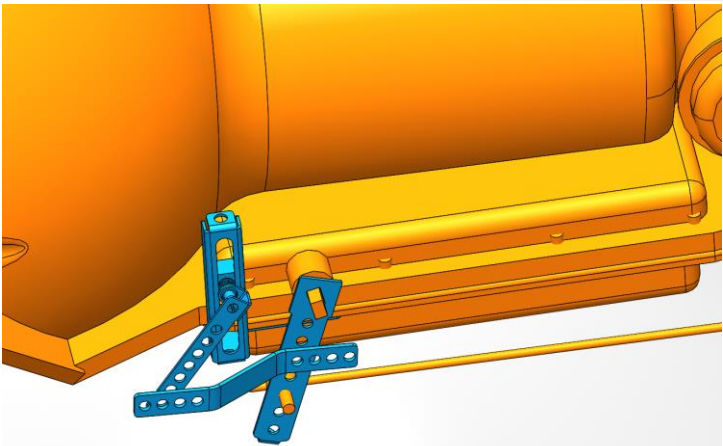
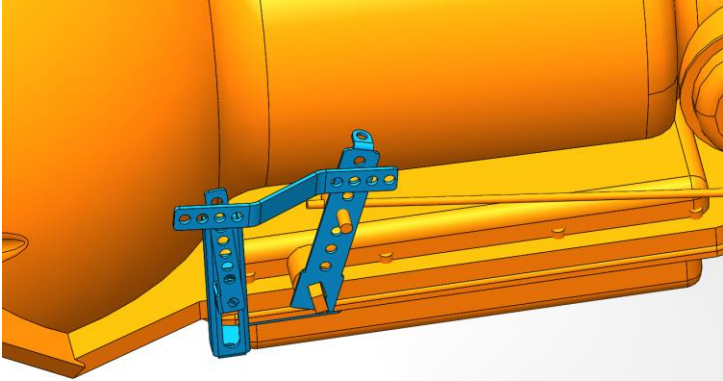
GEAR SHIFT LINKAGE ASSAMBLEY

We have provided you with linkage parts to install the sensor that provides signal to gauge. Pick location on Transmission pan rail to mount sensor bracket. Remove bolt out of pan to check length through sensor bracket and provided nylon spacer. If you don't have 3/8 of thread past spacer THEN REPLACE BOLT so it can be properly torque down to Transmission pan specifications.

The linkage should line up and not have a bind on it. After hooking linkage up run through the gears to check fitment for a bind before final hook up and programing You can softly modify linkage to fit and trim off any length that may be interfere with movement. REMEMBER MEASURE TWICE CUT ONCE!!



The examples below are for guiding you on your installation of your new Gear Shift Indicator.



Made in America

Lifetime Guarantee



Technical Support

Monday – Friday

9am to 5 pm EST

(440) 359 7200

support@intellitronix.com

FOR QUICK HELP CHECK OUT WEBSITE Q&A PAGE FOR SOME HELP.



This product carries a limited Lifetime Warranty.

This warranty is limited to replacement or repair of the unit at the discretion of Intellitronix.

RETURN POLICY PROCEDURES

Return Policy Instructions

1. Download the Intellitronix Return/Repair Form and fill in the information on the form about the product.
2. Place the product being returned in the original packaging that it came in and include a copy of the completed Intellitronix Return/Repair Form.
3. All packages must be accompanied with an RMA Number.

Please call Technical Support at +1 440-350-7200 to receive an RMA Number.

4. Mail the product being returned with the completed Return/Repair Form and a copy of the original sales invoice.

Request for Product Refund

1. All returns for a refund must have a completed Intellitronix Return/Repair Form included in the package with the returned product.
2. If the return is for a product that is not defective a 20% restocking fee will be charged. The product must be in the same pristine condition that it was sent to you.
3. Proof of purchase is required. Please include a copy of the original sales order with the returned product.
4. All product must be returned undamaged and in working order in the original packaging including plexiglass, sending units, mounting hardware, or you will be subject to additional charges for product and accessories not returned.
5. All refunds will be reviewed by the Accounting Office.