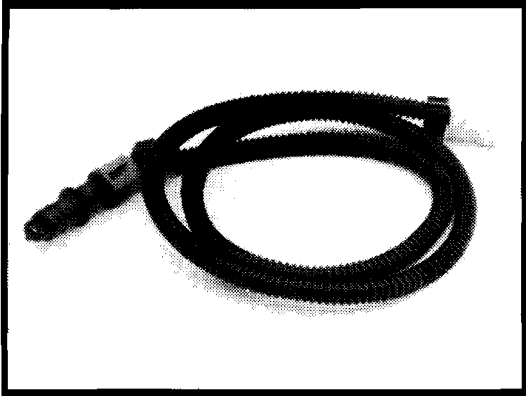




INSTALLATION INSTRUCTIONS FOR IAT RELOCATOR KIT



TECHNICAL ASSISTANCE 1-714-848-5515

17491 Apex Circle
Huntington Beach, CA 92647
Phone: (714) 848-5515 • Fax: (714) 847-6290

Installation Procedures...

1996 - UP GM CK SERIES TRUCK

Information About Your...

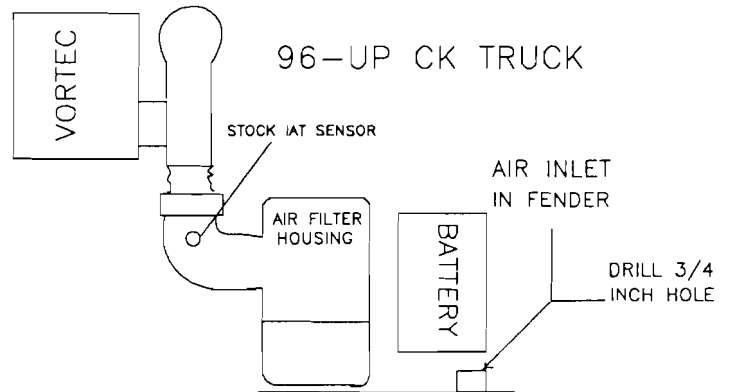


IAT RELOCATOR KIT

The JET IAT Relocator kit moves the inlet air temperature sensor to a different location in the air intake system so that the air charge signal is picking up a cooler air temperature.

By putting the IAT in a cooler location, the signal to the computer allows the program to adjust ignition timing and air fuel ratio for the cooler air temperature, and provides for improved performance.

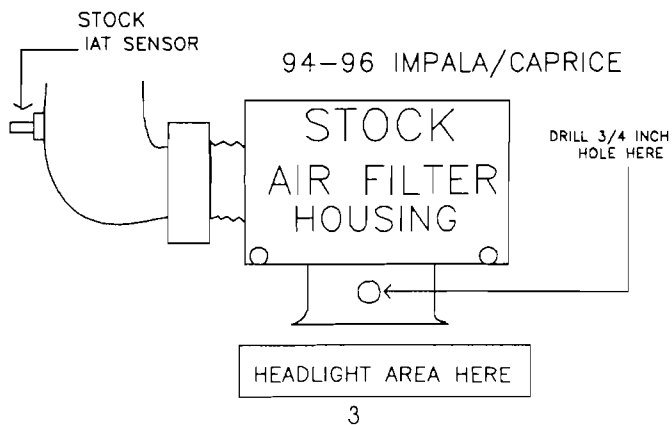
1. Locate stock IAT sensor (see drawing).
2. Unplug the stock wiring harness from the sensor. Leave the stock sensor in place.
3. Connect the JET wire harness to the stock harness and route it so that it ends up at the air inlet behind the battery.
4. Drill a 3/4 inch hole in the plastic air inlet that is inside the fender right behind the battery (see drawing).
5. Install the supplied grommet in the 3/4 inch hole.
6. Plug the new IAT Sensor into the grommet and connect the new wiring harness.



Installation Procedures...

1994-1996 IMPALA SS/CAPRICE

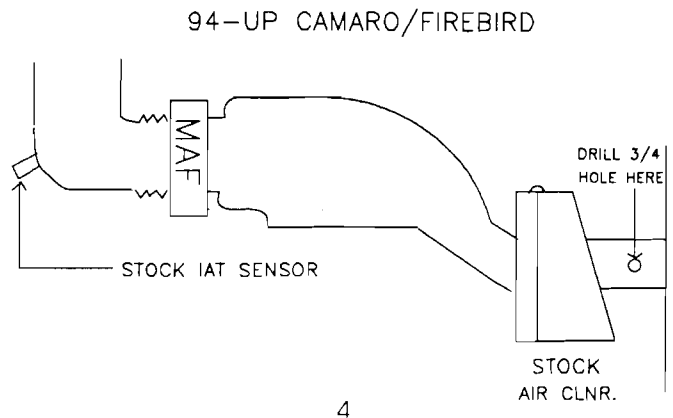
1. Locate stock IAT sensor (see drawing).
2. Unplug the stock wiring harness from the sensor. Leave the stock sensor in place.
3. Connect the JET wire harness to the stock harness and route the wire so the other end is in front of the stock air filter housing.
4. Drill a 3/4 inch hole in the plastic air inlet in front of the stock air filter housing (see illustration below).
5. Install the supplied grommet in the 3/4 inch hole and plug the new sensor into the grommet.
6. Plug the new wiring harness into the new sensor.



Installation Procedures...

1994-UP LTI CAMARO/FIREBIRD

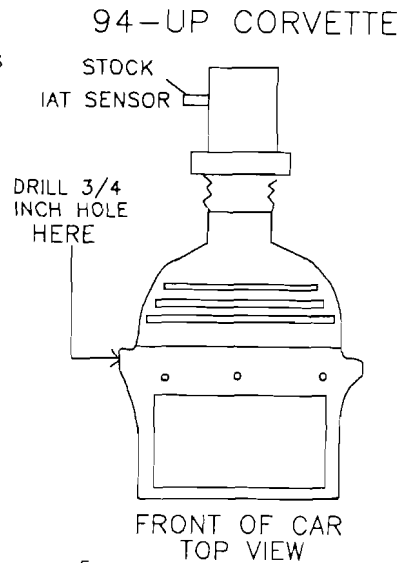
1. Locate stock IAT Sensor (see illustration).
2. Unplug the stock wiring harness from the sensor. Leave the stock sensor in place.
3. Connect the JET wiring harness to the stock harness and route the wire so the other end is where the new hole will be (see illustration).
4. Drill a 3/4 inch hole in the plastic air inlet that connects to the air cleaner housing from the fender. (This is easier if you remove the air cleaner assembly.)
5. Install the supplied grommet in the 3/4 inch hole and plug the new sensor into the grommet.
6. Plug the new wiring harness into the new sensor.



Installation Procedures...

1994 - UP CORVETTE

1. Locate the stock IAT Sensor (see illustration).
2. Unplug the stock wiring harness from the sensor. Leave the stock sensor in place.
3. Connect the JET wiring harness into the stock harness and route the wire so the other end is where the new hole will be drilled.
4. Remove the air filter cover and remove the air box from the car. Drill a 3/4 inch hole as shown in the illustration.
5. Insert the supplied rubber grommet in the new hole and plug the new IAT Sensor into the grommet.
6. Plug the new wiring harness into the new sensor.



Place this card in the glove box along with the vehicle registration and/or warranty

The information shown below is provided for future reference

Jet Powertech Performance Product

The product for which this document was issued is emission-sensitive and is subject to certain federal and state regulations; the manufacturer has assigned an identification color code designating its intended use.

designation is: **1** COLOR CODE GREEN

The product accompanying this document has been guaranteed a California Air Resources Board (ARB) exemption, an "EO" number, or is a direct or consolidated replacement part. It is 50-state legal, per the manufacturer's application guide.