



# Installation Instructions

## Complete Top Frame & Hardware

### With Soft Upper Doors

### 87-95 Jeep Wrangler

#### IMPORTANT NOTICE:

Carefully read instructions before attempting to install this product. Rampage Products is in no way responsible for any damage to the vehicle or personal injury that may occur during the installation or use of this product.

#### WARNING

**This product is designed to enhance the appearance of the vehicle and only for protection against the elements. Do not rely on this product to contain occupants within the vehicle or to protect against injury during an accident.**

**WEAR SEAT BELTS AT ALL TIMES**

#### INCLUDED COMPONENTS

#### DESCRIPTIONS

<u>DESCRIPTIONS</u>	<u>QTY</u>			
Bow Assembly	1		Tailgate Bar	1
Windshield Channel	1		5/16" Tapping Plates	12
Side Belt Rail (Left & Right)	2		5/16" Flat Washers	12
Corner Belt Rail (Left & Right)	2		5/16" Torx Screws	12
Tailgate Brackets (Left & Right)	2		#10-24 x 1/2" Phillips Machine Scr	4
Connection Tubes	2		#10-24 Nylock Nuts	4
Soft Top	1		#10 Flat Washers	4
Behind Seat Tonneau	1		#10 Star Washers	4
Upper Door Windshield Inserts (L & R)	2		#8 x 1/4" Sheet Metal Screws	11
Soft Top Storage Bag	1		#8 x 1/2" Sheet Metal Screws	8
Off Road Organizer	1		#8 x 1" Sheet Metal Screws	2
Tailgate Weather strip	1		Side Rail Pin	2

#### SOFT TOP INSTALLATION TIPS

To help ease the installation, be sure to install the top when temperatures are above 70° F. The material shrinks substantially at lower temperatures and may become difficult to install. The top may seem wrinkled when first installed, this is caused by the fabric becoming wrinkled in shipping. It will relax after a few days on the vehicle.



## Replacement Top Hardware Installation Instructions

### Windshield Channel Installation

1. Position Windshield Channel onto vehicle as shown in Figure 1.
2. Once in position, secure Windshield Channel using the included (11) - #8 x 1/4" Sheet Metal Screws (Figure 1).  
**NOTE:** In some cases the holes on the Windshield Channel will line up with existing holes. In this case, ensure holes are not too large to install the new screws included in the package. If holes are too big, you must replace the included screws with larger screws, found at any local hardware store.  
If you are replacing a hardtop, use the Windshield Channel as a template to drill 1/8" holes.



Figure 1

**WARNING:** Ensure Windshield Channel is properly secured prior to installing the Soft Top. Damage to the vehicle or personal injury may occur if Windshield Channel is not securely mounted. Rampage Products is not responsible for personal injury or damage to the vehicle if Windshield Channel is not secured properly.

### Upper Door Windshield Upright Installation

3. Locate Driver Upper Door Windshield upright and position it on the side of the windshield. With Upper Door Windshield upright in position mark the vehicle through the holes (Figure 2).
4. Remove Upper Door Windshield upright and place aside. Carefully drill 1/8" holes on the marked locations.
5. Re-position Upper Door Windshield upright and secure it by using the included (4) - #8 x 1/2" Sheet Metal Screws (Figure 3).
6. Repeat steps 3-5 for opposite side.



Figure 2



Figure 3

### Side Belt Rail Installation

7. Locate Driver Side Belt Rail, (4) – 5/16" Torx Bolts, (4) – 5/16" Flat Washers, and (4) – 5/16" Tapping Plates. Position Side Belt Rail onto vehicle and secure it using the hardware listed in this step (Figure 4 & 5). Repeat this step for opposite side. (These should mount directly into factory pre-drilled holes)

Side Rail  
Mounting  
Location

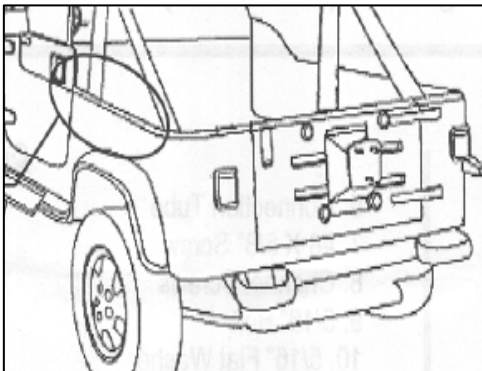


Figure 4



Figure 5

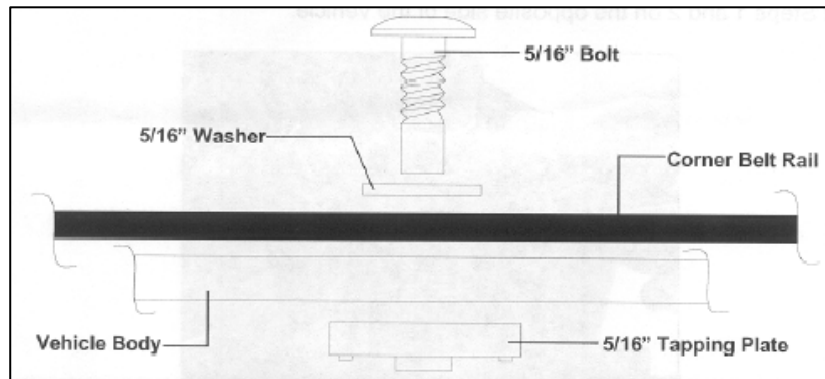


Figure 6

### Corner Belt Rail Installation

8. Locate Passenger Corner Belt Rail, (2) – 5/16" Torx Screws, (2) – 5/16" Flat Washers, and (2) – Tapping Plates. Position Corner Belt Rail onto vehicle and secure it by using hardware listed in this step (Figure 7 & 8). Repeat this step for opposite side. **Note:** There may be a slight gap between the Corner and Side Belt Rail. This is Normal.

Corner  
Rail  
Mounting  
Location

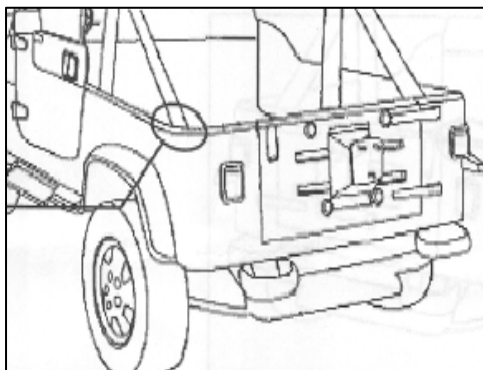


Figure 7



Figure 8

### Tailgate Brackets Installation

9. Locate Passenger Tailgate Bracket, (2) - #10-24 x 1/2" Phillips Machine Screws, (2) - #10 star lock washers, (2) - #10 Flat Washers and (2) - #10-24 Nylock Nuts. In some cases the holes on the Tailgate Bracket will line up with existing holes. In this case, use the existing holes as pilots to drill 3/16" holes on the vehicle. **NOTE:** Carefully check under the drilling area to be sure you do not drill into any concealed wiring.

**NOTE:** If you are replacing a hardtop, use the Tailgate Bracket as a template to drill 3/16" holes.

Position Tailgate Bracket and secure it by using the hardware listed in this step (Figure 9 & 10). Repeat this step for opposite side.

Tailgate  
Bracket  
Mounting  
Location

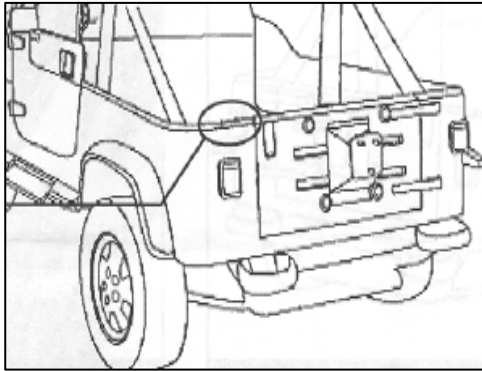


Figure 9



Figure 10

### Bow Assembly Installation

10. Lay Bow Assembly on a flat clean surface and identify the Front and Rear Bow.

**NOTE:** The Front Bow will include foam padding where as the rear will not.

11. Assemble the two halves of the Bow Assembly using the included Connection Tubes with push buttons (Figure 11). **NOTE:** It may be helpful to use a screw flat screwdriver to push down the buttons while sliding Bow halves together. Also, it may be helpful for two persons to slide both sides of the Bow Assembly forward simultaneously.

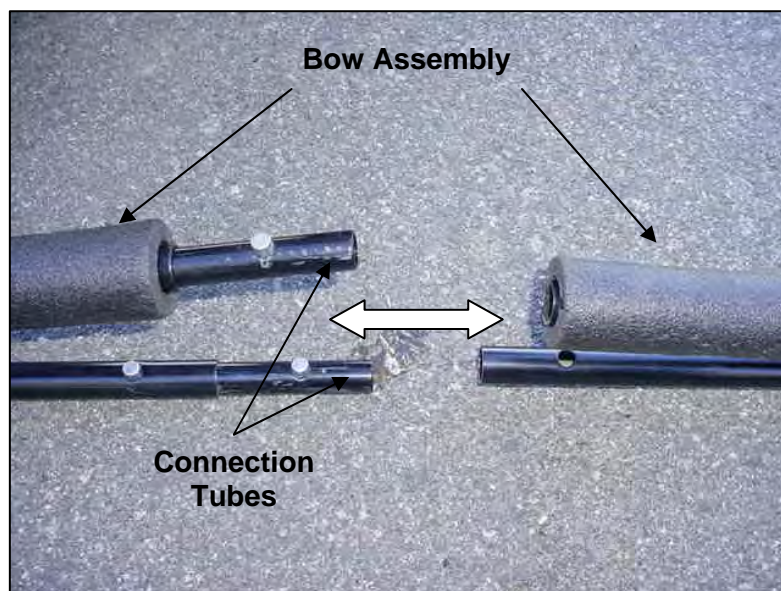
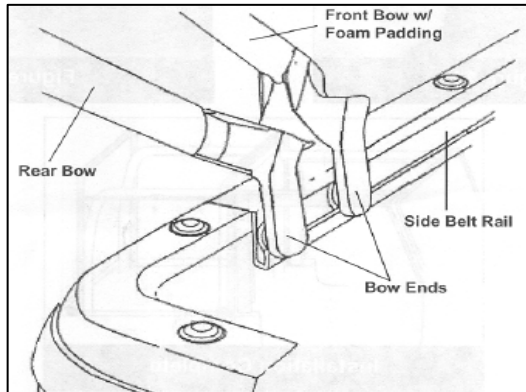


Figure 11

12. With the Bow Assembly secured together, slide the ends of the front and the rear bows into the tracks in the Side Belt Rails on each side of the vehicle (Figure 12 & 13). **NOTE:** Slide the Bow Assembly from the rear of the vehicle towards the front. Secure Bow Ends by Inserting Side Rail Pin into Side Rail (Figure 13)

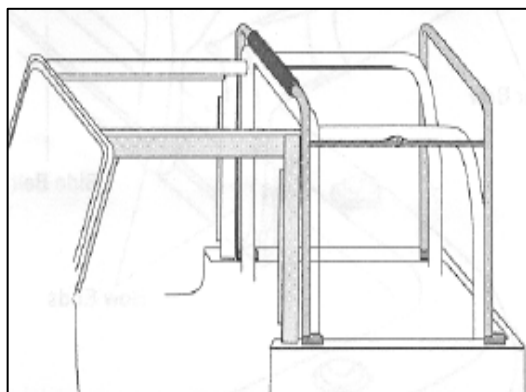


**Figure 12**



**Figure 13**

13. Unfold Passenger Upper Side Rail towards the front of the vehicle until it reaches the Passenger Upright Pin. Insert the plastic Upright's Pin through the Side Rail's hole and lock it in place by sliding the square clip to the opposite side (Figure 14 & 15). **NOTE:** Make sure the Upper Side Rail is properly secure prior to installing the soft top. Damage to the vehicle or personal injury can occur if not installed properly. Repeat this step for opposite side.



**Figure 14**



**Figure 15**

14. With the Bow Assembly in position, locate the Adjustable Spreader Bar. Secure it by inserting the steel pin through the hole of the spreader bar-straight pin portion facing inside the vehicle (Figure 16).

15. To loosen or tighten your soft top, locate the adjustable sleeve on the Spreader Bar and twist to tighten or loosen the soft top (Figure 17). **NOTE:** Ensure to adjust the spreader bar equally on both sides of the vehicle. The adjustable bar can be used to keep your soft top fabric tight in hot weather.



**Figure 16**



**Figure 17**

## Fabric Replacement Top Installation Instructions

1. Locate Top and remove rear quarter windows from top. Once you remove the windows orient it on the vehicle.  
**NOTE:** Install the Top with the spreader bar lowered (remove pin, lower Spreader Bar), front support bow all the way forward and rear support bow slightly forward to install the corners (Figure 1).
2. Snap the Top to the center and rear Bow Assemblies (Figure 2).



Figure 1



Figure 2

3. Insert the front of the top into the Windshield Channel (Figure 3).
4. Insert rear corners of top into rear Corner Belt Rail (Figure 4). **NOTE:** Make sure the plastic reinforcement is not caught under Corner Belt Rail.



Figure 3



Figure 4

5. Pull the bottom of the rear support bow back until it snaps into the notch in the Side Belt Rail (Figure 5).  
**NOTE:** Bow must slip into notch in Side Belt Rail.
6. Push the Spreader Bars up until they snap into place (Figure 6).



Figure 5



Figure 6

7. Start horizontal and vertical zippers on the Quarter Window about 4-6 inches (Figure 7).
8. Insert the plastic strip on the front of the Quarter Window into channel on the front support bow (Figure 7).
9. Insert the plastic strip on the bottom of the Quarter Window into the Side Belt Rail (Figure 7). **NOTE:** Start at one end of the strip and work along it to the other end. Close the horizontal and vertical zippers on the Quarter Window. Repeat this step for opposite side.



**Figure 7**

10. Open tailgate and attach rear window to top by closing the upper zipper only.
11. Locate Tailgate Bar and Rear Tonneau Cover. Slide extrusion on the Tonneau Cover into Tailgate Bar Rail as shown in Figure 8.



**Figure 8**

12. Once the Rear Seat Tonneau Cover is attached to Tailgate Bar, slide it into Rear Window extrusion located on the bottom of the rear window (Figure 9)
13. Close the Rear Window zippers. Push the Tailgate Bar into the top of the Tailgate Brackets (Figure 10).



**Figure 9**



**Figure 10**

14. Slip the plastic strip on the corner bottom of the Rear Window under the Tailgate Bracket (Figure 11).
15. Fasten snaps on the top, to studs along the track above the doors (Figure 12). Studs will slide to the proper location for the snap.



**Figure 11**



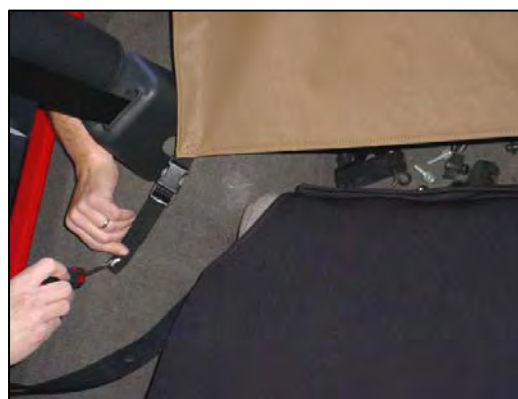
**Figure 12**

### **Tailgate Tonneau Installation**

16. Fold seat forward and position the Rear Seat Tonneau Cover. Use the hole on the strap as a guide to mark the hole on the fender (Figure 13)
17. Place strap aside and drill a 1/8" hole on the just marked locations. **NOTE:** Carefully check under drilling area to be sure you do not drill into any concealed wiring.
18. Re-position Rear Seat Tonneau Cover and attach both sides to the just drilled holes by using the included (2) - #8 x 1" Sheet Metal Screws (Figure 14)



**Figure 13**



**Figure 14**

19. Locate Weather Strip and attach it to tailgate by inserting tailgate into the channel on the Weather Strip (Figure 15). **NOTE:** Make sure the Weather Strip is fully engage before closing the tailgate.



**Figure 15**



## Upper Door Installation/Adjusting Instructions

20. Install the upper half door onto the vehicle door. Insert the bottom flap of the door fabric into the channel on the vehicle door.
21. Now tighten the bottom velcro to achieve the desired fabric to frame to retaining strip tension (Figure 15).

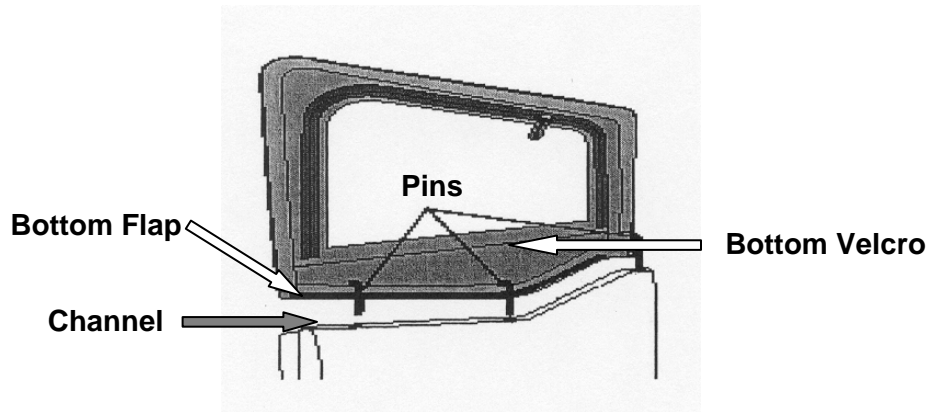


Figure 15

### LIMITED 2 YEAR WARRANTY

Applies to Complete Top by Rampage Products

Rampage Products (the company) warrants to the original purchaser of this product that should the product or any part thereof, under normal use and conditions, be proven defective in material or workmanship within 2 years from the date of original purchase, such defect(s) will be repaired or replaced (at the Company's option) without charge for parts or repair labor. Please note that installation labor to remove or install this product is not covered under this limited warranty.

To obtain repair or replacement within the terms of this Warranty, the product is to be delivered with proof of warranty coverage (e.g. dated bill of sale), specification of defect(s), freight pre-paid to the place of purchase or, you must contact Rampage Products at the number below for warranty service or to obtain a Return Goods Authorization Number. **NOTE:** Items returned to Rampage Products without an Authorized Returns Good Authorization number will be refused and returned back to sender at the senders expense.

This warranty does not apply to any product or part thereof which, in the opinion of the Company, has suffered or been damaged through alteration, improper installation, mishandling, misuse, neglect, accident or by acts of nature. THE EXTENT OF THE COMPANY'S LIABILITY UNDER THIS WARRANTY IS LIMITED TO THE REPAIR OR REPLACEMENT PROVIDED ABOVE AND, IN NO EVENT, SHALL THE COMPANY'S LIABILITY EXCEED THE PURCHASE PRICE PAID BY PURCHASER FOR THE PRODUCT.

This warranty is in lieu of all express warranties or liabilities. ANY IMPLIED WARRANTIES, INCLUDING ANY IMPLIED WARRANTY OF MERCHANTABILITY, SHALL BE LIMITED TO THE DURATION OF THIS WRITTEN WARRANTY. ANY ACTION FOR BREACH OF ANY WARRANTY HEREUNDER INCLUDING ANY IMPLIED WARRANTY OF MERCHANTABILITY MUST BE BROUGHT WITHIN A PERIOD OF 90 DAYS FROM DATE OF ORIGINAL PURCHASE. IN NO CASE SHALL THE COMPANY BE LIABLE FOR ANY CONSEQUENTIAL OR INCIDENTAL DAMAGES FOR BREACH OF THIS OR ANY OTHER WARRANTY, EXPRESS OR IMPLIED, WHATSOEVER. No person or representative is authorized to assume for the Company any liability other than expressed herein in connection with the sale of this product.

Some states do not allow limitations on how long an implied warranty lasts or the exclusion or limitation of incidental or consequential damage, therefore above limitations may not apply to you. This Warranty gives the purchaser specific legal rights. The purchaser may have additional rights, which vary from state to state.

Rampage Products  
9225 Stellar Court Unit C, CORONA, CA 92883-4919, U.S.A.  
Phone: (951) 277-4949 Fax: (951) 277-2295  
e-mail: [info@rampageproducts.net](mailto:info@rampageproducts.net)  
Web: [www.rampageproducts.net](http://www.rampageproducts.net)  
*Made in China*