



## INSTALLATION INSTRUCTIONS

# 57-1543

## DODGE / CHRYSLER

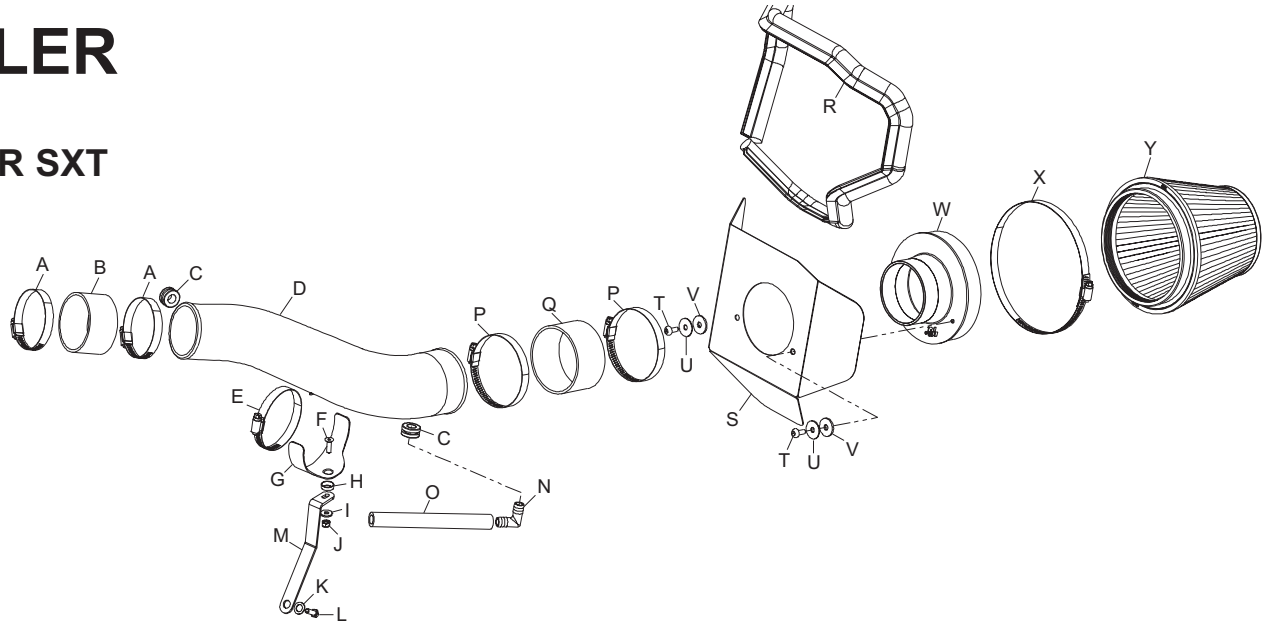
2005-07 MAGNUM SXT

2006-07 CHARGER, CHARGER SXT

2005-07 300 TOURING

2005-07 300 LIMITED

V6-3.5L



### TOOLS NEEDED:

Flat Blade Screwdriver  
Ratchet  
Extension  
10mm Socket  
17mm Socket  
4mm Allen

### PARTS LIST:

Desc.	Qty.	Part #	Desc.	Qty.	Part #	Desc.	Qty.	Part #
A hose clamp #44	2	08560	H cup washer	1	08180	O hose; 1/2" id x 7" L	1	08159
B hose; 3.0" id x 1.75" L	1	08190	I washer; 1/4" id x 5/8" od, flat	1	08275	P hose clamp #56	2	08620
C grommet	2	08064	J nut; 6mm nylock	1	07553	Q hose; 3.5" id x 2" L	1	08630
D intake tube (EO)	1	087155	K washer, 10mm wave	1	08175	R edge trim #44	1	102486
E hose clamp #48	1	08601	L bolt; 10mm hex	1	07702	S heat shield	1	074035
F bolt; 6mm f/h/a	1	08376	M bracket	1	010096	T bolt; 6mm b/h/a	2	07730
G saddle bracket	1	078855	N hose mender 1/2" 90	1	08065	U fender washer	2	08160
						V washer 1"x.300"x.100"	2	21685
						W filter adapter, #190	1	08806
						X hose clamp #104	1	08697
						Y air filter	1	RF-1048

**NOTE: FAILURE TO FOLLOW INSTALLATION INSTRUCTIONS AND NOT USING THE PROVIDED HARDWARE MAY DAMAGE THE INTAKE TUBE, THROTTLE BODY AND ENGINE.**

### TO START:

1. Turn the ignition OFF and disconnect the vehicle's negative battery cable.



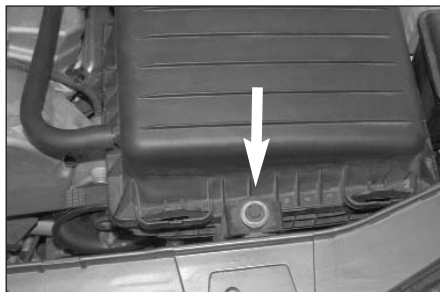
2. Unlock the red locking tab on the air temperature sensor electrical connection, then depress the locking lever and pull apart the temperature sensor electrical connection



3. Loosen the hose clamp that secures the intake tube to the throttle body and pull the intake tube off the throttle body.



4. Disconnect the crank case vent hose from the valve cover port as shown.



5. Loosen and remove the air box mounting bolt as shown.



6. Lift the complete intake and air filter assembly to remove it from the vehicle.  
**Note: K&N recommends that customers do not discard factory air intake.**



7. Assembly the tube-mounting bracket and saddle clamp as shown with the provided hardware.



8. Using the provided hardware, install the tube-mounting bracket onto the engine at the threaded hole in the cylinder head as shown.



9. Install the provided edge trim onto the heat shield as shown.

**NOTE: Some trimming of the edge trim may be necessary.**



10. Install the Air filter adapter onto the heat shield with the provided hardware as shown.

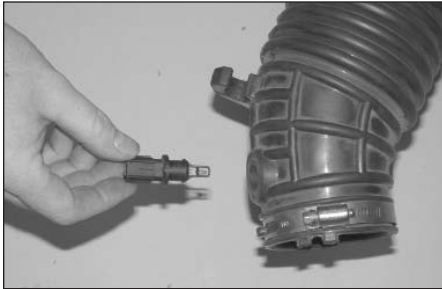
**NOTE: Be sure to use the rubber gaskets provided.**



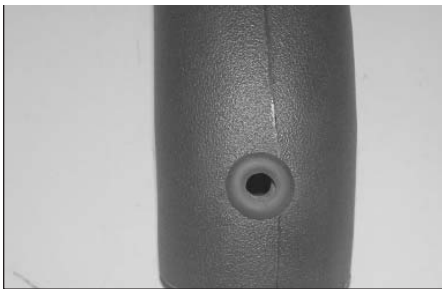
11. Install the K&N Air filter onto the filter adapter as shown.



12. Install the silicone hose (08630) onto the filter adapter and secure with the provided hose clamp as shown.



13. Remove the air temperature sensor from the factory intake tube.  
**NOTE: The air temperature sensor is very fragile, be careful when pulling the sensor out of the intake tube.**



14. Install the provided grommet into the small throttle body end of the intake tube.



15. Install the air temperature sensor into the grommet installed in step #14.



16. Install 2nd supplied grommet into the filter end of the K&N intake tube as shown.

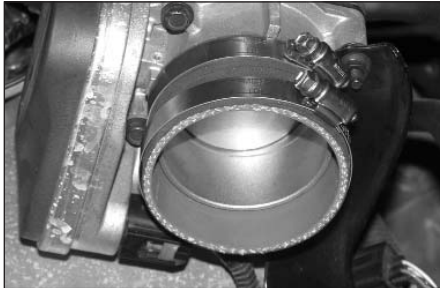


17. Install the provided elbow fitting into the grommet installed in step #16 as shown.



18. Install the Air filter assembly onto the K&N intake tube as shown.

**NOTE: Do not completely tighten the hose clamp at this time.**



19. Install the silicone hose (08190) onto the throttle body and secure with the provided hose clamp as shown.

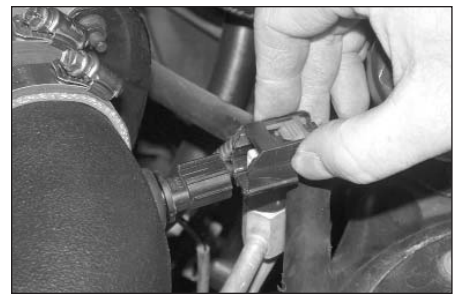


20. Install the K&N intake assembly into the silicone hose at the throttle body and onto the saddle clamp as shown, then secure with the provided hose clamps. Adjust the Air filter assembly for best clearance and tighten the hose clamp, which secures it to the K&N intake tube.



21. Install the provided silicone vent hose onto the valve cover vent and onto the elbow into the K&N intake tube as shown.

**NOTE: It may be necessary to trim the vent hose.**



22. Reconnect the air temperature electrical connection as shown.



23. Reconnect the vehicle's negative battery cable. Double check to make sure everything is tight and properly positioned before starting the vehicle.

24. The C.A.R.B. exemption sticker, (attached), must be visible under the hood so that an emissions inspector can see it when the vehicle is required to be tested for emissions. California requires testing every two years, other states may vary.

25. It will be necessary for all FIPK's to be checked periodically for realignment, clearance and tightening of all connections. Failure to follow the above instructions or proper maintenance may void warranty.

#### ROAD TESTING:

1. Start the engine with the transmission in neutral or park, and the parking brake engaged. Listen for air leaks or odd noises. For air leaks secure hoses and connections. For odd noises, find cause and repair before proceeding. This kit will function identically to the factory system except for being louder and much more responsive.

2. Test drive the vehicle. Listen for odd noises or rattles and fix as necessary.

3. If road test is fine, you can now enjoy the added power and performance from your kit.

4. K&N suggests checking the Air filter element periodically for excessive dirt build-up. When the element becomes covered in dirt (or once a year), service it according to the instructions on the Recharger service kit, part number 99-5050 or 99-5000.