



AIRCHARGER®

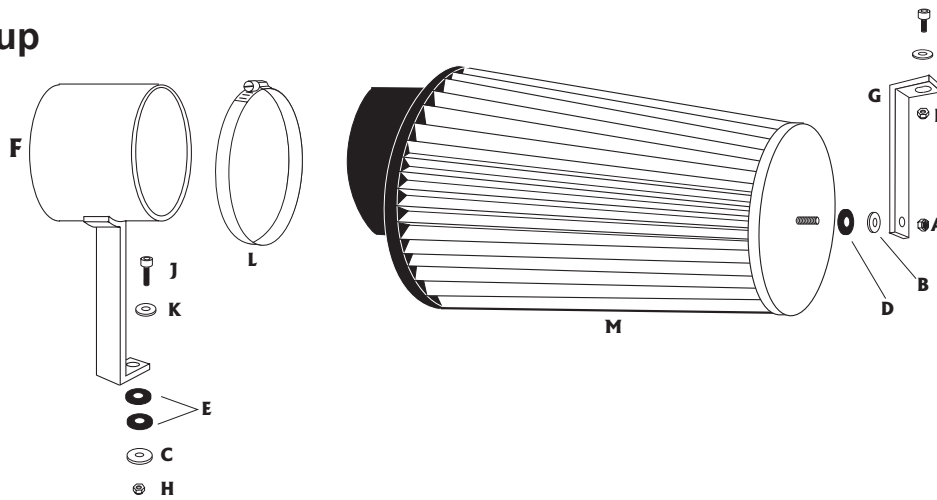
INSTALLATION INSTRUCTIONS

57-2517

Ford Lightning Pickup 1993-95 V8-5.8L

TOOLS NEEDED:

- drill
- 1/4" drill bit
- 5/16" nut driver or socket
- 10mm wrench
- 5mm allen wrench
- 7/16" wrench
- ratchet
- socket extension
- flat blade screwdriver



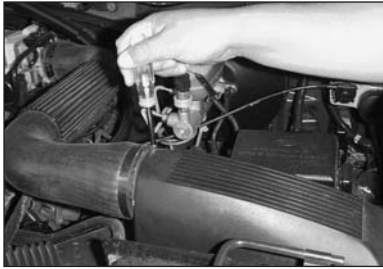
PARTS LIST:

A	1/4-20 nylock nut	1	07517
B	Fender washer, 1"od	1	08160
C	Fender washer, 1.25"od	1	08151
D	Rubber washer, 1"od	1	21685
E	Rubber washer, 1.25"od	2	21708
F	Adapter Tube/Bracket	1	07943
G	Bracket, "L"	1	07109
H	6mm nylock nut	2	07553
I	6mm allen bolt, 16mm long	1	07818
J	6mm allen bolt, 25mm long	1	07859
K	Flat washer 1/4" id	2	08275
L	Hose clamp #60	1	08624
M	Filtercharger element	1	RF-1003

NOTE: FAILURE TO FOLLOW INSTALLATION INSTRUCTIONS AND NOT USING THE PROVIDED HARDWARE MAY DAMAGE THE INTAKE TUBE, THROTTLE BODY AND ENGINE.

TO START:

1. Turn the ignition OFF and disconnect the vehicle's negative battery cable.



2. Loosen the hose clamp at the air cleaner assembly as shown.



3. Loosen and remove the two bolts that secure the air cleaner assembly.



4. Detach the air inlet duct from the air cleaner assembly, then remove the air cleaner assembly.



5. Install the tube adapter provided into the stock intake hose as shown.



6. Using the hardware provided, install the "L" bracket onto the stud located on the top plate of the filtercharger element.



7. Install the filter assembly on to the tube adapter as shown.
NOTE: Do not tighten completely at this time.



8. Line up the bracket with the fender as shown, then mark the hole.
NOTE: Repeat this process with the tube adapter bracket, then remove the filter assembly.



9. Using a drill and a 1/4" bit, bore both locations marked in the previous step.



10. Drill a hole in the air inlet duct and zip tie it to the original hole in fender well.



11. Using the hardware provided, secure the tube adapter bracket to the fenderwell as shown.



12. Install the filter assembly, lining up the bracket with the previously drilled hole. Secure the bracket with hardware provided as shown in the parts illustration.

13. Reconnect the vehicle's negative battery cable. Double check to make sure everything is tight and properly positioned before starting the vehicle.

14. The C.A.R.B. exemption sticker, (attached), must be visible under the hood, so that an emissions inspector can see it when the vehicle is required to be tested for emissions. California requires testing every two years, other states may vary.

ROAD TESTING:

1. Start the engine with the transmission in neutral or park, and the parking brake engaged. Listen for air leaks or odd noises. For air leaks secure hoses and connections. For odd noises, find cause and repair before proceeding. This kit will function identically to the factory system except for being louder and much more responsive.
2. Test drive the vehicle. Listen for odd noises or rattles and fix as necessary.
3. If road test is fine, you can now enjoy the added power and performance from your kit.
4. K&N suggests checking the Filtercharger element periodically for excessive dirt build-up. When the element becomes covered in dirt (or once a year), service it according to the instructions on the Recharger service kit, part number 99-5050 or 99-5000.

FREE K&N DECAL To register your warranty, please see us online at knfilters.com/register. FREE K&N DECAL