



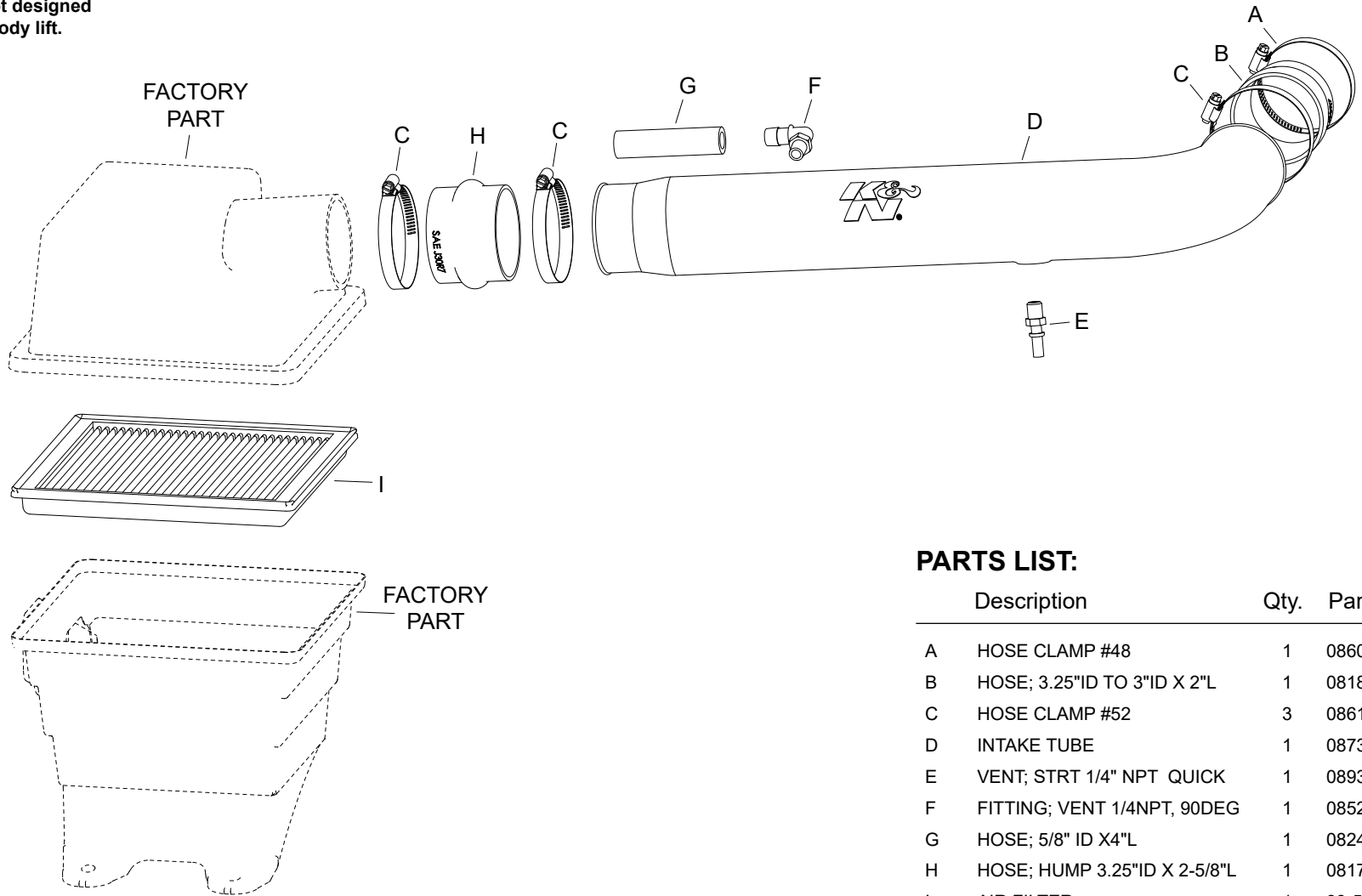
INTAKE SYSTEMS FOR VEHICLES LISTED ARE 50 STATE LEGAL. SEE KNFILTERS.COM FOR CARB STATUS ON EACH PART FOR A SPECIFIC VEHICLE.

INSTALLATION INSTRUCTIONS

57-3104
CHEVROLET / GMC
2017-20 Colorado / Canyon
V6-3.6L

TOOLS NEEDED:
 ratchet
 extension
 10mm socket
 flat blade screw driver
 phillips screw driver

NOTE: This kit was not designed to fit vehicles with a body lift.



PARTS LIST:

Description	Qty.	Part #
A HOSE CLAMP #48	1	08601
B HOSE; 3.25"ID TO 3"ID X 2"L	1	08186
C HOSE CLAMP #52	3	08610
D INTAKE TUBE	1	087362A
E VENT; STRT 1/4" NPT QUICK	1	08938
F FITTING; VENT 1/4NPT, 90DEG	1	08525
G HOSE; 5/8" ID X4"L	1	08244
H HOSE; HUMP 3.25"ID X 2-5/8"L	1	08171
I AIR FILTER	1	33-5030

If you need any assistance please call 1-800-858-3333 to speak with a representative in our Customer Service Center before returning the product.

NOTE: FAILURE TO FOLLOW INSTALLATION INSTRUCTIONS AND NOT USING THE PROVIDED HARDWARE MAY DAMAGE THE INTAKE TUBE, THROTTLE BODY AND ENGINE.

TO START:

1. Turn off the ignition and disconnect the negative battery cable.
NOTE: Disconnecting the negative battery cable erases pre-programmed electronic memories. Write down all memory settings before disconnecting the negative battery cable. Some radios will require an anti-theft code to be entered after the battery is reconnected. The anti-theft code is typically supplied with your owner's manual. In the event your vehicles anti-theft code cannot be recovered, contact an authorized dealership to obtain your vehicles anti-theft code.



2. Loosen the hose clamp that secures the intake hose to the air filter housing. Using a screwdriver, unlock the small clamp the secures the vent line to the connector and then disconnect the vent line. Remove the bolt securing the intake plenum to the engine.



3. Remove the oil fill cap and loosen the hose clamp securing the intake hose to the throttle body. Remove the bolt securing the intake plenum to the engine.



4. Remove the front center bolt securing the intake plenum to the engine and remove the intake plenum from the vehicle.
NOTE: It will be necessary to disconnect the CCV line from the plenum as it is lifted off of the engine.



5. Loosen the four screws that secure the upper air filter housing and then remove the upper housing and set aside.



6. Replace the factory air filter with the K&N® air filter provided. Reinstall the upper air filter housing and secure with the factory screws.



7. Install the provided hump coupler (08171) onto air filter housing outlet and secure with the provided hose clamp.



8. Install the provided coupler (08186) onto the throttle body and secure with the provided hose clamp.



9. Install the provided quick connect fitting into the K&N® intake tube as shown.

NOTE: Plastic NPT fittings are easy to cross thread. Install the vent fitting "hand" tight, then turn it two complete turns with a wrench.



10. Install the provided 90° vent fitting into the K&N® intake tube as shown.

NOTE: Plastic NPT fittings are easy to cross thread. Install the vent fitting "hand" tight, then turn it two complete turns with a wrench.



11. Install the K&N® intake tube assembly into the coupler on the air filter housing and then into the coupler at the throttle body, adjust the tube for best fit and then secure with the provided hose clamps.



12. Using the provided hose, connect the vent hose to 90° fitting installed into the K&N® intake tube.



13. Rotate the crank case vent line to line it up with the quick disconnect fitting installed into the K&N® intake tube and then connect the crank case vent.



14. Reconnect the vehicle's negative battery cable. Double check to make sure everything is tight and properly positioned before starting the vehicle.

15. The C.A.R.B. exemption sticker, (attached), must be visible under the hood so that an emissions inspector can see it when the vehicle is required to be tested for emissions. California requires testing every two years, other states may vary.

16. It will be necessary for all K&N® high flow intake systems to be checked periodically for realignment, clearance and tightening of all connections. Failure to follow the above instructions or proper maintenance may void warranty.

ROAD TESTING:

1. Start the engine with the transmission in neutral or park, and the parking brake engaged. Listen for air leaks or odd noises. For air leaks secure hoses and connections. For odd noises, find cause and repair before proceeding. This kit will function identically to the factory system except for being louder and much more responsive.

2. Test drive the vehicle. Listen for odd noises or rattles and fix as necessary.

3. If road test is fine, you can now enjoy the added power and performance from your kit.

4. K&N Engineering, Inc., requires cleaning the intake system's air filter element every 100,000 miles. When used in dusty or off-road environments, our filters will require cleaning more often. We recommend that you visually inspect your filter once every 25,000 miles to determine if the screen is still visible. When the screen is no longer visible some place on the filter element, it is time to clean it. To clean and re-oil, purchase our filter Recharger® service kit, part number 99-5050 or 99-5000 and follow the easy instructions.

INTAKE SYSTEMS FOR VEHICLES LISTED ARE 50 STATE LEGAL. SEE KNFILTERS.COM FOR CARB STATUS ON EACH PART FOR A SPECIFIC VEHICLE.