



## INSTALLATION INSTRUCTIONS

Congratulations, you have purchased an incredible new innovation available only from K&N. This X-Stream® air flow top must be used in conjunction with a K&N Filtercharger element. The X-Stream® top is a direct replacement for a K&N custom chrome top plate and will not change the existing hood clearance. However, doublecheck the measurements and verify that no interference will occur **BEFORE** closing the hood. It is imperative that no part of the X-Stream® top comes into contact with anything on the vehicle at any time.

**(CAUTION:** If the X-Stream® top rubs against anything it might become irreparably damaged. You must have 1-1/2" clearance from top of choke horn.)

The following procedures **MUST** be followed to ensure a proper fit, seal and function of the K&N X-Stream® Air Flow Top. Failure to follow any of these steps **CAN** result in the X-Stream's top warranty becoming void

**NOTE:** In off-road or dusty conditions a specially designed K&N Precharger® filter wrap must be used to prevent dirt from being sifted through the X-Stream® top. See current catalog for specific part numbers and sizes.

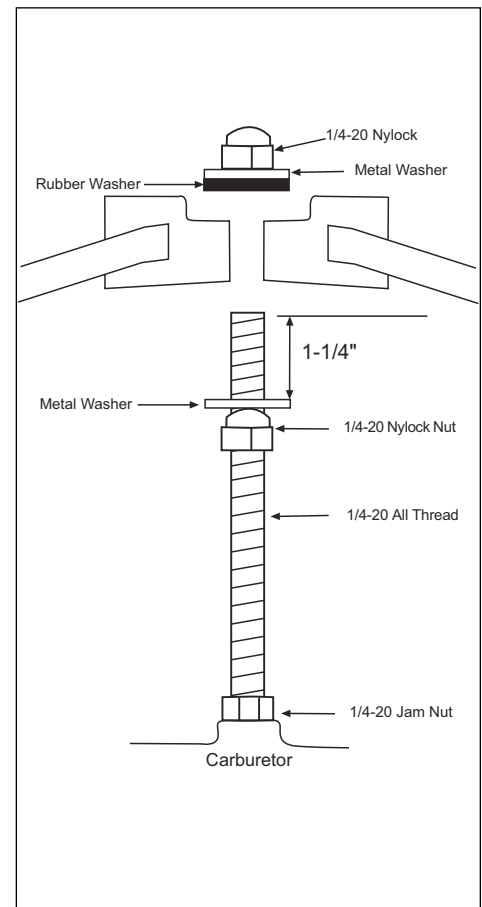
**Step 1)** The X-Stream® top requires a 1/4" -20 all-thread stud (purchase locally) that protrudes through the X-Stream® top by at least 1/2". Thread the stud into the carburetor or throttle body until it bottoms out. Install the base plate, filter and X-Stream® top onto the vehicle making sure that all of the components are properly seated. Mark the stud at 1/2", remove it from the vehicle and cut it at the mark. De-bur the end of the stud and make sure that a nut threads onto it smoothly before proceeding.

**Step 2)** Install the 1/4 -20 jam nut onto the stud and thread it back into the carburetor or throttle body. Install the base plate, filter and X-Stream® top back onto the vehicle and turn the stud until it is protruding through the top by 1/2". Remove the X-Stream® top and tighten down the jam nut being careful not to move the stud.

**Step 3)** Install one 1/4 -20 nylock nut onto the stud and thread it down until it is 1" from the top of the stud, measured with the washer installed. This will allow 1/8" of preload on the X-Stream® top. Do not increase this amount of preload or the top may be damaged.

**Step 4)** Install the X-Stream® top back onto the filtercharger making sure that it is properly seated and install the rubber washer, metal washer and 1/4 -20 nylock nut. Tighten the nylock nut until the X-Stream® top bottoms out on the small washer underneath. At least 2 threads should be protruding through the nut when everything is properly adjusted.

**CAUTION:** Use K&N sealing grease to assure that the filtercharger is sealed into the top and the base, not more preload.



P.O. BOX 1329, RIVERSIDE, CA, 92502 USA  
JOHN ST., WARRINGTON, CHESHIRE WA2 7UB ENGLAND

(909) 684-9762 FAX (909) 684-0716 TECH: (800) 858-3333  
e-mail: tech@knfilters.com • WWW: <http://www.knfilters.com>

17205  
8/7/00