



# PERFORMANCE EXHAUST SYSTEM



## INSTALLATION INSTRUCTIONS

### 67-2523

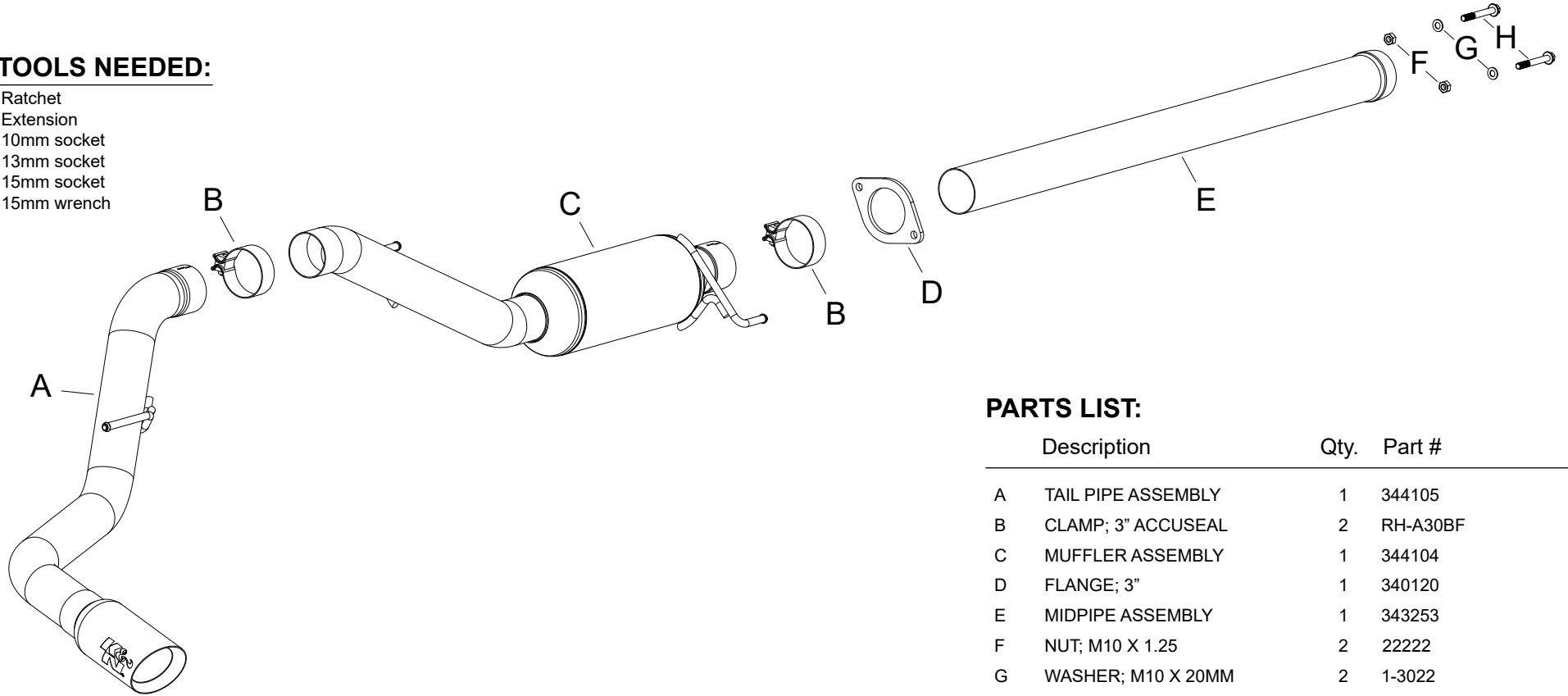
### FORD

### 2017-19 F-150

### V8-5.0L / V6-3.5L Ecoboost

#### TOOLS NEEDED:

- Ratchet
- Extension
- 10mm socket
- 13mm socket
- 15mm socket
- 15mm wrench



#### PARTS LIST:

	Description	Qty.	Part #
A	TAIL PIPE ASSEMBLY	1	344105
B	CLAMP; 3" ACCUSEAL	2	RH-A30BF
C	MUFFLER ASSEMBLY	1	344104
D	FLANGE; 3"	1	340120
E	MIDPIPE ASSEMBLY	1	343253
F	NUT; M10 X 1.25	2	22222
G	WASHER; M10 X 20MM	2	1-3022
H	BOLT; M10 X 1.25 X80	2	345035

#### TO START:

1. Turn off the ignition and allow engine and exhaust to cool to the touch.

**WARNING: Exhaust components can be extremely hot after vehicle operation and can severely burn you.**

Raise the vehicle to access the factory exhaust system with a lift or appropriate jack and properly positioned stands. It may be helpful to spray all existing hardware and hanger assemblies being removed with a penetrating oil or similar lubricant and allow to soak, especially if older and rusted.

**WARNING: If working without a lift always use the correct jack points and lifting procedures specified by the vehicle manufacturer. Serious injury or death could occur if proper safety measures are not followed.**



2. Remove the two bolts that secure the factory connection between the tail pipe and head pipe. **NOTE: K&N Engineering, Inc., recommends that customers do not discard factory exhaust.**



3. On vehicles equipped with a 5.0L V8, unhook the exhaust hanger from the muffler bracket. Slide the entire exhaust system towards the rear of the vehicle to unhook the remaining hangers and then route the exhaust forward over the axle and out from the vehicle.

**NOTE: Using spray lube will assist in disconnecting the rubber hanger from the muffler bracket.**



4. On vehicles equipped with a 3.5L Ecoboost V6, remove the two bolts that secure the front exhaust mount to the frame, this mount will not be used with the K&N® exhaust system. Slide the entire exhaust system towards the rear of the vehicle to unhook the remaining hangers and then route the exhaust forward over the axle and out from the vehicle.

**NOTE: The stock muffler can be disconnected from the stock mid pipe at the connection shown if desired to ease system removal.**



5. Install the K&N® mid-pipe and secure with the provided hardware. Do not tighten the flange mounting bolts at this time.



6. Install the K&N® muffler onto the mid-pipe and install the factory muffler hangers onto the muffler. **NOTE: Do not tighten the muffler connection at this time.**



7. Install the tail pipe onto the muffler and attach the tail pipe hangers.



8. Check alignment and reposition as necessary. Once final position is satisfactory, tighten all hardware and band clamps from front to rear of vehicle.

**NOTE: All band clamps should be torqued to 40-45 ft-lbs**

9. Double check to make sure everything is tight and properly positioned before lowering the vehicle to the ground.

#### ROAD TESTING:

1. Start the engine with the transmission in neutral or park, and the parking brake engaged. Listen for exhaust leaks or odd noises. For exhaust leaks secure flanges and/or connections. For odd noises, find cause and repair before proceeding. This kit will function identically to the factory system except for being louder.

2. Test drive the vehicle. Listen for odd noises or rattles and fix as necessary.

3. If road test is fine, you can now enjoy the added power and performance from your exhaust system.