



TYPHOON INTAKE SYSTEMS

INSTALLATION INSTRUCTIONS

69-1209

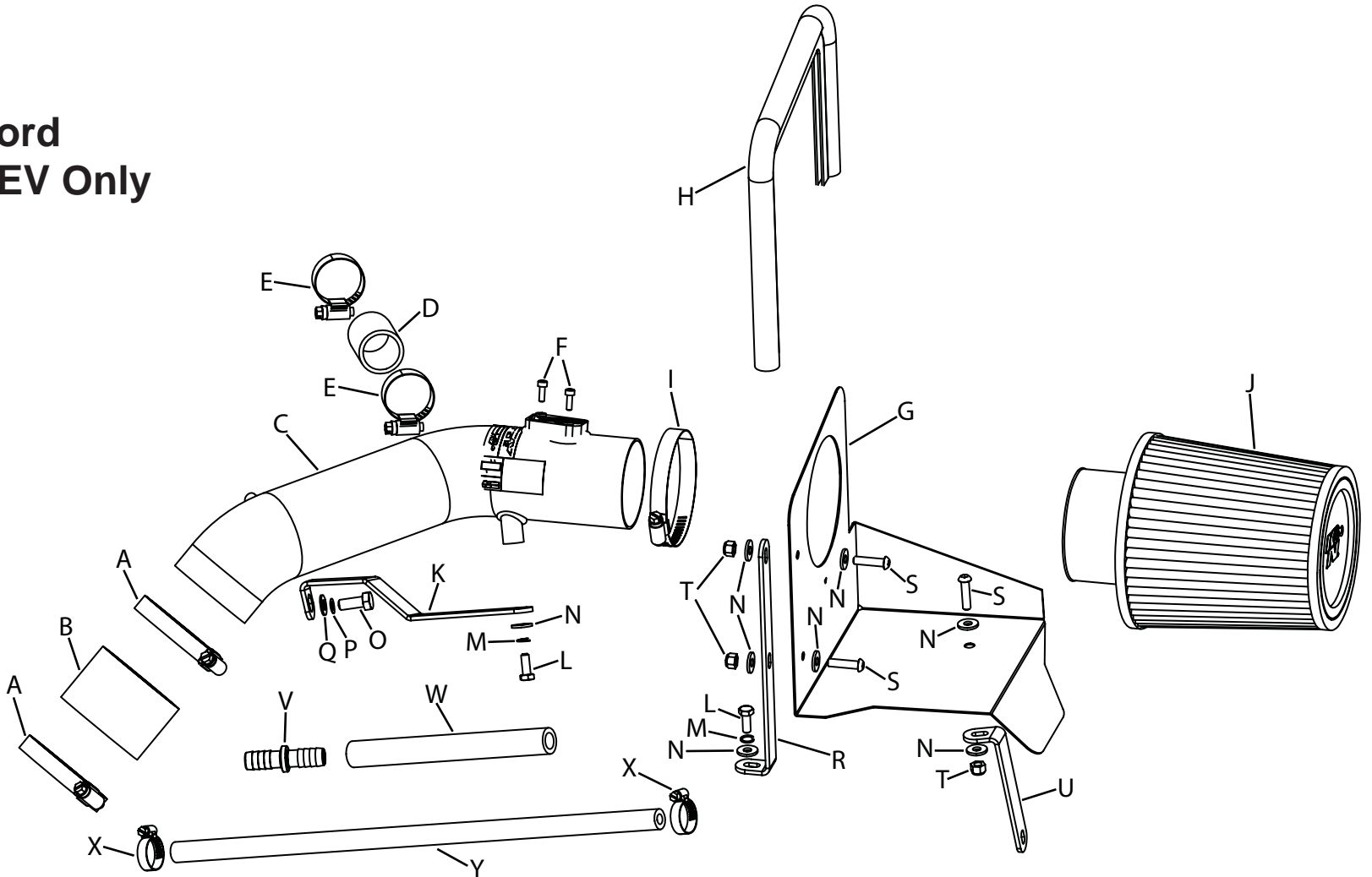
HONDA

2004-07 Accord

L4-2.4L SULEV Only

TOOLS:

Flat Blade Screwdriver
Phillips Screwdriver
Ratchet
Extension
13mm Socket
10mm Socket
5.5mm Socket
2.5 mm Allen Wrench
4mm Allen Wrench
10mm Wrench



PARTS LIST

Description	Qty.	Part #	Description	Qty.	Part #	Description	Qty.	Part #
A Hose Clamp #40	2	08554	J Air Filter	1	RU-4870	S Bolt; M6x1.00x16mm Btnhd	3	07730
B Hose; 2-3/4" ID X 2"L,	1	08440	K Bracket; "Z", STL, FB/PC	1	06498	T Nut; 6MM Nylock, Hex Head	3	07512
C Intake Tube	1	27534	L Bolt; 6MM - 1.00 X 16MM,	2	07812	U Bracket; "L", STL, FB/PC	1	06497
D Hose; 1-1/8" ID X 2"L	1	084074	M Washer; 1/4" Lock, ZN	2	08198	V Hose Mender; 1/2" Barbed	1	08686
E Hose Clamp #16	2	08413	N Washer; 1/4"IDx5/8"OD-SAE	8	08275	W Hose; 1/2" ID X 7"L,	1	08159
F Bolt; M4- 0.07 8MM, A/H Cap,	2	07733	O Bolt; 8MM-1.25x16mm, hex	1	07844	X Hose Clamp #004	2	21850
G Heat Shield	1	07353	P Washer; 8MM Spring (Wave)	1	08239	Y Hose; 5/16"IDx17-1/4"L	1	084007
H Edge Trim	1	102494	Q Washer; 5/16"IDx5/8"OD	1	08276			
I Hose Clamp #44	1	08577	R Bracket; "L", STL, FB/PC	1	06499			

NOTE: FAILURE TO FOLLOW INSTALLATION INSTRUCTIONS AND NOT USING THE PROVIDED HARDWARE MAY DAMAGE THE INTAKE TUBE, THROTTLE BODY AND ENGINE.

TO START:

1. Turn the ignition off and disconnect the vehicle's negative battery cable.

NOTE: Disconnecting the negative battery cable erases pre-programmed electronic memories. Write down all memory settings before disconnecting the negative battery cable. Some radios will require an anti-theft code to be entered after the battery is reconnected. The anti-theft code is typically supplied with your owner's manual. In the event your vehicles' anti-theft code cannot be recovered, contact an authorized dealership to obtain your vehicles anti-theft code.



2. Depress the locking tab and remove the mass air sensor connector. Remove the clips securing the mass air sensor harness to the stock airbox and intake tube.



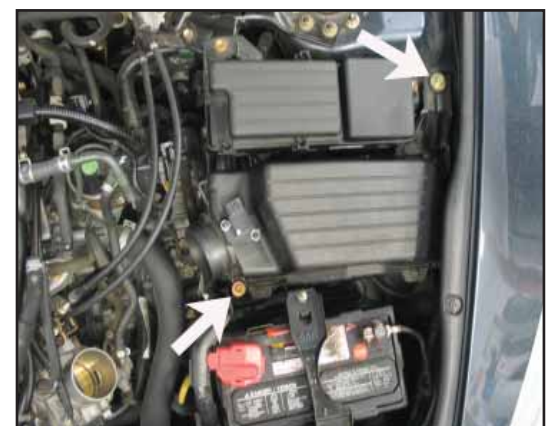
3. Depress the spring clamp and remove the crankcase vent line from the vent chamber on the stock intake tube. Disconnect the vent hose from the stock intake tube.



4. Loosen the hose clamp at the throttle body and unclip the throttle position sensor harness from the stock intake tube.



5. Pull firmly to remove the stock intake tube from the airbox. Remove the intake tube from the vehicle.



6. Remove the two bolts securing the stock airbox to the vehicle.



7. Unclip the wiring harness from the bottom of the stock airbox and remove from the vehicle.

NOTE: K&N Engineering, Inc., recommends that customers do not discard factory air intake.



8. Depress the spring clamp and remove the crankcase vent hose from the valve cover.



9. Depress the spring clamps on the stock coolant hose at the throttle body and thermostat housing.

NOTE: Ensure the engine is completely cool before removing the coolant hose, or hot coolant will escape from the cooling system and cause injury or damage.



10. Remove the stock coolant hose assembly from the vehicle.



11. Install the supplied coolant hose onto the thermostat housing and throttle body. Secure with the provided clamps as shown.

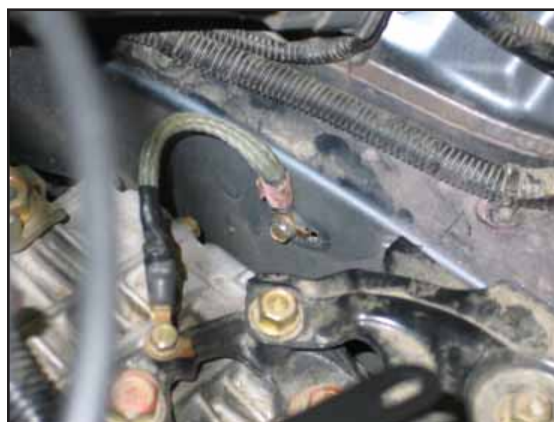
NOTE: Replace any coolant recovered during hose removal by replenishing the recovery tank. Some trimming of the coolant hose may be necessary.



12. Install the provided silicone hose (#08440) onto the throttle body. Secure with the provided hose clamp as shown.



13. Install intake tube bracket (#06498) onto the thermostat housing with the provided hardware as shown.



14. Remove the bolt securing the ground strap to the frame rail.

NOTE: This bolt will be re-used.



15. Install angled "L" bracket (#06497) onto the frame rail. Secure the "L" bracket and ground strap using the bolt removed in step #14.



16. Install the provided edge trim onto the heat shield as shown.

NOTE: Some trimming of the edge trim may be necessary.



17. Install "L" bracket (#06499) onto the heat shield with the provided hardware as shown.



18. Install the heat shield assembly with the provided hardware as shown.



19. Remove the mass air sensor from the stock airbox.



20. Depress the spring clamp and remove the crankcase vent chamber from the stock intake tube.



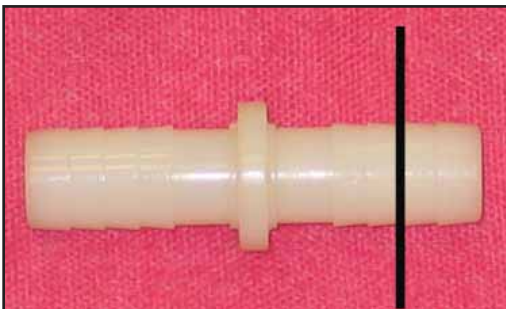
21. Install the mass air sensor into the K&N® intake tube with the provided hardware as shown.



22. Install the K&N® intake tube into the silicone hose at the throttle body and align with the tube mounting bracket installed in step # 13. Secure with the provided hardware and hose clamp.



23. Install the provided silicone hose (#084074) onto the stock crankcase vent chamber. Secure with the provided hose clamps as shown.



24. Cut two barbs off of the provided hose mender as shown.



25. Insert the hose mender into the crank case vent chamber. Secure using the stock clamp removed in step # 3.

NOTE: Insert the end cut in the previous step.



26. Install the provided silicone hose onto the hose mender as shown.



27. Install the crankcase chamber assembly onto the K&N® intake tube and valve cover. Secure with the provided hose clamp.

NOTE: Some trimming of the ½" silicone hose may be necessary.



28. Install the stock vent hose onto the K&N® intake tube as shown. Secure with the provided hose clamp.



29. Install the K&N® air filter onto the intake tube as shown.



30. Re-connect the mass air sensor connector as shown.



31. Reconnect the vehicle's negative battery cable. Check to ensure all hose clamps and fittings are properly tightened and positioned correctly before starting the vehicle.

32. The C.A.R.B. exemption sticker, (attached), must be visible under the hood so that an emissions inspector can see it when the vehicle is required to be tested for emissions. California requires testing every two years, other states may vary.

33. It will be necessary for all K&N® high flow intake systems to be checked periodically for realignment, clearance and tightening of all connections. Failure to follow the above instructions or proper maintenance may void warranty.

ROAD TESTING:

1. Start the engine with the transmission in neutral or park, and the parking brake engaged. Listen for air leaks or odd noises. For air leaks secure hoses and connections. For odd noises, find cause and repair before proceeding. This kit will function identically to the factory system except for being louder and much more responsive.

2. Test drive the vehicle. Listen for odd noises or rattles and fix as necessary.

3. If road test is fine, you can now enjoy the added power and performance from your kit.

4. K&N Engineering, Inc., suggests checking the air filter element periodically for excessive dirt build-up. When the element becomes covered in dirt (or once a year), service it according to the instructions on the Recharger® service kit, part number 99-5050 or 99-5000.

50-STATE STREET LEGAL
K&N CARB EXEMPT K&N

* FREE K&N® decal To register your warranty, please see us online at knfilters.com/register. FREE K&N® decal *

• 1455 CITRUS ST., P.O. BOX 1329, RIVERSIDE, CA., U.S.A. 92502 • TECH SERVICE 800-858-3333 • FAX 951-826-4001
 • e-mail: tech@knfilters.com • WWW: <http://www.knfilters.com>

18553C
 07/21/11