



QUALITY... PLAIN & SIMPLE®

Cruise Control Cable Installation Instructions For Use With a Rostra Cruise Control Kit

General Installation Notes:

Please read these instructions completely before beginning the installation. If you have any questions please call.

Before beginning the installation, disconnect the negative battery cable and use wheel chocks to block the vehicle's wheels.

Make sure the engine, transmission, body and frame are properly grounded. We recommend using anti-seize lubricant on all aluminum threads.

Refer to Fig. 1, 2 and 3 for the part names.

NOTE: This Cruise Control Cable is designed to work with a Rostra Cruise Control Kit and Lokar Throttle Cable. For carbureted applications, you will need a Lokar Carburetor Bracket and Springs (SRK-4000). For Tuned-Port applications, you will need a Lokar Tuned-Port Bracket With Triple Stud (TCB-40TP3).

If a Lokar Throttle Cable and/or Lokar Kickdown Cable have been previously installed, you will likely need new inner wires for those cables. Call Lokar Technical Support for assistance.

Step 1: Follow the Rostra Installation Instructions through Section I: CRUISE MODULE MOUNTING. Stop before Section II: MEASURING THROTTLE CABLE TRAVEL.

Step 2: Remove the cable end stop, kickdown/cruise throttle body fitting, and cruise cable carb end stud (carbureted applications) or kickdown/cruise stud (TPI applications) from the Lokar Cruise Control Cable inner wire. Remove the cable adjuster from the end of the cable housing. **DO NOT** remove the ferrule if the cruise control cable has a braided stainless steel housing! If the cruise control cable has a black universal housing, remove the ferrule. **Fig. 1 & Fig. 2.**

Step 3: Pull the inner wire out of the cable housing.

Step 4: Separate the passenger compartment cable housing from the inside firewall fitting. Unscrew the inside firewall fitting from the outside firewall fitting. **Fig. 3.**

Cruise Control Cable Installation Instructions

For Use With a Rostra Cruise Control Kit

Building American Quality... With A Lifetime Warranty!®

TOLL FREE 1-877-469-7440 • tech@lokar.com • www.lokar.com

Carbureted

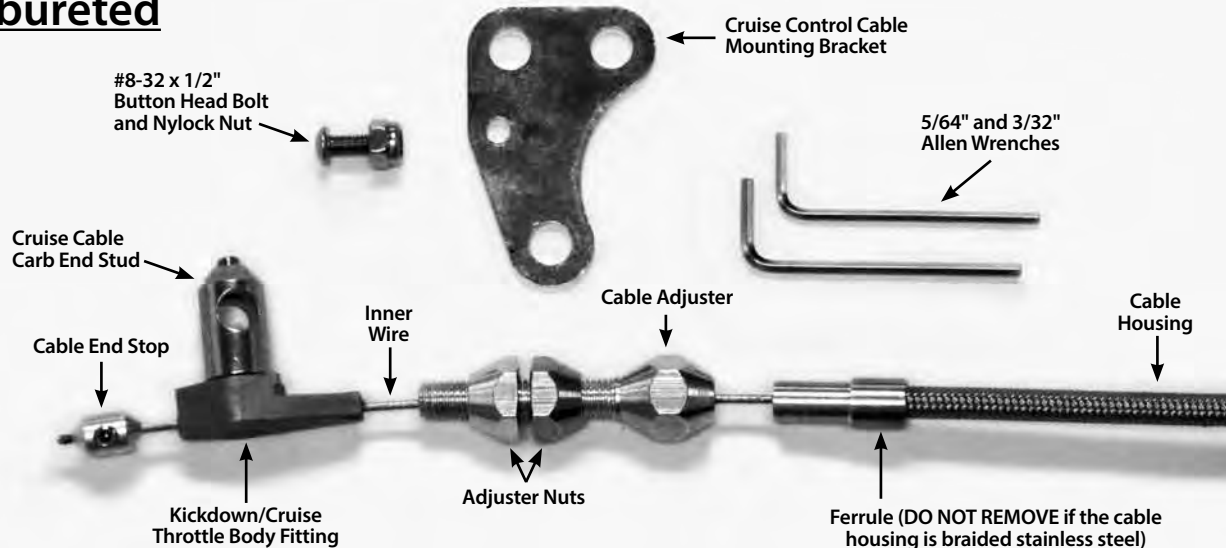


Fig. 1

TPI - Same as Above Except:

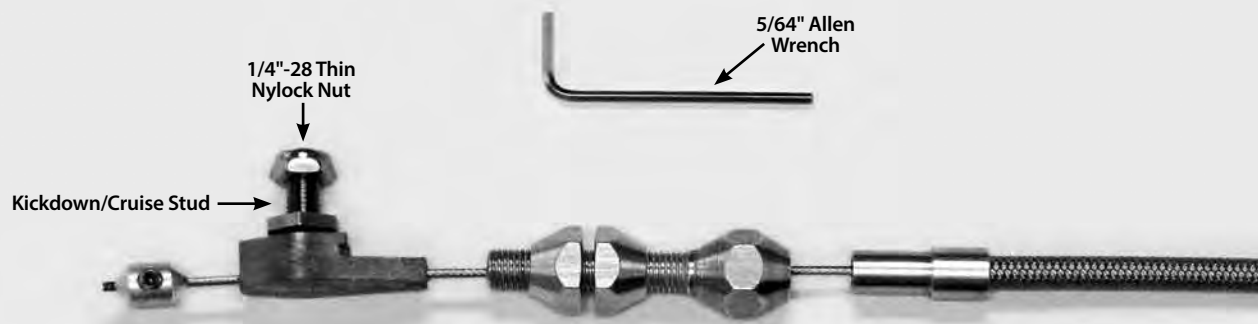


Fig. 2

(Cruise Control Cable Mounting Bracket not included, available separately)

Cruise Control Cable Installation Instructions, For Use With a Rostra Cruise Control Kit

Step 5: Remove the existing cable from the Rostra cruise module if it was already installed. Temporarily install the Lokar passenger compartment cable housing onto the Rostra cruise module.

Step 6: Route the passenger compartment cable housing to the location that you want the cruise control cable to pass through the firewall. Avoid making any sharp bends. If the cable housing will not reach, the cruise module will need to be relocated, or you can order a custom-length cable housing and inner wire from Lokar.

If the cable housing is too long, it can be cut to fit. Mark the cable housing where you want it to pass through the firewall. Remove the cable housing from the cruise module. **Make sure that the inner wire has been removed from the cable housing!**

If the cruise control cable has a black universal housing, cut the cable housing with heavy duty 8" diagonal cutting pliers or a hacksaw. Lokar recommends Klein brand Diagonal Cutting Pliers, # D2000-28 available at The Home Depot or through W. W. Graingers, Part # 4A838.

If the cruise control cable housing is braided stainless steel, push the ferrule up the housing towards the cruise module, above where the cut will be made. **DO NOT** remove the ferrule from a braided stainless steel housing! Wrap tape around the area to be cut and use a cutoff wheel or fine-toothed hacksaw.

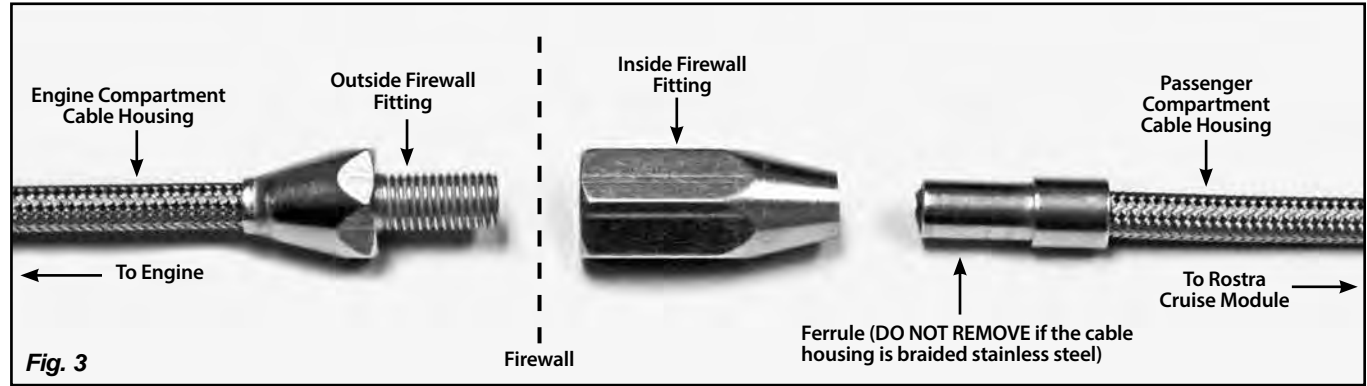
After cutting the cable housing, put the ferrule back in place at the end of the cable housing. The ferrule does NOT need to be crimped or otherwise attached in place. Reassemble the cable housing to the cruise module and test-fit again.

Once you are satisfied with the length of the passenger compartment cable housing, remove it from the cruise module.

Step 7 CARBURETED ONLY:

If the throttle cable has already been installed, disconnect the throttle cable from the carburetor. If the engine has a Lokar Kickdown Bracket mounted on the carburetor bracket, disconnect the kickdown cable from the carburetor. Remove the kickdown cable adjuster and the kickdown bracket from the carburetor bracket. If the engine has a Lokar Carburetor Bracket installed, remove the throttle cable adjuster. Leave the carburetor bracket in place. If the engine does not have a Lokar Carburetor Bracket already installed, install one now.

The cruise cable mounting bracket mounts onto the back side of the Lokar Carburetor Bracket. The throttle cable adjuster will pass through the top hole in both the new cruise cable mounting bracket AND the carburetor bracket. Position the cruise cable mounting bracket behind the carburetor bracket with the two 5/16" diameter holes at the top. Insert the throttle cable adjuster (with the rear nut installed) through the top passenger's side hole in the cruise cable mounting bracket and then through the carburetor bracket. Install the front adjuster nut but do not tighten yet.



Cruise Control Cable Mounting Bracket (Carbureted) Viewed From Front

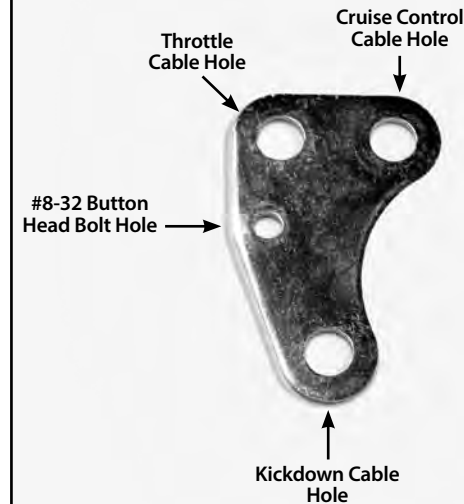


Fig. 4

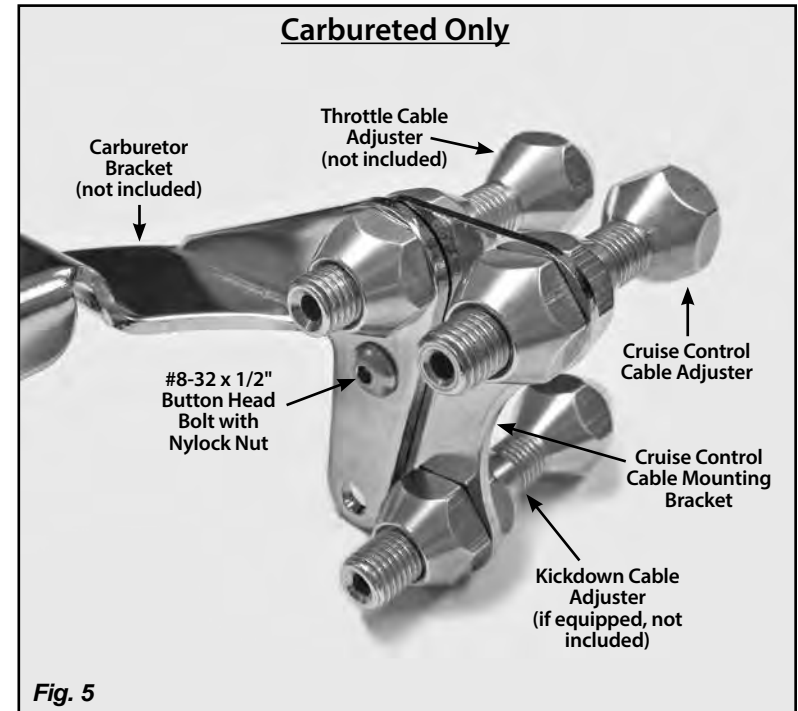


Fig. 5

Step 7 CARBURETED ONLY (continued): Align the small 3/16" diameter hole in the center of the cruise cable mounting bracket with the same diameter hole in the throttle cable bracket. Install the supplied #8-32 button head bolt and nylock nut, but do not tighten yet.

Insert the cruise control cable adjuster (with the rear adjuster nut installed) into the hole in the bracket that is directly beside the throttle cable adjuster. Position it so that the bracket is roughly centered in the threaded part of the cable adjuster. Install the front adjuster nut.

Tighten the throttle cable adjuster nuts, the #8-32 button head bolt, and the cruise control cable adjuster nuts.

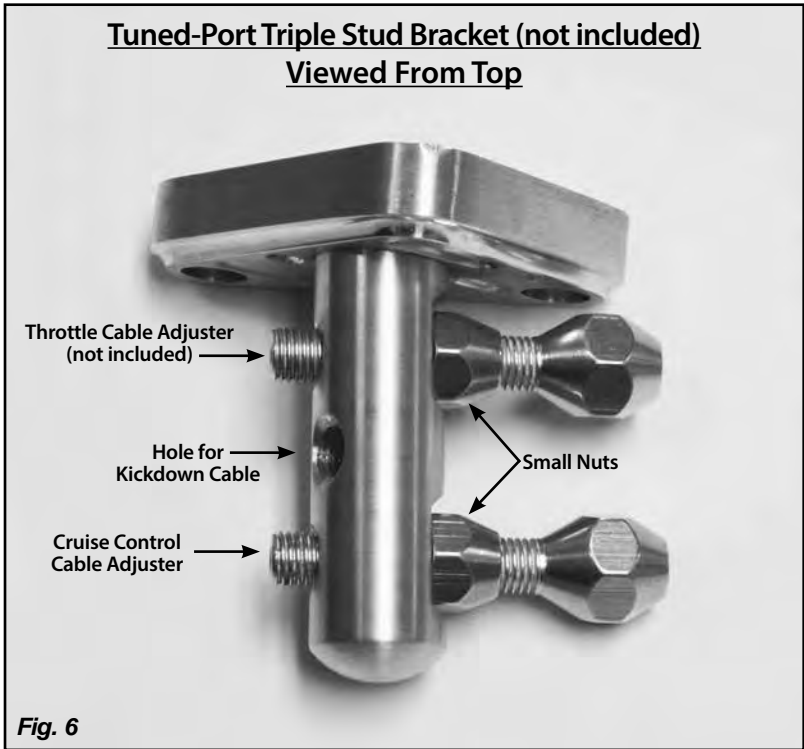
If equipped with a Lokar Kickdown Cable, install it in the bottom hole in the cruise cable mounting bracket. **Fig. 4 & Fig. 5**

Step 7 TUNED PORT ONLY:

Remove the existing Tuned-Port throttle cable bracket and replace with a Lokar Triple Stud Tuned-Port Bracket. Remove both of the adjuster nuts from the throttle cable adjuster, the cruise control cable adjuster, and (if equipped) the kickdown cable adjuster.

Install one of the new, smaller OD nuts that came with the Lokar Triple Stud Tuned-Port Bracket onto each cable adjuster. Install the throttle cable adjuster into the innermost hole in the new bracket, the kickdown cable adjuster (if equipped) into the center hole, and the cruise control cable adjuster into the outermost hole.

Position the cable adjusters so that the bracket is roughly centered in the threaded part of the cable adjusters. **Fig. 6**



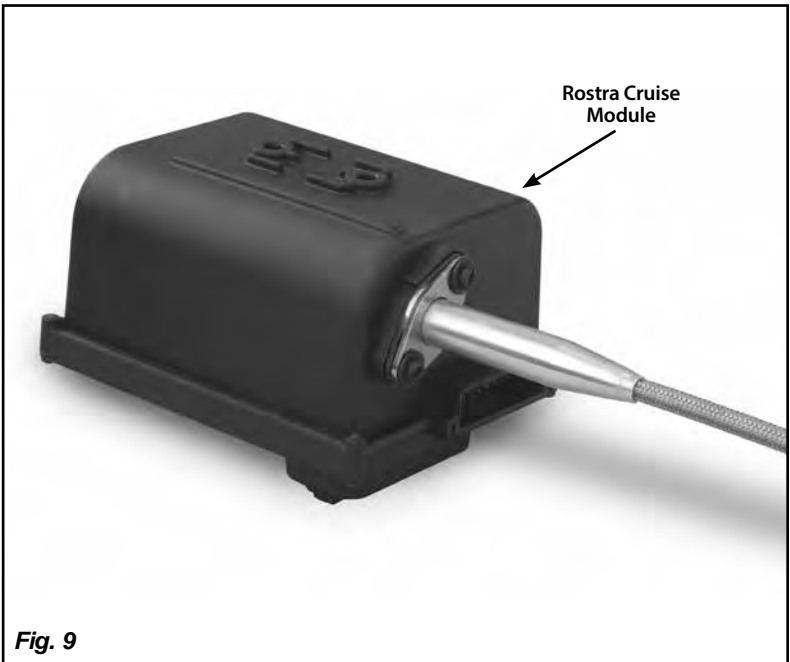
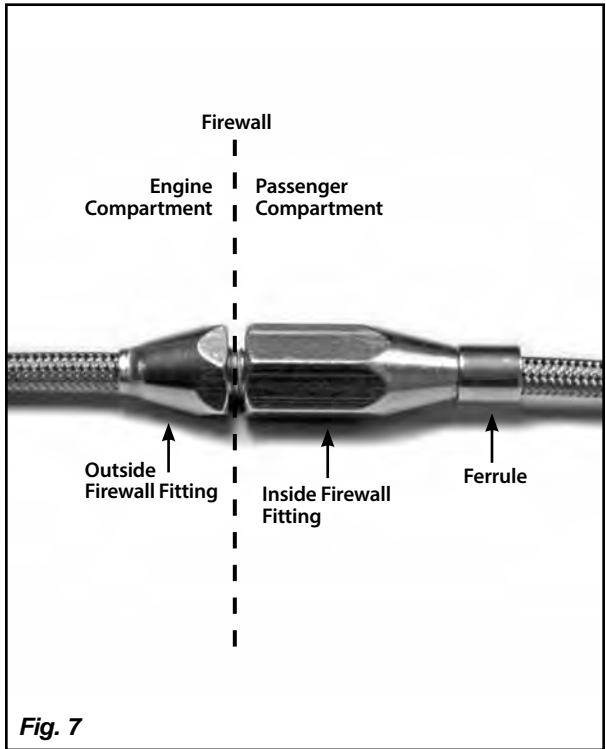
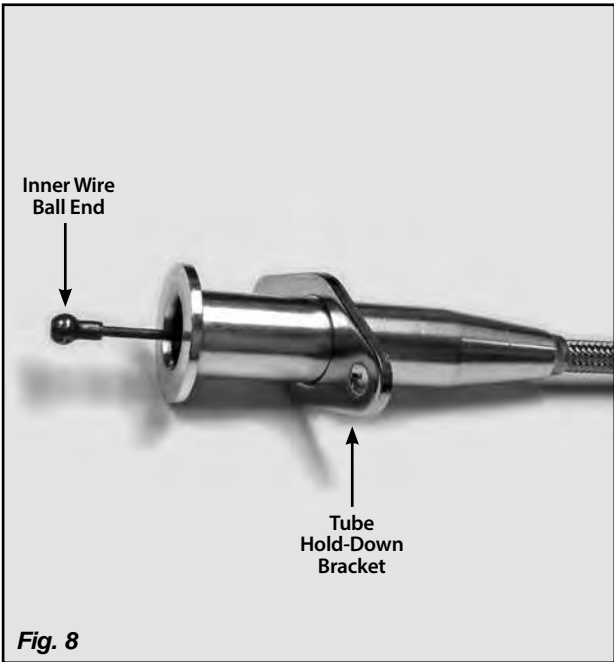
Step 8 (ALL): Route the engine compartment cable housing from the desired spot on the firewall to the cruise control cable adjuster to make sure it will reach. Make sure the cable housing is not too close to the exhaust and will not interfere with any moving parts. Leave at least 1 – 2" of slack in the cable housing to account for engine movement. The cable housing needs to end approximately 1" before reaching the cruise cable mounting bracket (the cable adjuster will make up the rest of the distance).

If it does not reach, you will need to order a custom-length cable housing and inner wire. If the engine compartment cable housing is too long, it may be cut to fit. Use the same procedure outlined in **Step 6** to cut the cable housing to the correct length. Test fit again after cutting.

Step 9: Once you have verified that both the engine compartment and passenger compartment cable housings are the correct length, drill a 5/16" hole in the firewall where the cruise control cable will come through.

Step 10: This step will require two people in most cases. Insert the outside firewall fitting into the firewall hole from the engine compartment. From inside the passenger compartment, thread the inside firewall fitting onto the outside firewall fitting and tighten. Make sure the ferrule is in place on the firewall end of the passenger compartment cable housing, and the tube hold down bracket (**Fig. 8**) is on the opposite end of the cable housing. Insert the end of the cable housing with the ferrule into the inner firewall fitting. **Fig. 3 & Fig. 7**

Step 11: Feed the inner wire into the cruise control cable housing from the end that connects to the cruise module. Slide the inner wire ball end into the retainer slot on the cruise module, **Fig. 8**. Assemble the cruise control cable housing to the cruise module. **Fig. 9**

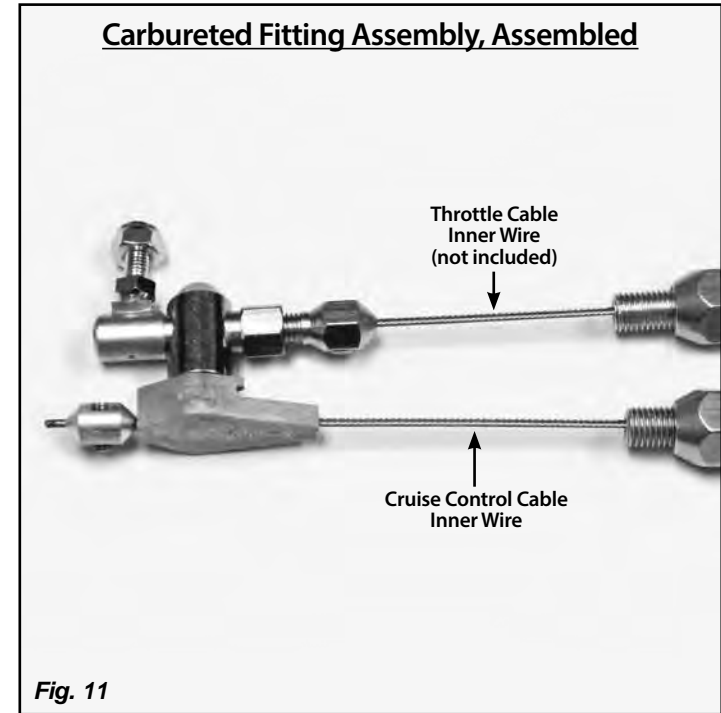
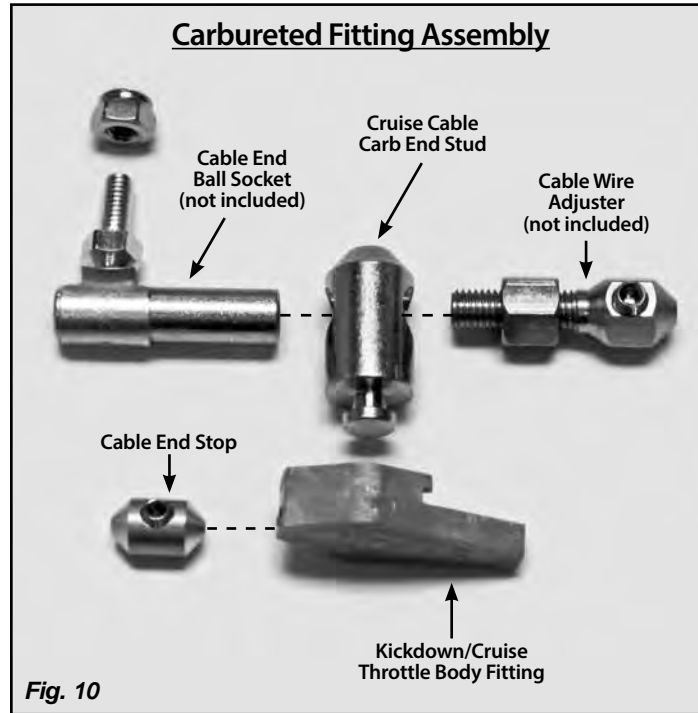


Step 12 CARBURETED ONLY:

Disassemble the fitting assembly on the carburetor end of the throttle cable by unscrewing the cable wire adjuster from the cable end ball socket. Insert the cable end ball socket into the hole in the cruise cable carb end stud. Then, reassemble the cable wire adjuster to the cable end ball socket. Tighten the set screw in the cruise cable carb end stud.

Reinstall the fitting assembly on the end of the throttle cable inner wire, and reattach to the throttle linkage. Slide the kickdown/cruise throttle body fitting onto the cruise control inner wire, followed by the cable end stop. Connect the cruise cable carb end stud to the kickdown/cruise throttle body fitting. Slide the cable end stop up against the kickdown/cruise throttle body fitting, and tighten the set screw.

See the exploded view in **Fig. 10**, and the assembly in **Fig. 11**.

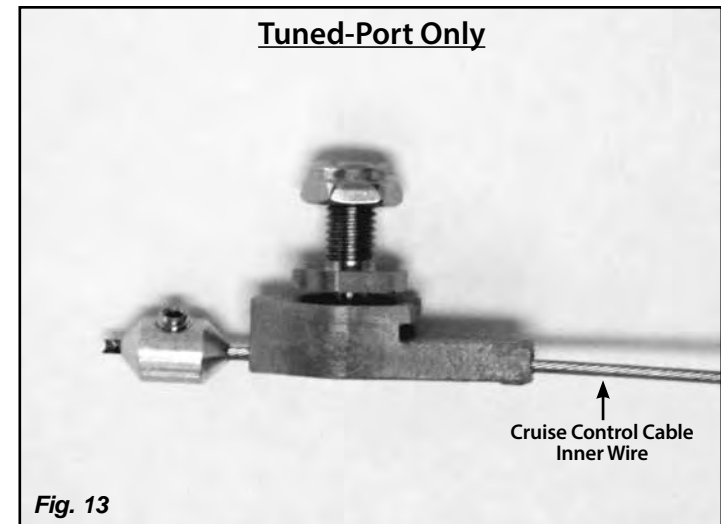


Step 12 TUNED PORT ONLY:

Reconnect the throttle cable inner wire to the throttle linkage. If the throttle lever does not already have a "T" shaped stud for the kickdown/cruise throttle body fitting to connect to, install the kickdown/cruise stud that came with the Lokar Cruise Control Cable onto the throttle lever.

Slide the Lokar kickdown/cruise throttle body fitting onto the end of the cruise control cable inner wire, followed by the cable end stop. Then, connect the kickdown/cruise throttle body fitting to the kickdown/cruise stud on the throttle linkage. Slide the cable end stop up against the kickdown/cruise throttle body fitting, and tighten the set screw.

See the exploded view in **Fig. 12**, and the assembly in **Fig. 13**.



Step 13 (ALL): Start with the Rostra instructions again at Section V: "CRUISE HARNESS". Follow the Rostra instructions on getting the cruise control cable adjusted properly. Once the cruise control is adjusted and is working properly, cut off the excess inner wire beyond the cable end stop. It may be wise to leave yourself an inch or so of inner wire to allow for possible future adjustments.