



QUALITY... PLAIN & SIMPLE®

Ford FMX Hi-Tech Kickdown Kit Part# KD-2FMXHT

Ford FMX Hi-Tech Kickdown Kit Installation Instructions

Part# KD-2FMXHT

Building American Quality... With A Lifetime Warranty!™

10924 Murdock Dr. • Knoxville, TN 37932

TOLL FREE 1-877-469-7440 • (865) 966-2269 • FAX (865) 671-1999 • tech@lokar.com • www.lokar.com

General Installation Notes:

Please read instructions completely before beginning installation. If you have any questions please call.

Do not attempt to install or adjust Throttle Cable or Kickdown kit while engine is running. Be sure engine, body and frame are grounded properly.

We recommend using an anti-seize lubricant on all aluminum threads before installation. Do not over tighten while fitting cables.

Cut housing by using diagonal cutters, Lineman pliers or taping the housing and using a fine-toothed hacksaw. Klein diagonal cutters, Part No. D2000-28 (available at Grainger's, Part No. 4A838) work best.

Ford FMX Hi-Tech Kickdown Kit Installation

Step 1: Remove kickdown cable stop and cable slide fitting from inner wire and remove inner wire from housing. Remove stainless trans cable bracket from housing.

Step 2: Mount trans cable bracket to first trans pan bolt located behind the kickdown lever.

Step 3: Mount kickdown adjuster bracket to Lokar Spring Return Bracket. **See Fig. 1.**

Step 4: Install braided housing to trans cable bracket and route housing up to the kickdown adjuster. **See Figures 1 and 2.** Slide ferrule back on housing and cut housing to desired length. Be sure the housing is not in contact with the exhaust or any moving parts of the vehicle as this may damage the cable.

Step 5: Now install inner wire from the trans end of inner wire. Attach the aluminum eyelet to stock kickdown lever and install original retaining clip. **See Fig. 2.**

Step 6: With throttle held wide open, install inner wire through Lokar Cable Slide Fitting as seen in **Fig. 1.** Be sure the throttle is wide open and pull inner wire tight and install kickdown cable stop.

Step 7: Make fine adjustments to cable using the kickdown adjuster. When kickdown installation is completed and adjusted, the excess inner wire can then be cut past the kickdown cable stop.

Fig. 1

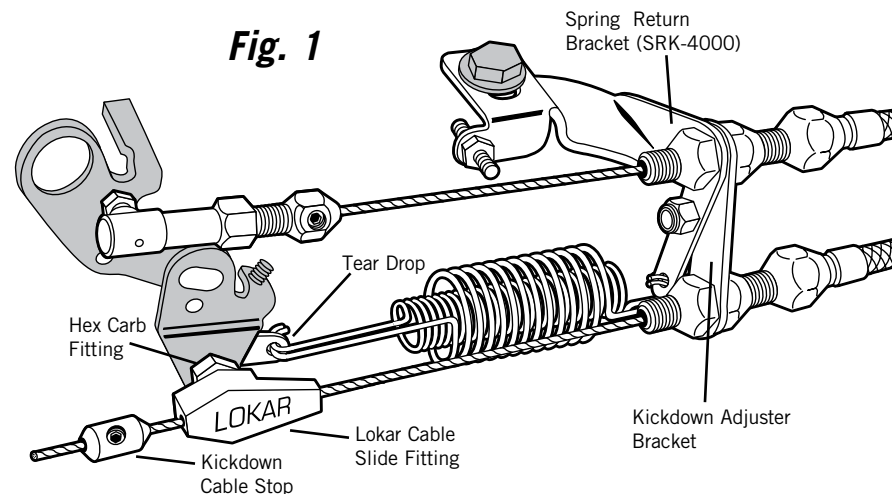


Fig. 2

