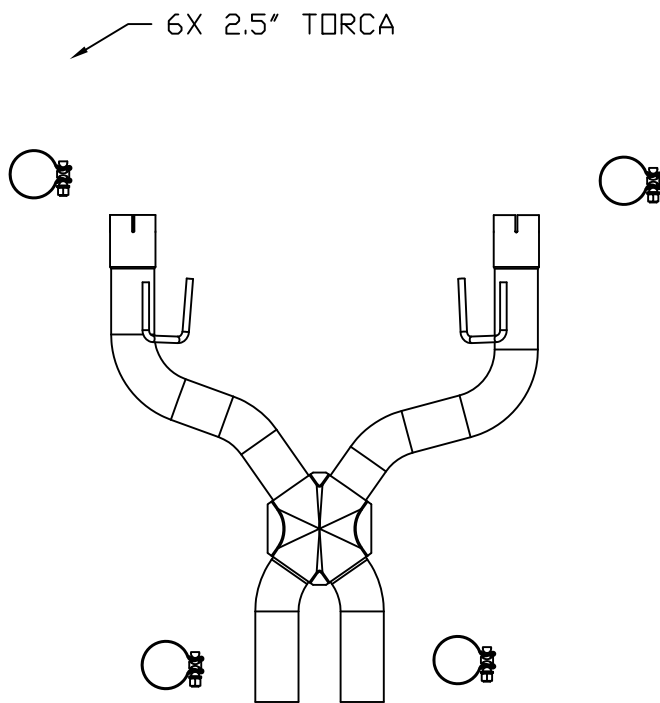


2005- FORD MUSTANG GT - V8 4.6L



Warning: When working on, under, or around any vehicle exercise caution. Please allow the vehicle's exhaust system to cool before removal, as exhaust system temperatures may cause severe burns. If working without a lift, always consult vehicle manual for correct lifting specifications. Always wear safety glasses and ensure a safe work area. Serious injury or death could occur if safety measures are not followed.

Step 1: (Carefully read all instructions before installation) Disconnect the vehicle's battery before removal of the OEM exhaust. This will allow the computer to reset itself with the new system, and prevent electrical accidents. To remove the H-pipe portion of the OEM catalytic converter assembly, you will need to cut the pipes about 1.50" in front of the OEM hanger bracket as shown. You can then loosen the band clamps at the rear end of the H-pipe, and remove the assembly. Be sure to deburr the cut pipes before installing the Tru-X crossover assembly.

Step 2: Install the Tru-X crossover by fitting the welded hangers into the OEM rubber insulators, and by fastening the inlets to the converter pipes using the supplied clamps. Leave all clamps and fasteners loose for final adjustment of the complete system. Fasten the rear portion of the Tru-X crossover to the muffler pipes reusing the OEM clamps that were loosened earlier.

Step 3: With all components mounted loosely, adjust the system for overall aesthetics and clearance of frame & bodywork. (MAGNAFLOW recommends at least 1/2" of clearance between the exhaust system and any body panels to prevent heat-related body damage or fire.)

Step 4: Once a final position has been chosen for the new system, evenly tighten all fasteners from front to rear. The supplied band clamps must be VERY tight to properly align the pipes and prevent leaks (Approximately 40ft-lbs). Inspect all fasteners after 25-50 miles of operation and retighten if necessary.

*MAGNAFLOW Performance Exhaust recommends professional installation on all their products

Technical support: 1-800-959-9226 ext. 4500

MAGNAFLOW Performance Exhaust - 22961 Arroyo Vista - Rancho Santa Margarita, CA 92688