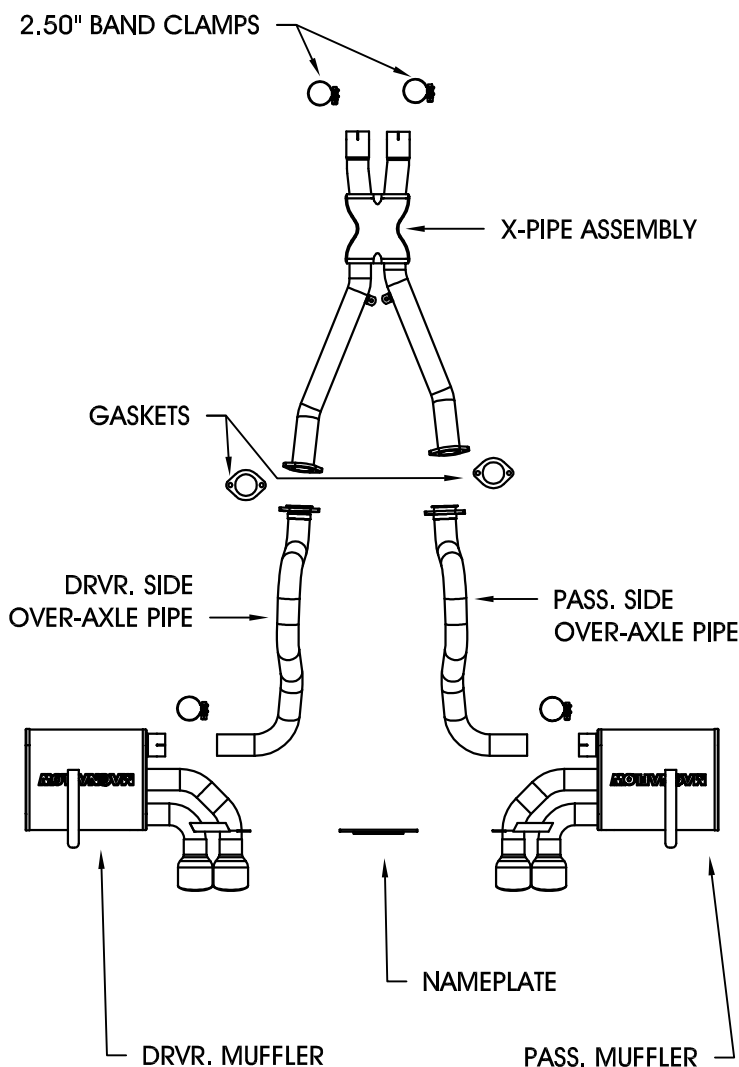


### 1997-2004 CHEVY CORVETTE - V8 5.7L

**Warning:** When working on, under, or around any vehicle exercise caution. Please allow the vehicle's exhaust system to cool before removal, as exhaust system temperatures may cause severe burns. If working without a lift, always consult vehicle manual for correct lifting specifications. Always wear safety glasses and ensure a safe work area. Serious injury or death could occur if safety measures are not followed.

**DIAGRAM 1**



**Step 1:** (Carefully read all instructions before installation) Disconnect the vehicle's battery before removal of the OEM exhaust. This will allow the computer to reset itself with the new system, and prevent electrical accidents. Begin removal of the OEM system by removing the 4 swaybar mounting bolts at the rear of the transmission. Do not discard these fasteners, as you will need them to re-mount the swaybar. Unbolt the mufflers from the catalytic converter extension pipes at the 2-bolt flanges. Remove the mufflers from the OEM rubber insulators (Removal of the passenger-side heat shield will aid in the extraction of the muffler.) Do not damage the OEM rubber insulators, as they will be re-used to mount the new system. Removal of the OEM H-pipe will be covered in a later step.

**Step 2:** Begin installation by fitting the new mufflers into the OEM rubber insulators and align them with the billet nameplate. Working forward, install the over-axle pipes with the supplied band clamps, and allow them to hang loosely.

\*MAGNAFLOW Performance Exhaust recommends professional installation on all their products

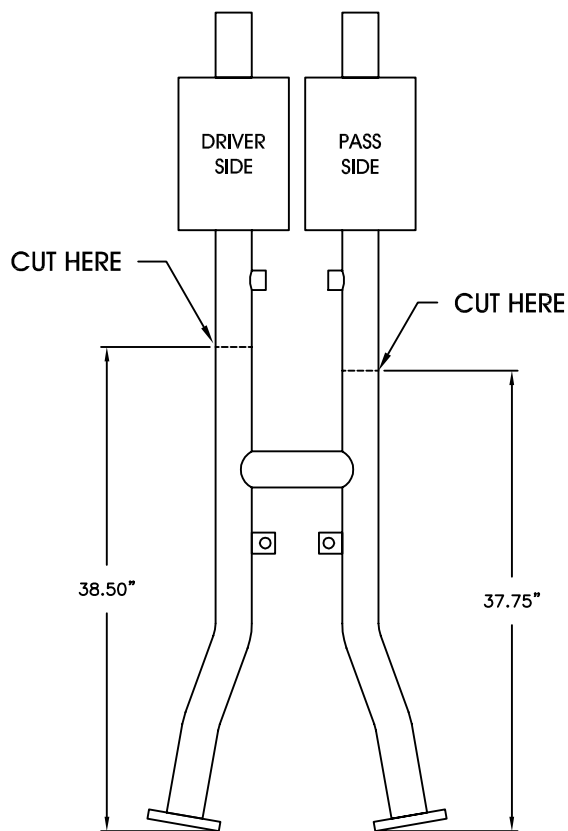
Technical support: 1-800-959-9226 ext. 4500

MAGNAFLOW Performance Exhaust - 22961 Arroyo Vista - Rancho Santa Margarita, CA 92688

### 1997-2004 CHEVY CORVETTE - V8 5.7L

**Warning:** When working on, under, or around any vehicle exercise caution. Please allow the vehicle's exhaust system to cool before removal, as exhaust system temperatures may cause severe burns. If working without a lift, always consult vehicle manual for correct lifting specifications. Always wear safety glasses and ensure a safe work area. Serious injury or death could occur if safety measures are not followed.

DIAGRAM 2



**Step 3:** To remove the OEM H-pipe, you will need to cut the extensions in two places. Measuring from the flanges, cut the driver's side extension at 38.5". The passenger side extension pipe must be cut at 37.75" (refer to diagram 2). Do not discard the OEM H-pipe hanger fasteners, as they will be re-used to mount the new X-pipe. Deburr the cuts on the extension pipes to aid installation of the new X-pipe. Install the X-pipe by fitting the inlet over the deburred extensions and by fastening it in place with the supplied clamps. Using the supplied fasteners and gaskets, fasten the outlets of the X-pipe to the over-axle pipes at the 2-bolt flanges. With all components loose, reinstall the OEM hanger fasteners.

**Step 4:** With all components mounted loosely, adjust the system for overall aesthetics and clearance of frame & bodywork. (MAGNAFLOW recommends at least 1/2" of clearance between the exhaust system and any body panels to prevent heat-related body damage or fire.)

**Step 5:** Once a final position has been chosen for the new system, evenly tighten all fasteners from front to rear. The supplied band clamps must be VERY tight to properly align the pipes and prevent leaks (Approximately 65ft-lbs). U-bolt clamps should be tightened to approximately 30-35ft-lbs. Re-install the rear swaybar mounts using the OEM fasteners (refer to shop manual for torque specifications). Inspect all fasteners after 25-50 miles of operation and retighten if necessary.