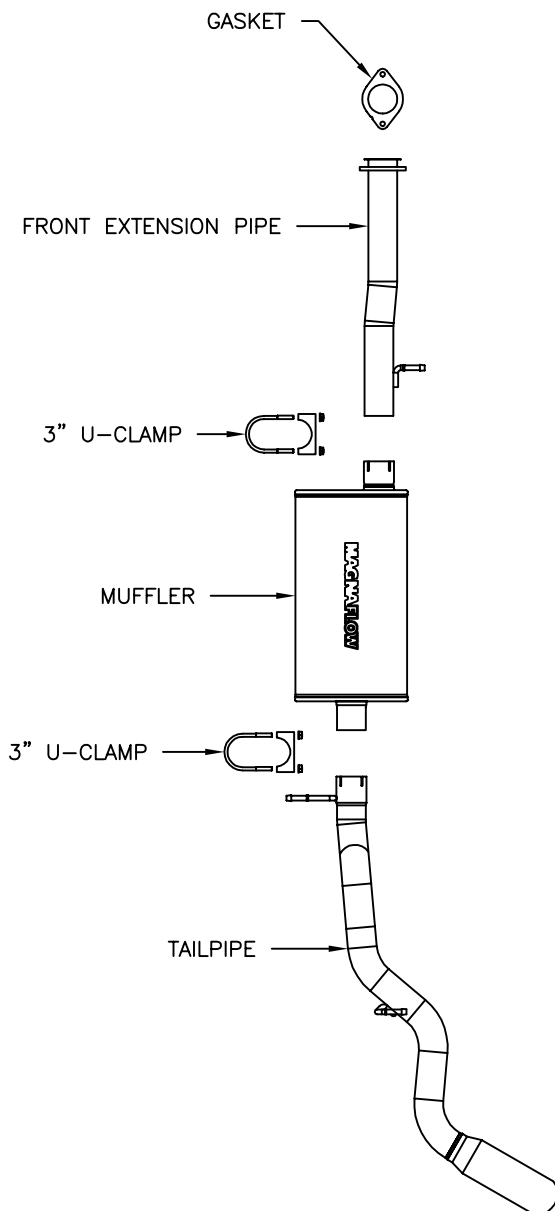


1996-1999 GM TAHOE/YUKON/SUBURBAN - V8 5.7L



NOTE: DRAWING MAY DIFFER FROM PARTS SLIGHTLY, DEPENDING ON KIT NUMBER.

Warning: When working on under or around any vehicle exercise caution. Please allow the vehicle's exhaust system to cool before removal, as exhaust system temperatures may cause severe burns. If working without a lift, always consult vehicle manual for correct lifting specifications. Always wear safety glasses and ensure safe work area. Serious injury or death could occur if safety measures are not followed.

Step 1: (Carefully read all instructions before installation) To remove the OEM exhaust system you will need to cut the front extension pipe about 1" in front of the muffler. Unbolt the cut extension pipe from the catalytic converter at the 2-bolt flange and remove. (Do not damage the OEM rubber insulators or discard the OEM fasteners, as they will be re-used to mount the new system. The muffler and tailpipe can be extracted as one piece after being removed from the OEM rubber insulators.

Step 2: Fit the new front extension pipe into the OEM rubber insulator and bolt it to the catalytic converter using the OEM fasteners. Fit the notched end of the new muffler over the end of the front extension pipe, and fasten it using one of the supplied U-clamps. Fit the notched end of the new tailpipe over the outlet of the muffler using a supplied U-clamp, and fit it into the OEM rubber insulators.

Step 3: With all components loosely fitted, adjust the system for overall aesthetics and clearance of frame & bodywork. (MAGNAFLOW recommends at least 1/2" of clearance between the exhaust tip and any body panels to avoid heat related body damage or fire.)

Step 4: Once a final position has been chosen for the new system, evenly tighten all fasteners from front to rear. Inspect all fasteners after 25-50 miles of operation and re-tighten if necessary.

*MAGNAFLOW Performance Exhaust recommends professional installation on all their products

Technical support: 1-800-959-9226 ext. 4500

MAGNAFLOW Performance Exhaust - 22961 Arroyo Vista - Rancho Santa Margarita, CA 92688