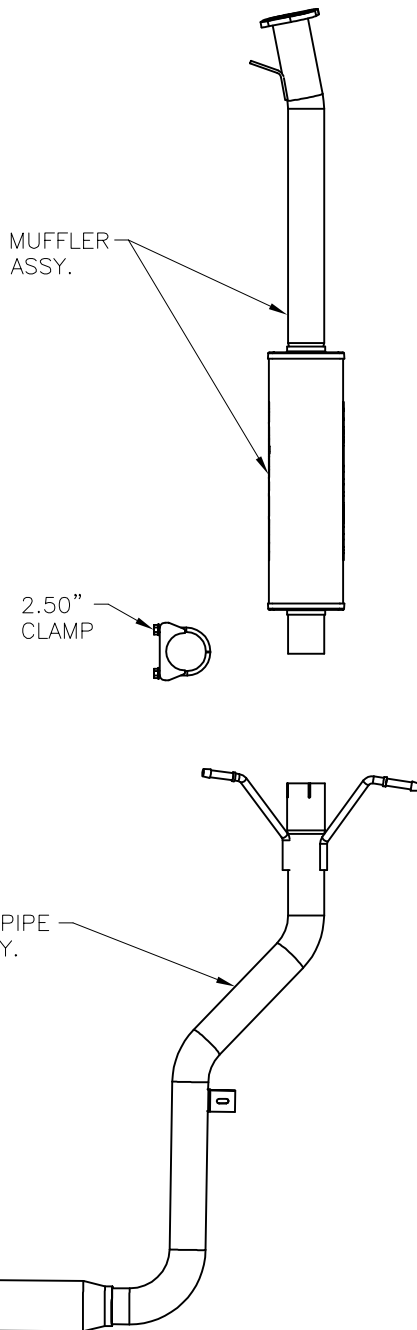


'02- NISSAN FRONTIER 3.3L V6 / 2.4L 4 cyl. EC/SB



Warning: When working on, under, or around any vehicle exercise caution. Please allow the vehicle's exhaust system to cool before removal, as exhaust system temperatures may cause severe burns. If working without a lift, always consult vehicle manual for correct lifting specifications. Always wear safety glasses and ensure a safe work area. Serious injury or death could occur if safety measures are not followed.

Step 1: (Carefully read all instructions before installation) Disconnect the vehicle's battery before removal of the OEM exhaust. This will allow the computer to reset itself with the new system, and prevent electrical accidents. To remove the OEM system, unbolt the tailpipe and muffler at the mating connections, disengage the welded hangers from the OEM rubber insulators and remove the assemblies. Do not damage the rubber insulators, as they will be reused to mount the new system.

Step 2: Install the new muffler assembly by bolting it to the OEM catalytic convertor assembly and mounting bracket reusing the OEM fasteners. Install the tailpipe by fitting the welded hangers into the OEM rubber insulators and by bolting the mounting bracket to the vehicle's mounting bracket. Fasten the tailpipe to the muffler using the supplied 2.50" clamp. Leave all clamps and fasteners loose for final adjustment of the complete system.

Step 3: With all components mounted loosely, adjust the system for overall aesthetics and clearance of frame & bodywork. (MAGNAFLOW recommends at least 1/2" of clearance between the exhaust system and any body panels to prevent heat-related body damage or fire.)

Step 4: Once a final position has been chosen for the new system, evenly tighten all fasteners from front to rear. Inspect all fasteners after 25-50 miles of operation and retighten if necessary.

*MAGNAFLOW Performance Exhaust recommends professional installation on all their products

Technical support: 1-800-959-9226 ext. 4500