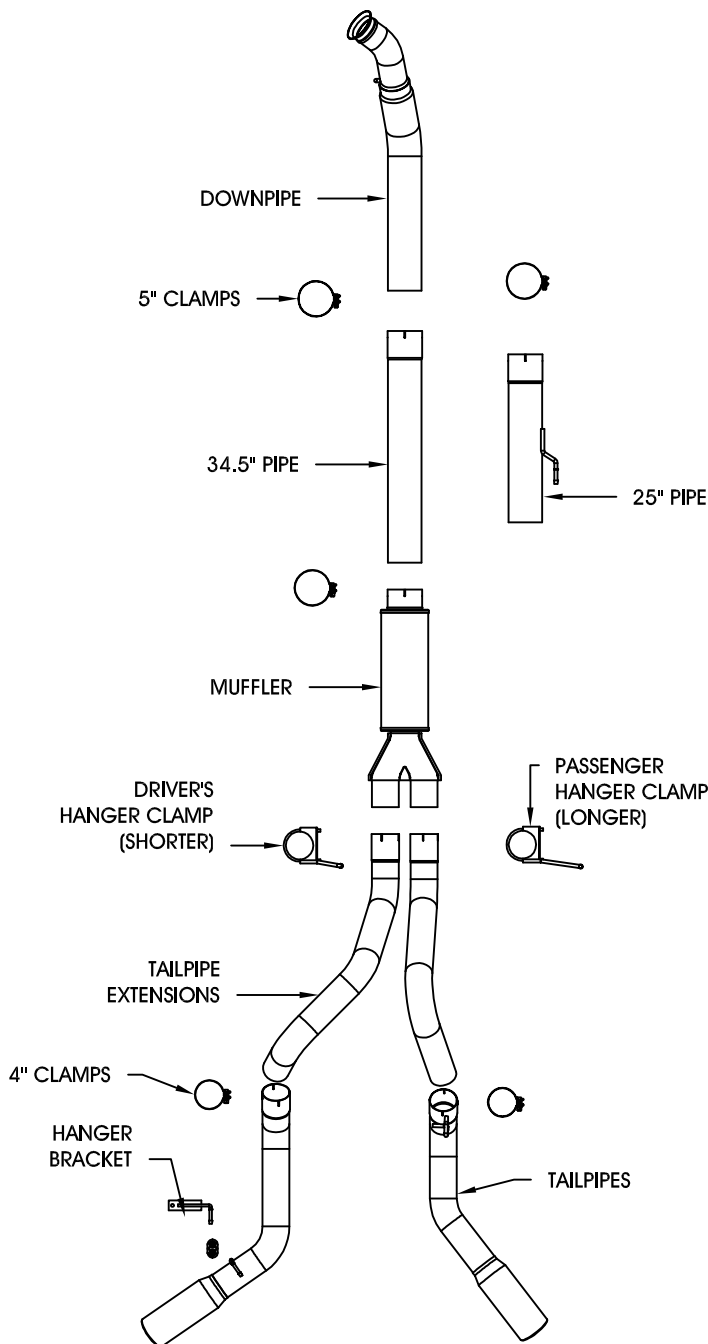


2004- DODGE RAM H.O. DIESEL - I-6 5.9L, CREW CAB



Note: MAGNAFLOW advises against the removal of catalytic converters. If the vehicle was originally equipped with a catalytic converter, this exhaust system is intended for off-road and racing applications only.

Warning: When working on, under, or around any vehicle exercise caution. Please allow the vehicle's exhaust system to cool before removal, as exhaust system temperatures may cause severe burns. If working without a lift, always consult vehicle manual for correct lifting specifications. Always wear safety glasses and ensure a safe work area. Serious injury or death could occur if safety measures are not followed.

Note: MAGNAFLOW Performance dual-exit truck systems are designed to fit stock-height vehicles with OEM hitches and spare wheel and tire combos. Vehicles with aftermarket components such as trailer hitches, larger spare wheel and tire, or ride height changes may require modification of the exhaust system for a proper fit and finish.

Note: This system can also be fitted to shorter cab / bed layouts by trimming the center extension pipes.

Step 1: (Carefully read all instructions before installation) Disconnect the vehicle's battery before removal of the OEM exhaust. This will allow the computer to reset itself with the new system, and prevent electrical accidents. To remove the OEM exhaust system, you will need to loosen or remove the clamps that fasten the system together, including the V-band clamp at the turbocharger. You can then disengage any welded hangers from the OEM rubber insulators and extract the system from the vehicle.

Step 2: Before installing the new downpipe, you will need to temporarily remove the hanger bracket on the bellhousing that attaches to the downpipe hanger as shown in Diagram 2. Install the new downpipe by fitting the OEM hanger bracket onto the downpipes welded hanger, then remount the hanger bracket and turbocharger V-band clamp. Leave all clamps and fasteners loose for final adjustment of the complete system. CC/SB and EC/LB trucks will use the 34.5" extension pipe only. CC/LB trucks will need to add the 25" extension pipe between the 34.5" extension pipe and the muffler. Install the required extension pipes, muffler, and tailpipe pieces by fitting the welded hangers into the OEM rubber insulators, and by fastening the pipes together using the supplied clamps as shown in the system diagram.

*MAGNAFLOW Performance Exhaust recommends professional installation on all their products

Technical support: 1-800-959-9226 ext. 4500

2004- DODGE RAM H.O. DIESEL - I-6 5.9L, CREW CAB

DIAGRAM 2



Note: MAGNAFLOW advises against the removal of catalytic converters. If the vehicle was originally equipped with a catalytic converter, this exhaust system is intended for off-road and racing applications only.

Warning: When working on, under, or around any vehicle exercise caution. Please allow the vehicle's exhaust system to cool before removal, as exhaust system temperatures may cause severe burns. If working without a lift, always consult vehicle manual for correct lifting specifications. Always wear safety glasses and ensure a safe work area. Serious injury or death could occur if safety measures are not followed.

Note: MAGNAFLOW Performance dual-exit truck systems are designed to fit stock-height vehicles with OEM hitches and spare wheel and tire combos. Vehicles with aftermarket components such as trailer hitches, larger spare wheel and tire, or ride height changes may require modification of the exhaust system for a proper fit and finish.

Note: This system can also be fitted to shorter cab / bed layouts by trimming the center extension pipes.

Step 2 (cont.): The driver and passenger hanger brackets are used to fasten the tailpipe extensions to the muffler. The hanger bracket is to be mounted to a pre-drilled hole in the frame using the 7/16-14 x 4" bolt, washers and 7/16" nut, as shown in Diagram 3. This will support the driver's tailpipe with the rubber insulator.

DIAGRAM 3



Step 3: With all components mounted loosely, adjust the system for overall aesthetics and clearance of frame and bodywork. (MAGNAFLOW recommends at least 1/2" of clearance between the exhaust system and any body panels to prevent heat-related body damage or fire.)

Step 4: Once a final position has been chosen for the new system, evenly tighten all fasteners from front to rear. The supplied band clamps must be VERY tight to properly align the pipes and prevent leaks (Approximately 65ft-lbs.) The U-bolt clamps should be tightened to about 35-40ft-lbs. Inspect all fasteners after 25-50 miles of operation and retighten if necessary.