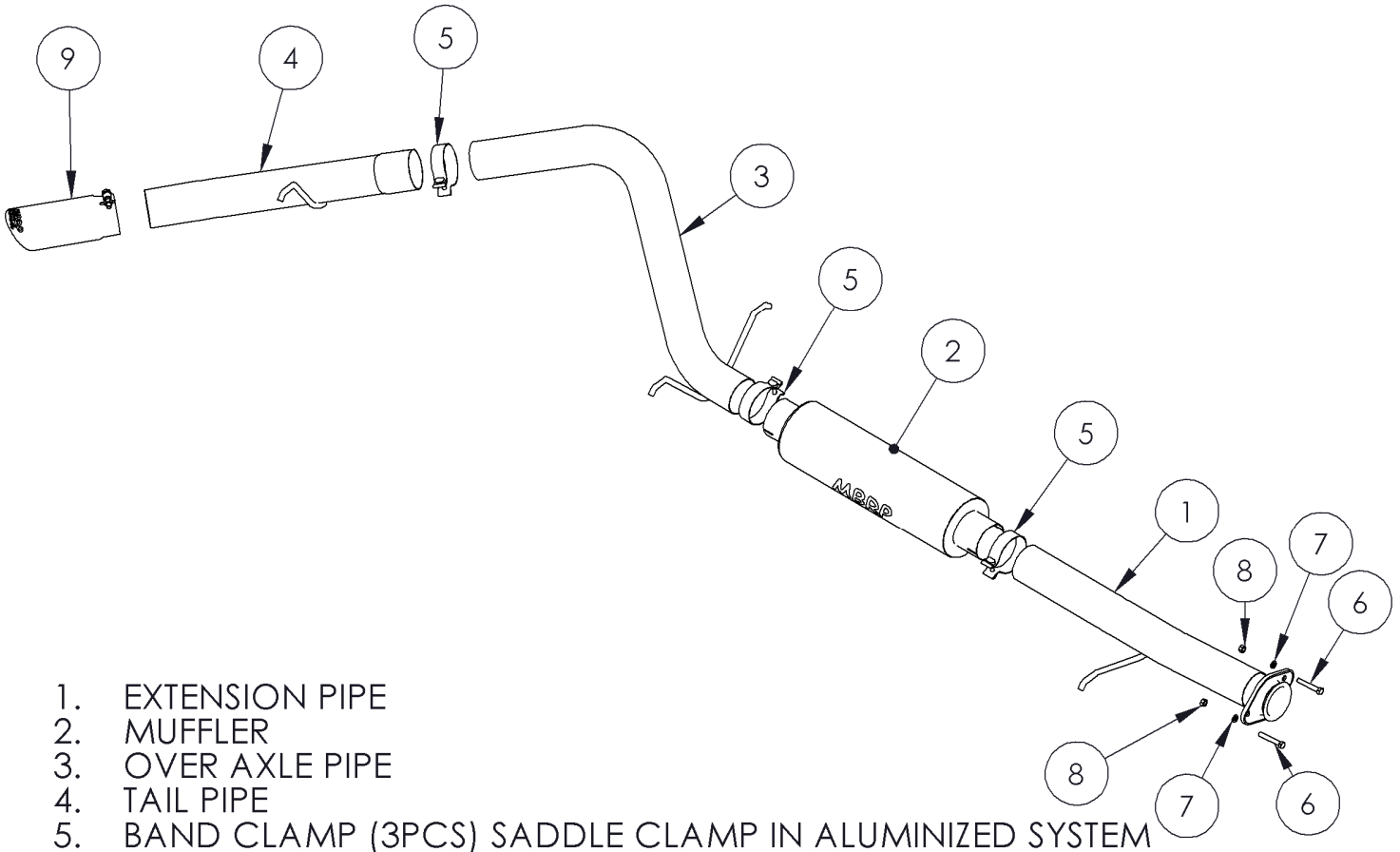


**S5044**  
07-08 CHEV TAHOE / GMC YUKON  
5.3L & 6.0L, CAT BACK SINGLE

**MBRP** INC.  
**PERFORMANCE EXHAUST**



1. EXTENSION PIPE
2. MUFFLER
3. OVER AXLE PIPE
4. TAIL PIPE
5. BAND CLAMP (3PCS) SADDLE CLAMP IN ALUMINIZED SYSTEM
6. HEX BOLT 3/8" X 2 1/2" (2PCS)
7. LOCK WASHER (2PCS)
8. HEX NUT 3/8" (2PCS)
9. EXHAUST TIP

### **PLEASE READ BEFORE STARTING INSTALATION**

**While MBRP Inc. has made every effort to ensure that all components of this system are of superior quality and properly packaged, it is the installer's responsibility to ensure the following before removal of the factory exhaust:**

- that ALL components shown above are present.
- that ALL mating components fit together.
- that there are no damaged components.
- that the system you have purchased is appropriate for your vehicle year, model and configuration.
- that the system will not interfere with any modifications previously installed or planned.
- that you have read and understand these instructions.

If you have any questions or are uncertain about any aspect of the installation of this system to your vehicle please contact your dealer before commencing installation.

## 2007 Chev Tahoe & GMC Yukon 5.3L

### Removal of stock system:



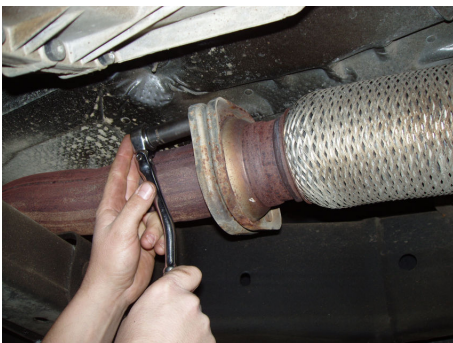
**Figure 1**

1. Apply a penetrating lubricant liberally to all exhaust fasteners, hangers and rubber insulators.
2. Remove the hangers from the rubber insulators and remove the exhaust from the vehicle. The tail pipe will need to be cut to clear the rear axle.  
**Refer to Figures 1 & 2.**



**Figure 2**

3. Remove the hardware holding the front flange together and disconnect exhaust system.  
**Refer to Figure 3.**



**Figure 3**

4. Remove the exhaust from underneath the vehicle.  
**Refer to Figure 4.**



**Figure 4**

## Installation of MBRP Inc. Performance Exhaust:



Figure 5



Figure 6



Figure 7



Figure 8

1. Loosely attach the **Extension Pipe** at the flange using the hardware provided and slide hanger into the rubber insulator located on the frame. **Refer to Figure 5.**
2. Slide a **Band Clamp** over the **Extension Pipe** and install muffler onto the **Extension Pipe**. **Refer to Figure 6. Refer to the illustration on Page 1** for the flow direction of the muffler.
3. Slide a **Band Clamp** over the outlet side of the **Muffler**. Then feed the **Over Axle Pipe** over the axle and loosely attach it to the **Muffler**. Install the pipe hangers into the factory rubber insulator. **Refer to Figure 7.**
4. Slide a **Band Clamp** over the **Tail Pipe** and install onto the **Over Axle Pipe**. Then slide hanger into rubber insulator located on the frame. **Refer to Figure 8.**
5. Align the exhaust as required. Starting at the front of the exhaust, tighten all clamps and connections.
6. Check along the whole length of the exhaust system to ensure that there is adequate clearance around the spare tire, fuel and brake lines or any wiring. If any interference is detected relocate or adjust.



**Congratulations!** You are ready to begin enjoying the improved performance and driving experience of your MBRP Inc. performance exhaust system. We hope you enjoy your purchase.