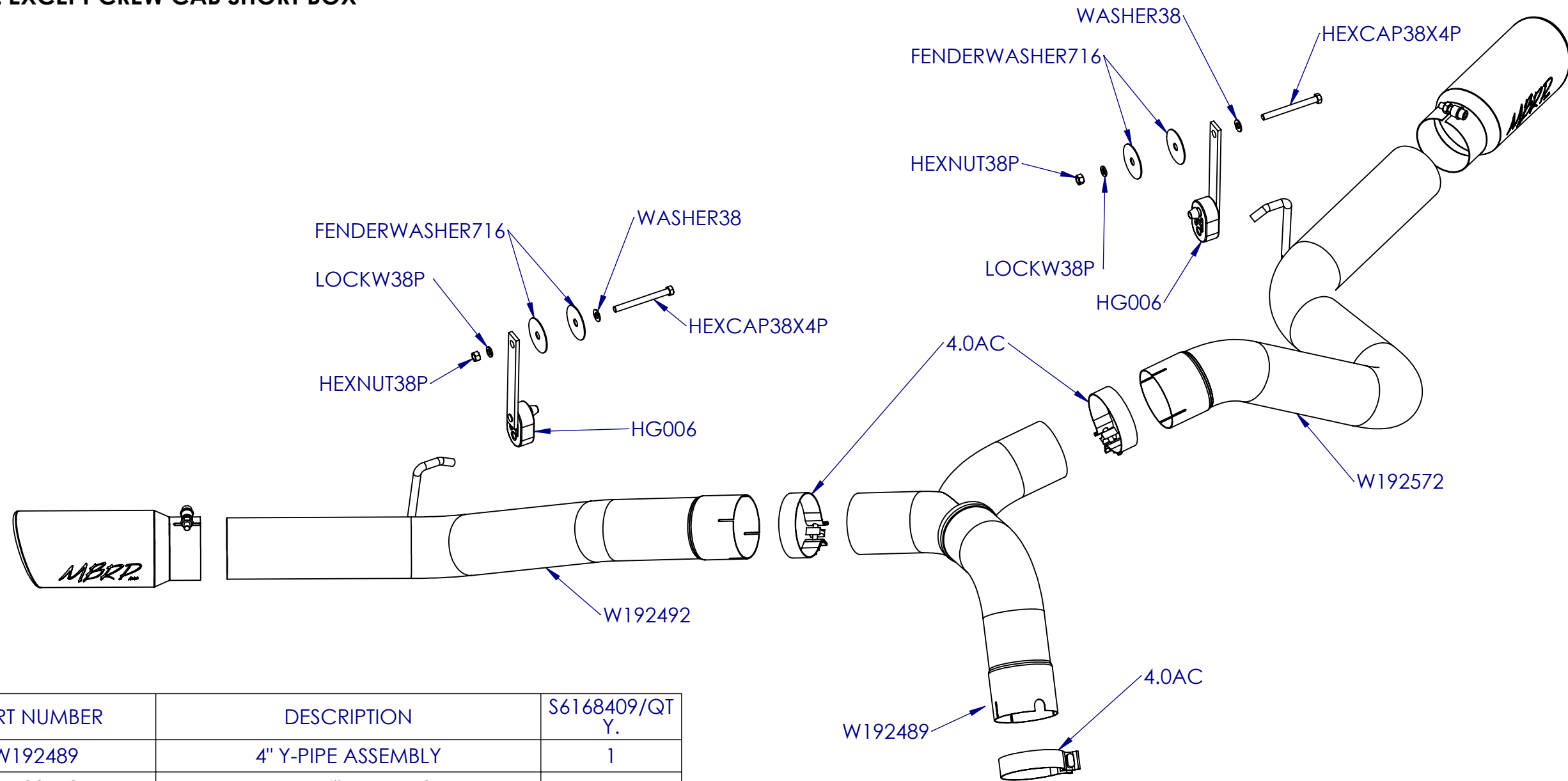


S6168409

2013-2014 RAM 3500, 2013 RAM 2500 6.7L CUMMINS DUAL
SIDE SPLIT - ALL EXCEPT CREW CAB SHORT BOX



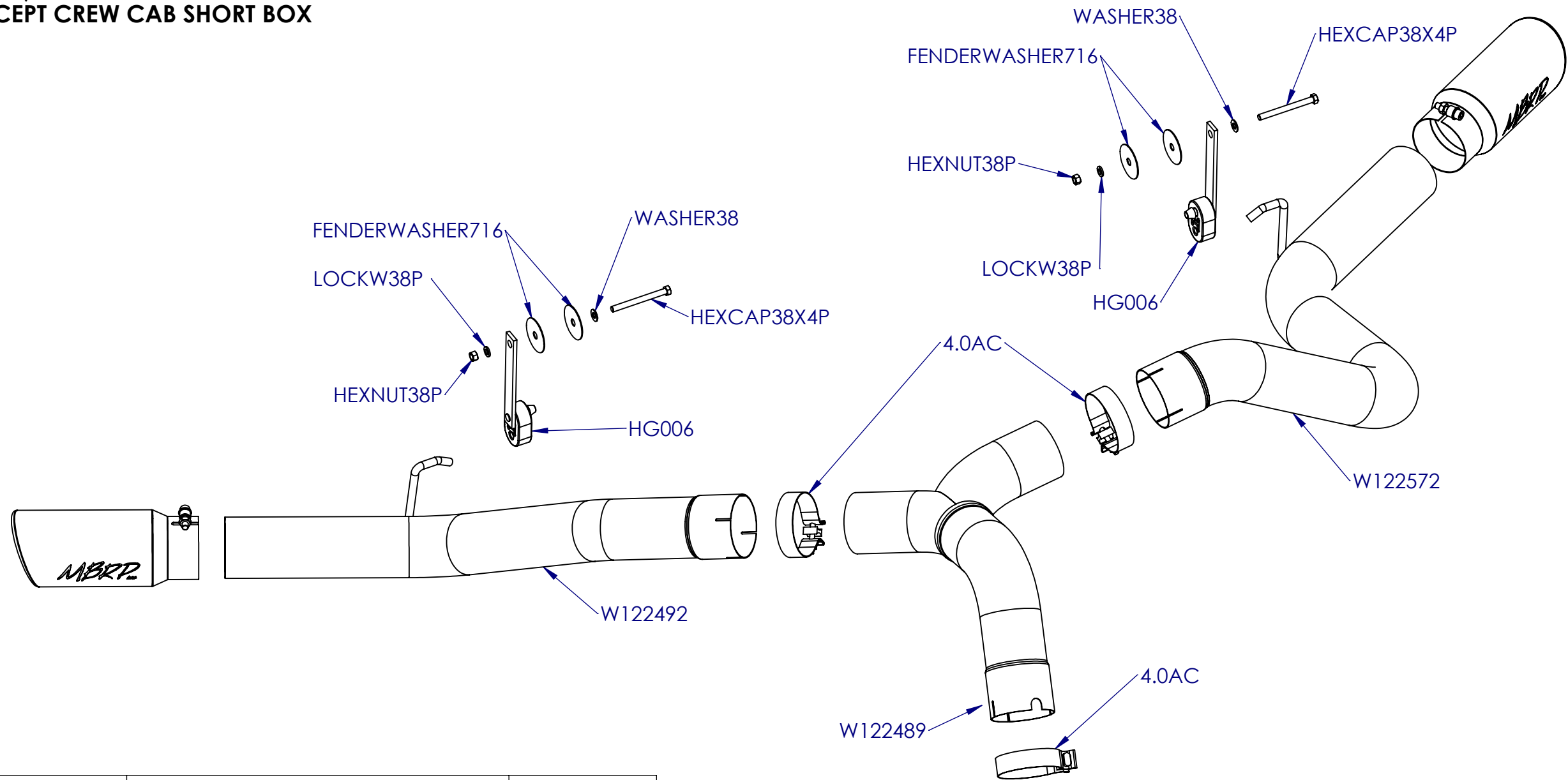
ITEM NO.	PART NUMBER	DESCRIPTION	S6168409/QT Y.
1	W192489	4" Y-PIPE ASSEMBLY	1
2	W192572	TAIL PIPE 4" DRIVER SIDE	1
3	W192492	TAIL PIPE 4" PASSENGER SIDE	1
4	T5051	4"-5" SINGLE WALL TIP ROLLED LIP	2
5	HG006	HANGER KIT	2
6	4.0AC	4.0" PLATED STEEL BAND CLAMP	3
7	HEXCAP38X4P	3/8"-16 X 4" HEX BOLT ZINC PLATED	2
8	WASHER38	3/8" FLAT WASHER ZINC PLATED	2
9	FENDERWASHER716	7/16 FENDER WASHER	4
10	LOCKW38P	3/8" REG SPLIT LOCK WASHER, ZINC PLATED	2
11	HEXNUT38P	3/8" UNC HEX NUT ZINC COATED	2

23-May-14
Rev. A

MBRP
INC.
PERFORMANCE EXHAUST

S6168AL

2013-2014 RAM 3500, 2013 RAM 2500 6.7L CUMMINS DUAL
SIDE SPLIT - ALL EXCEPT CREW CAB SHORT BOX



ITEM NO.	PART NUMBER	DESCRIPTION	S6168AL/QTY.
1	W122489	4" Y-PIPE ASSEMBLY	1
2	W122572	TAIL PIPE 4" DRIVER SIDE	1
3	W122492	TAIL PIPE 4" PASSENGER SIDE	1
4	T5051	4"-5" SINGLE WALL TIP ROLLED LIP	2
5	HG006	HANGER KIT	2
6	4.0AC	4.0" PLATED STEEL BAND CLAMP	3
7	HEXCAP38X4P	3/8"-16 X 4" HEX BOLT ZINC PLATED	2
8	WASHER38	3/8" FLAT WASHER ZINC PLATED	2
9	FENDERWASHER716	7/16 FENDER WASHER	4
10	LOCKW38P	3/8" REG SPLIT LOCK WASHER, ZINC PLATED	2
11	HEXNUT38P	3/8" UNC HEX NUT ZINC COATED	2

23-May-14
Rev. A