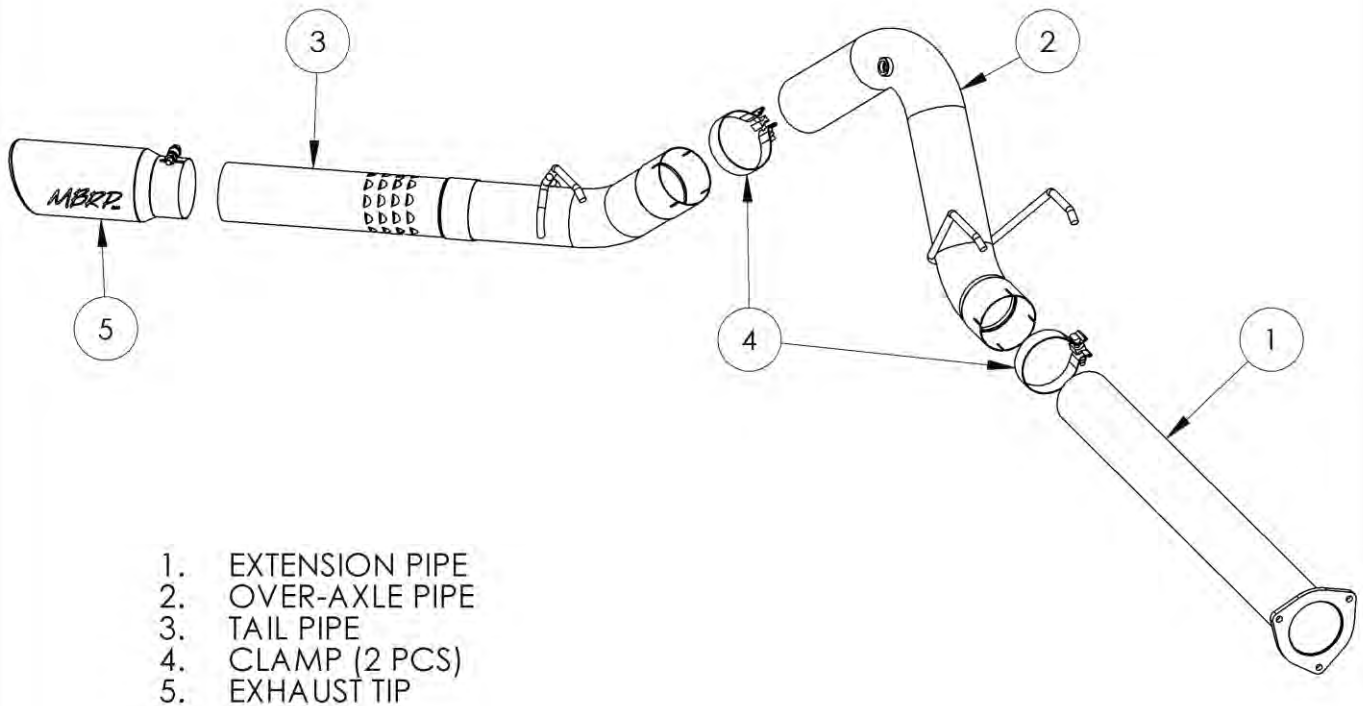


S6289

**2017 - UP F250/350/450 6.7L DPF BACK
4" SINGLE**

MBRP
INC.
PERFORMANCE EXHAUST



1. EXTENSION PIPE
2. OVER-AXLE PIPE
3. TAIL PIPE
4. CLAMP (2 PCS)
5. EXHAUST TIP

PLEASE READ BEFORE STARTING INSTALLATION

While MBRP Inc. has made every effort to ensure that all components of this system are of superior quality and properly packaged, it is the installer's responsibility to ensure the following before removal of the factory exhaust:

- that ALL components shown above are present.
- that ALL mating components fit together.
- that there are no damaged components.
- that the system you have purchased is appropriate for your vehicle year, model and configuration.
- that the system will not interfere with any modifications previously installed or planned.
- that you have read and understand these instructions.

If you have any questions or are uncertain about any aspect of the installation of this system to your vehicle please contact your dealer before commencing installation.

Removal of Stock System:



Figure 1

1. Apply a penetrating lubricant liberally to all exhaust fasteners, hangers and rubber isolators.

2. Remove the EGT from the factory tail pipe.
Refer to Figure 1.

3. Remove the 3 nuts retaining the factory tail pipe.
Refer to Figure 2.

4. Remove the two front rubber insulators with the tail pipe.
Refer to Figure 3.

5. Remove the 3 nuts retaining the factory extension pipe assembly and remove the factory extension pipe. Keep the nuts and the gasket for the installation.
Refer to Figure 4.



Figure 2



Figure 3



Figure 4

Installation of MBRP Inc. Performance Exhaust:

NOTE: Do not fully tighten any clamps until the entire system is properly aligned.

1. Determine the **Extension Pipe** length required for your vehicle and cut to length.
Refer to Figure 5.

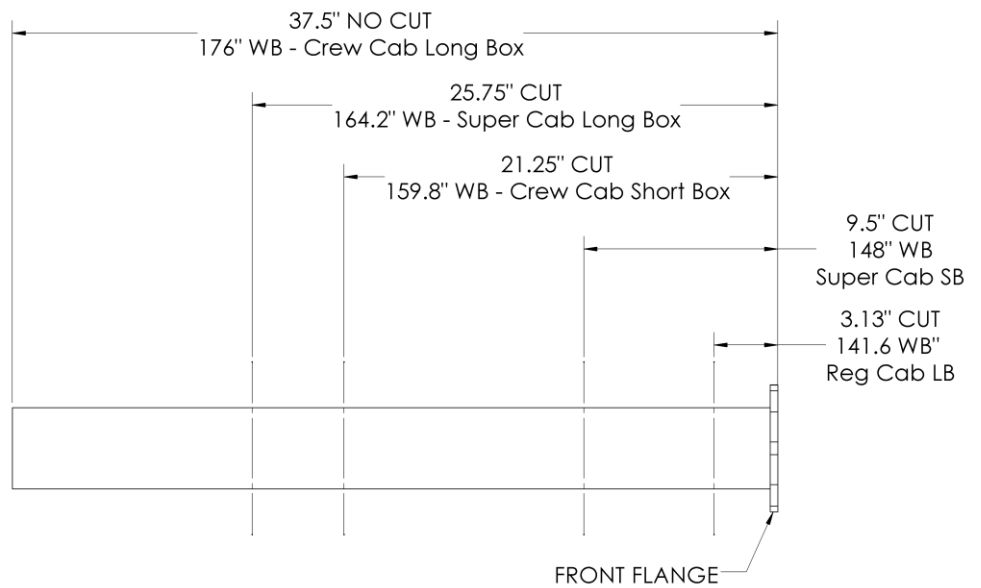


Figure 5



Figure 6

2. Loosely install the **Extension Pipe** onto the DPF using the original gasket and nuts.

Refer to Figure 6.

3. Replace the factory rubber isolators onto truck in the original position. Using a **Clamp** install the **Over-Axle Pipe** onto the **Extension Pipe** and into the rubber isolators.

Refer to Figure 7.



Figure 7

4. Place the remaining **Clamp**, onto the **Tail Pipe** inlet and install the **Tail Pipe** onto the **Over-Axle Pipe** and into the rear factory isolator.

Refer to Figure 8.

5. Install the **Exhaust Tip**.

Refer to Figure 9.

6. Install the factory EGT sensor into the **Tail Pipe**.

Refer to Figure 10.



Figure 8

7. Once everything is aligned, completely tighten all **Clamps** and hardware.

8. Check along the entire length of the exhaust system to ensure that there is adequate clearance between the exhaust system and heat shields, cross members, driveline, and body panels. Adjust the system if required.



Figure 9

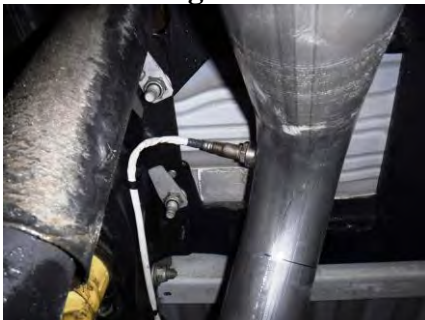


Figure 10



Congratulations! You are ready to begin experiencing the improved power, sound and driving experience of your **MBRP Inc.** performance exhaust system. We know you will enjoy your purchase.