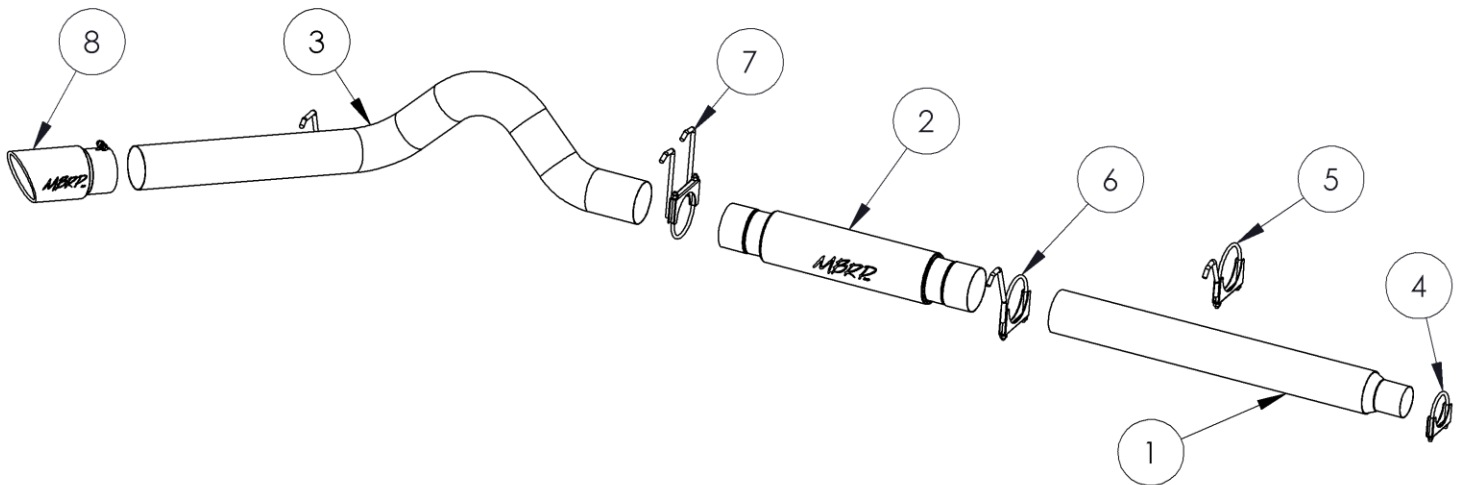


S62260

03-07 FORD F250/F350 6.0L
POWERSTROKE, CAT BACK, EC/CC, 5"
SINGLE SIDE

MBRP
INC.
PERFORMANCE EXHAUST



1. 3.5" TO 5" EXTENSION PIPE - 43.5"
2. EXTENSION PIPE
3. TAIL PIPE
4. 3.5" CLAMP
5. 5" HANGER CLAMP
6. 5" HANGER CLAMP
7. 5" HANGER CLAMP
8. EXHAUST TIP

PLEASE READ BEFORE STARTING INSTALLATION

While MBRP Inc. has made every effort to ensure that all components of this system are of superior quality and properly packaged it is the installer's responsibility to ensure the following before removal of the factory exhaust:

- that ALL components shown above are present.
- that ALL mating components fit together.
- that there are no damaged components.
- that the system you have purchased is appropriate for your vehicle year, model and configuration.
- that the system will not interfere with any modifications previously installed or planned.
- that you have read and understand these instructions.

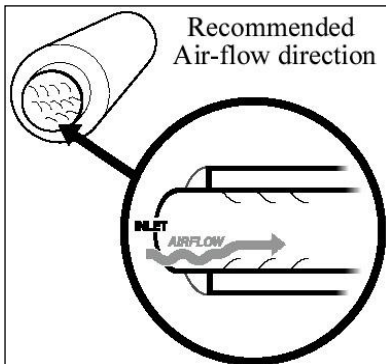
If you have any questions or are uncertain about any aspect of the installation of this system to your vehicle please contact your dealer before commencing installation.

Removal of stock system:

1. Loosen the nut on the band clamp located behind the catalytic converter using a 15mm wrench or socket.
2. Remove the muffler and tail pipe from the OEM rubber hangers. On 03-04 trucks remove bottom shock bolt of the passenger side shock to remove the system in one piece. **This is not required on 05 and newer models.** Separate the stock exhaust at the slip joint located behind the catalytic converter and remove the muffler and tail pipe from under the truck. **Re-install the bottom shock bolt.**
3. Using a 15mm wrench or socket, **loosen** the two nuts holding the catalytic converter inlet flange together.
4. Remove the spare tire. You may not be able to reinstall your spare tire after the installation of this exhaust system.

Installation of MBRP Inc. Performance Exhaust:

1. Install the **3.5" to 5" Extension Pipe** over the OEM pipe behind the **Catalytic Converter**. The **Extension Pipe** is pre-cut to fit a Crew Cab Long Bed truck. For Super Cab Long Bed trucks the **Extension Pipe** needs to be cut to a length of 29". For Crew Cab Short Bed trucks the **Extension Pipe** needs to be cut to a length of 27.5". For Super Cab Short Bed trucks the **Extension Pipe** needs to be cut to a length of 13". For the Regular Cab Long Bed the **Extension Pipe** needs to be cut to a length of 8".
2. Install the **Hanger Clamp** into the OEM rubber hanger located on the frame beside the inlet of the **Muffler**.



3. Install the **Muffler** over the **Extension Pipe** so that the exhaust will flow smoothly over the louvers. Refer to the illustration on the left.
4. Install the **Hanger Clamp** into the two OEM rubber hangers located above the outlet of the **Muffler**.
5. Install the **Tail Pipe** from the rear of the truck, over the axle and attach to the outlet of the **Muffler**. Install the tail pipe hanger into the OEM hanger to complete.
6. Install the provided clamps around the pipes where needed. The shortest **Hanger Clamp** is only required for installations on crew cab trucks. Adjust the **Tail Pipe** and check along the whole length of the exhaust system to ensure there is adequate clearance around the fuel and brake lines or any wiring. If there is any interference detected, relocate or adjust.
7. Install and adjust the **Exhaust Tip** to suit. Tighten the lock bolt located on the **Exhaust Tip**.
8. Make sure the exhaust is in place before tightening the clamps. Start at the front of the exhaust system and tighten all connections.

Congratulations! You are ready to begin enjoying the improved performance and driving experience of your MBRP Inc. performance exhaust system. We hope you enjoy your purchase.