



INSTALLATION GUIDE

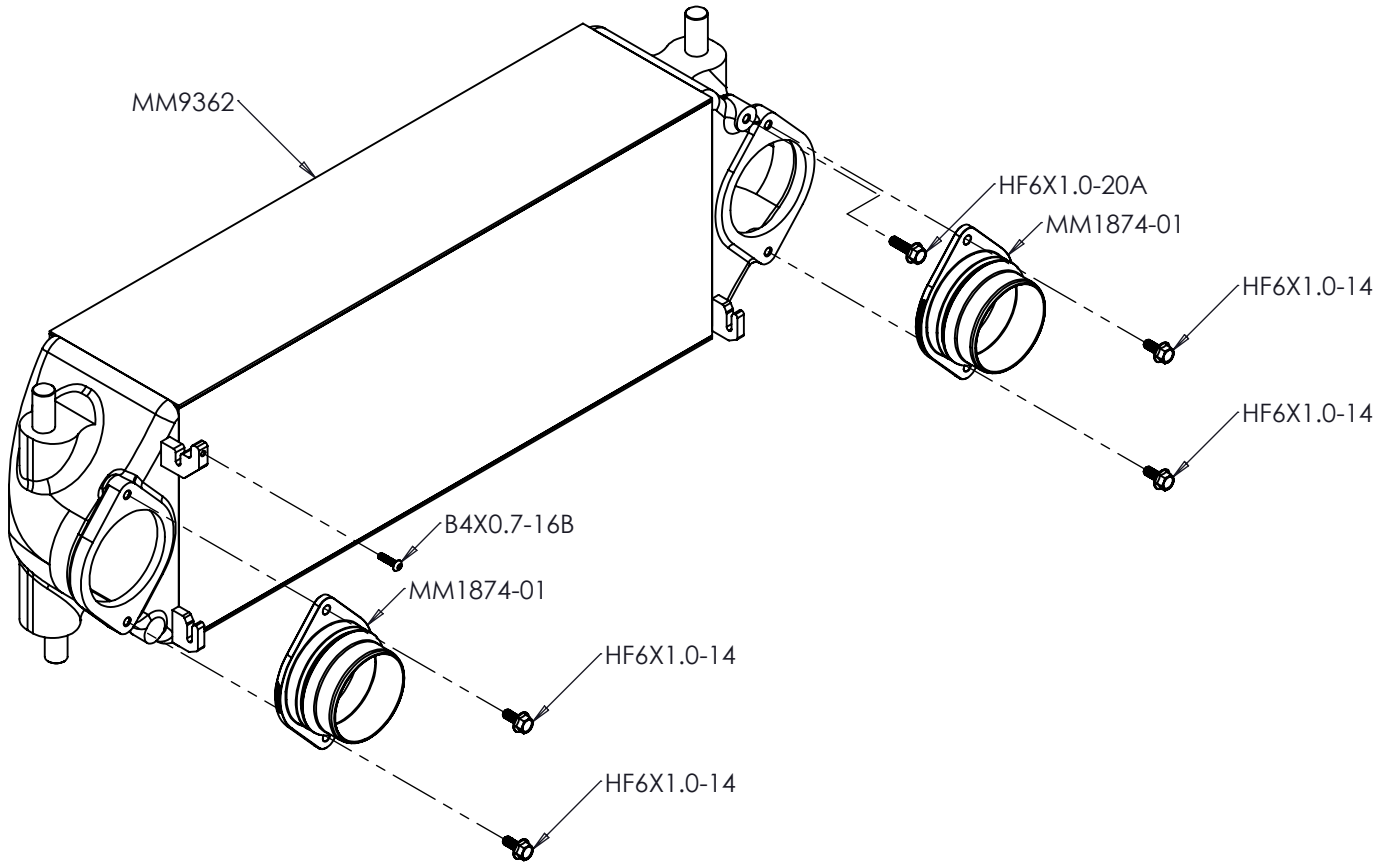
Stock Location Intercooler Fits 2021+ 2.3L/2.7L Ford Bronco
SKU: MMINT-BR-21

TABLE OF CONTENTS

- Pg 1** RESOURCES AND CONTACT INFORMATION
- Pg 2** PARTS BREAKDOWN
- Pg 3** IMPORTANT SAFETY INFORMATION
SUPPLIED PARTS
REQUIRED TOOLS
INSTALLATION INSTRUCTIONS
- Pg 4** DISPOSAL INSTRUCTIONS
WARRANTY INFORMATION

RESOURCES & CONTACT

-  **CALL 1-877-GOMISHI**
CUSTOMER SERVICE HOURS: MON-FRI 8:30AM-5:00PM EST
-  **MISHIMOTO**
-  **GOMISHIMOTO**
-  **MISHIMOTO**
-  **WEBSITE**
WWW.MISHIMOTO.COM
-  **ENGINEERING BLOG**
WWW.MISHIMOTO.COM/ENGINEERING



PARTS BREAKDOWN

PART NUMBER	DESCRIPTION	QTY
MM9362	INTERCOOLER	1
MM1874-01	ADAPTER ASSEMBLY	2
HF6X1.0-14	M6 BOLT — 14MM LENGTH	4
HF6X1.0-20A	M6 BOLT — 20MM LENGTH	1
B4X0.7-16B	M4 BOLT — 16MM LENGTH	1

Continued on next page

IMPORTANT SAFETY INFORMATION

- › Mishimoto recommends you use safety glasses and protective gloves during the installation of our products
- › Raise vehicle only on jack stands or on a vehicle lift
- › Allow vehicle to cool completely prior to attempting installation
- › Do not run the engine or drive the vehicle while overheating; serious damage can occur
- › Please dispose of any liquids properly
- › Mishimoto is not responsible for any vehicle damage or personal injury due to installation errors, misuse, or removal of Mishimoto products
- › If you need any assistance while installing our products, reach out to our Customer Service Team at 1-877-GOMISHI

REQUIRED TOOLS

- 2.5MM ALLEN WRENCH
- 10MM SOCKET
- 15MM SOCKET
- 1/4" RATCHET AND EXTENSION
- 3/8" RATCHET AND EXTENSION
- 1/4" TORQUE WRENCH

INSTALLATION INSTRUCTIONS

- 01.** Remove the front skid plate.
- 02.** Remove the lower intercooler mounting brackets.
- 03.** Disconnect the hot and cold side intercooler pipes from the intercooler, then remove the intercooler.
- 04.** Remove the intercooler mounting bushings from the stock intercooler and install them onto the Mishimoto intercooler.
- 05.** Fasten the MM1874-01 adapter assemblies to the intercooler using the provided hardware. Torque the bolts to 10Nm (88.5 in-lbs). (2x MM1874-01, 4x HF6x1.0-14) (Image on top right)



NOTE: If the Mishimoto intercooler is being installed on a vehicle equipped with the 2.7L engine, proceed to step 6. If the Mishimoto intercooler is being installed on a vehicle equipped with the 2.3L engine, proceed to step 7.



- 06.** Remove the fan shroud from the stock intercooler and install it onto the Mishimoto intercooler using the provided hardware. (1x HF6X1.0-20A, 1x B4X0.7-16B)
- 07.** Connect the hot and cold side intercooler pipes to the Mishimoto intercooler.
- 08.** Reinstall the lower intercooler mounting brackets.
- 09.** Reinstall the front skid plate.

Congratulations! You have completed your installation.

DISPOSAL INSTRUCTIONS

- › Do not dispose of any product as unsorted municipal waste. Use separate collection facilities. Contact your local authority for information regarding the collection systems available.
- › Never improperly dispose of any coolant, oil, or other chemicals.

WARRANTY INFORMATION



- › All claims must be accompanied with a picture of the Mishimoto product showing the issue for which the claim is being submitted.
- › Mishimoto asks that the customer inspect their purchased item for any damage immediately upon arrival.
- › Any product deemed dead on arrival (DOA) must be claimed within 14 business days of delivery. Claims outside of this time frame will not be covered under the Mishimoto Lifetime Warranty.
- › This warranty does not include payment and/or reimbursement of the cost of labor in connection with the removal of any product returned pursuant to the warranty policy or in connection with the installation of any replacement items provided under the warranty policy.
- › Mishimoto has the right to refuse a claim at any time.

- › When Mishimoto accepts a claim, Mishimoto retains full discretion to choose if it will: (i) repair or replace purchaser's original Mishimoto product; (ii) replace purchaser's original Mishimoto product with the most current available model; or (iii) provide the purchaser with a gift card redeemable on [Mishimoto.com](https://www.mishimoto.com) in the amount of the original purchase price of the original Mishimoto product. The provision of a replacement of a Mishimoto product is subject to availability and Mishimoto retains the right to substitute any warranty claim item with a comparable item or credit at any time.
- › If Mishimoto determines that it will provide a replacement item in connection with a claim under this warranty policy, and such item is out of stock, Mishimoto will place the customer on backorder and ship the replacement product to the purchaser once it becomes available.
- › Mishimoto is not liable for incorrect shipments in connection with a claim if a claim form is completed incorrectly, or if a model number is not included in a claim.
- › If you have a vehicle equipped with an automatic transmission, please make sure to specify this within the text box on the claim form. Mishimoto is not responsible for incorrect replacement shipments if transmission type is not indicated.



WARNING
Cancer and
Reproductive Harm
www.P65Warnings.ca.gov

This product can expose you to chemicals which are known to the state of California to cause cancer. For more information visit: www.p65warnings.ca.gov