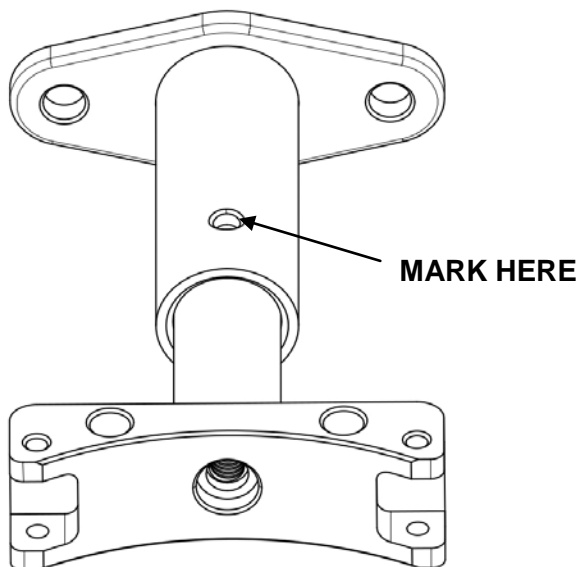




DRY SUMP TANK MOUNT P/N 22697

Mount the dry sump tank in the desired location, and mark the tank mount through the hole in the bracket as shown below. Remove the tank and bracket, and then drill a 1/4" thru hole in the marked location. We recommend a 1/4" bolt with a nylock nut to secure the mount.



***For Technical Assistance, Call Moroso's Tech Line at
(203) 458-0542, 458-0546 8:30am – 5:00pm Eastern Time***

MOROSO PERFORMANCE PRODUCTS, INC
80 CARTER DR • GUILFORD, CT 06437
Phone: (203) 453-6571 • Fax: (203) 453-6906

REV A
100719

Visit Us At www.moroso.com

22697INST