



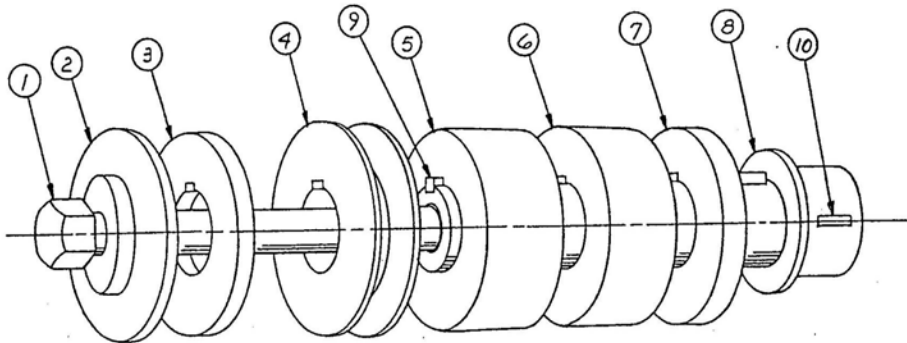
INSTRUCTIONS FOR P/N 63843

SBC Alternator Drive Kit

- 1) This kit is designed to work with Moroso P/N 63842 Alternator mount kit with older style Delco Remy Alternator.
- 2) It is recommended that Loctite is used on bolt threads.
- 3) Parts List:

- |                            |                                  |
|----------------------------|----------------------------------|
| 1) 7/16 - 20 x 6" GR8 HHCS | 6) Alum. Spacer (1.02")          |
| 2) Stepped Steel Washer    | 7) Alum. Spacer (.350")          |
| 3) Alum. Spacer (.250")    | 8) Drive Hub                     |
| 4) Alternator Pulley       | 9) 1/8" Square Key (Trim to fit) |
| 5) Alum. Spacer (1.06")    | 10) #606 Woodruff Key            |

The following diagram is the recommended arrangement of the alternator pulley and spacers when P/N 63842 is used without any accessories. These spacers may be removed or rearranged if an engine plate, crank trigger, and/or external oil pump is being used.



**For Technical Assistance, Call Moroso's Tech Line at  
(203) 458-0542, 8:30am – 5:00pm Eastern Time**

MOROSO PERFORMANCE PRODUCTS, INC  
80 CARTER DR • GUILFORD, CT 06437-2116  
Phone: (203) 453-6571 • Fax: (203) 453-6906