



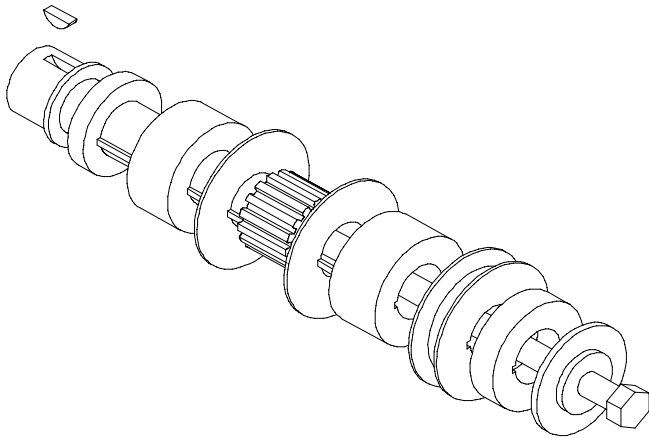
**Drive Kit - SBC
P/N 63845**

Parts List

- | | | | |
|----------------|-------------------|------------------|------------------------|
| 1 Spacer .350" | 1 Square Key 1/8" | 1 Pulley, V-Belt | 1 Lock Washer 7/16" |
| 1 Spacer .500" | 1 Drive Gear 16T | 1 Woodruff Key | 1 Stepped Steel Washer |
| 1 Spacer .905" | 2 Belt Guides | 1 Drive Hub | 1 HHCS 7/16 -20 x 7.5" |
| 1 Spacer .102" | | | |

This Drive Kit is designed to work with a Moroso Dry Sump Pump and Moroso Vacuum Pump mounted with a Moroso p/n 63910 Mounting Bracket on a motor plate.

The diagram below shows one of the many arrangements of all the accessories on the Drive Hub.



*For Technical Assistance, Call Moroso's Tech Line at
(203) 458-0542, 8:30am - 5:00pm Eastern Time*

MOROSO PERFORMANCE PRODUCTS, INC
80 CARTER DR • P.O. Box 1470 • GUILFORD, CT 06437
Phone: (203) 453-6571 • FAX (203) 453-6906

Visit Us At www.moroso.com



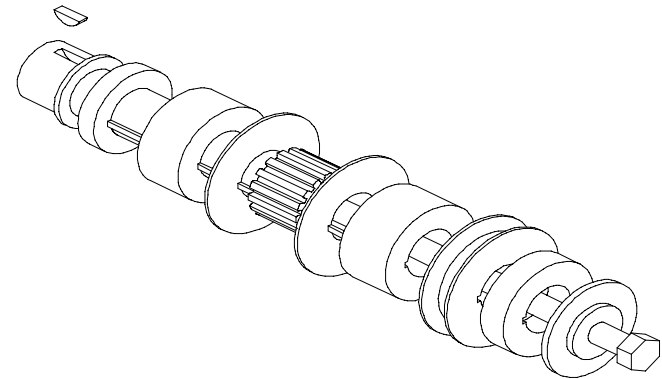
**Drive Kit - SBC
P/N 63845**

Parts List

- | | | | |
|----------------|-------------------|------------------|------------------------|
| 1 Spacer .350" | 1 Square Key 1/8" | 1 Pulley, V-Belt | 1 Lock Washer 7/16" |
| 1 Spacer .500" | 1 Drive Gear 16T | 1 Woodruff Key | 1 Stepped Steel Washer |
| 1 Spacer .905" | 2 Belt Guides | 1 Drive Hub | 1 HHCS 7/16 -20 x 7.5" |
| 1 Spacer .102" | | | |

This Drive Kit is designed to work with a Moroso Dry Sump Pump and Moroso Vacuum Pump mounted with a Moroso p/n 63910 Mounting Bracket on a motor plate.

The diagram below shows one of the many arrangements of all the accessories on the Drive Hub.



*For Technical Assistance, Call Moroso's Tech Line at
(203) 458-0542, 8:30am - 5:00pm Eastern Time*

MOROSO PERFORMANCE PRODUCTS, INC
80 CARTER DR • P.O. Box 1470 • GUILFORD, CT 06437
Phone: (203) 453-6571 • FAX (203) 453-6906

Visit Us At www.moroso.com