

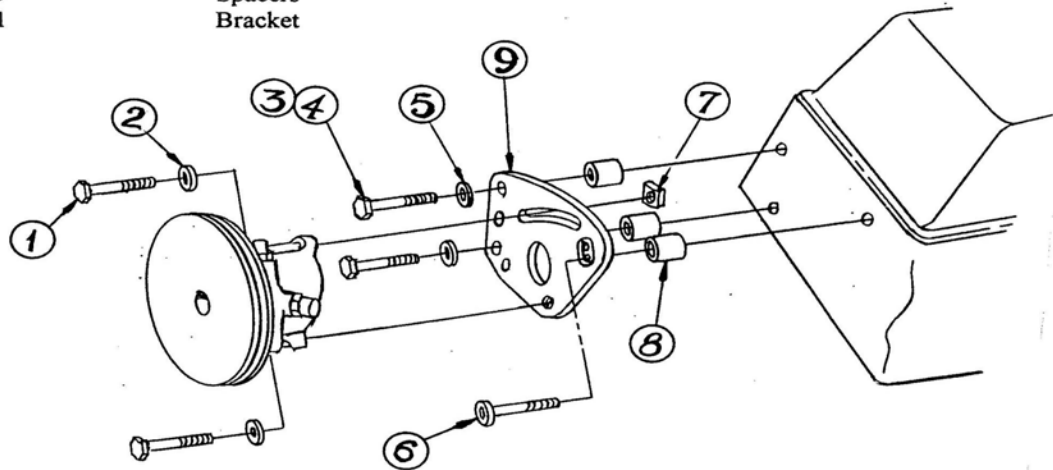


**INSTALLATION INSTRUCTIONS**  
**MOROSO POWER STEERING MOUNT KIT - P/N 63897**

1. This kit is designed to mount a late model small style GM power steering pump (with remote reservoir) or Sweet Manufacturing type pumps to the driver's side cylinder head on either 18° or 23° heads.
2. Use Moroso power steering pulley, P/N 64860, and a 36° x 1/2" wide V-belt. Gates P/N 7345 or equivalent.
3. NOTE: It may be necessary to modify hardware and spacers supplied with this kit to achieve proper V-belt alignment.

**PARTS LIST**

| <u>QTY.</u> | <u>DESCRIPTION</u>         |
|-------------|----------------------------|
| 2           | 5/16-18 X 2 1/2 Bolts      |
| 2           | .344 I.D. Flat Washers     |
| 2           | 3/8-16 x 1.75 Bolts        |
| 2           | 3/8-16 x 3.25 Bolts        |
| 2           | .406 I.D. Flat Washers     |
| 1           | 3/8-16 Flat Head Cap Screw |
| 1           | 5/16-18 Square Nut         |
| 3           | Spacers                    |
| 1           | Bracket                    |



**For Technical Assistance, Call Moroso's Tech Line at  
(203) 458-0542, 8:30am – 5:00pm Eastern Time**

MOROSO PERFORMANCE PRODUCTS, INC  
80 CARTER DR • GUILFORD, CT 06437-2116  
Phone: (203) 453-6571 • Fax: (203) 453-6906