



## INSTALLATION INSTRUCTIONS

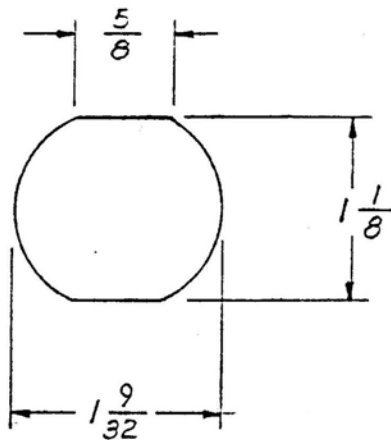
MOROSO PART NO. 74140    REMOTE BATTERY JUMPER TERMINALS

These terminals can be mounted remotely in any convenient location providing easy accessibility for jumping or charging battery.

After selecting the location, cut holes as per the diagram below.

Install the terminals and secure in place with lock-nut.

Connect each terminal to the corresponding pole on the battery using high amperage battery cable such as our Moroso Part No.74000 Battery Cable Kit.



**For Technical Assistance, Call Moroso's Tech Line at  
(203) 458-0542, 8:30am – 5:00pm Eastern Time**

MOROSO PERFORMANCE PRODUCTS, INC  
80 CARTER DR • GUILFORD, CT 06437-2116  
Phone: (203) 453-6571 • Fax: (203) 453-6906