



655 Eisenhower Drive
Owatonna, MN 55060 USA
Phone: (507) 455-7000
Tech. Serv.: (800) 533-6127
Fax: (800) 955-8329
Order Entry: (800) 533-6127
Fax: (800) 283-8665
International Sales: (507) 455-7223
Fax: (507) 455-7063

Form No. 106243

Operating Instructions for:

223196

Transmission Adapter Kit

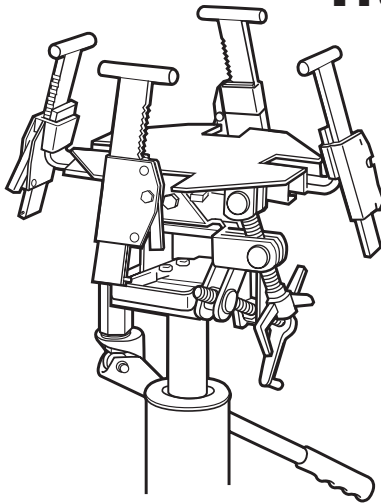
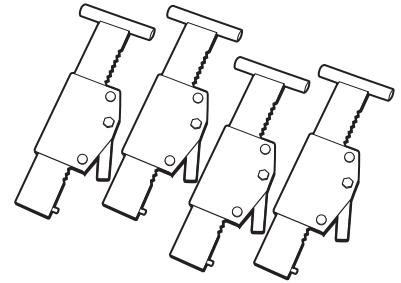


Figure 1

These adapters are designed to help stabilize transmissions that have a non-flat bottom surface.

No. 223196 Transmission Adapter Kit
(set of four adapters)

No. 223197 Replacement Adapter
(one adapter only)



Safety Precautions

! CAUTION: To prevent personal injury,

- Wear eye protection that meets ANSI Z87.1 and OSHA standards.
- Follow the safety precautions included with the transmission jack.
- Do not modify these adapters or use attachments unless supplied by OTC Corporation.
- Never exceed the rated capacity of the transmission jack.
- Secure the load to the jack with a chain or strap.

Operating Instructions

Important: These adapters are designed to stabilize the transmission only. The majority of the transmission's weight must be carried by the top platform of the jack.

1. Place an adapter on each of the four jack brackets as shown in Figure 1.
2. With the adapters adjusted down and out of the way, and the jack's top platform level, raise the jack until the top platform meets the bottom of the transmission.
3. Remove any obstructions, such as bolts, that will keep the top bars of the adapters from seating against the transmission.
4. Using the ratcheting feature, adjust the jack brackets and the adapters so the adapter top bars seat against the transmission. See Figures 2 & 3.
5. Secure the transmission to the jack with the chain or strap provided by the jack manufacturer.
6. With the engine correctly supported, slowly lower the transmission.

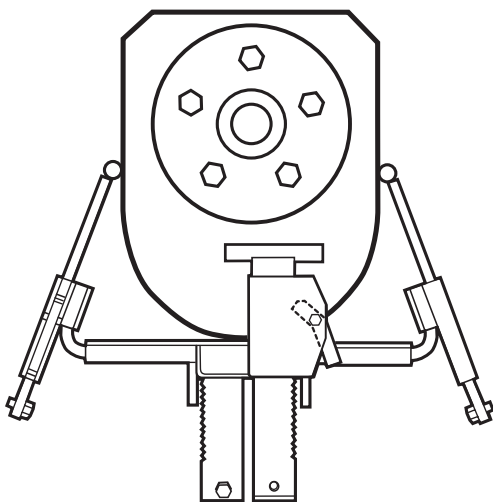


Figure 2

Non-flat transmission bottom - no oil pan

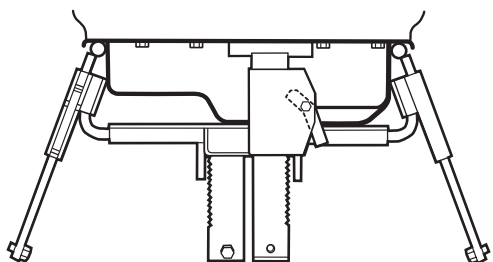


Figure 3

Transmission with non-flat oil pan

Sheet No. 1 of 1

Rev. B Issue Date: 8-28-2017