



655 Eisenhower Drive
Owatonna, MN 55060 USA
Phone: (507) 455-7000
Tech. Serv.: (800) 533-6127
Fax: (800) 955-8329
Order Entry: (800) 533-6127
Fax: (800) 283-8665
International Sales: (507) 455-7223
Fax: (507) 455-7063
Website: otctools.com

Form No. 562926

Parts List &
Operating Instructions for: 5285
1066521-00-A



Original Instructions

Power Train Lift

Max. Capacity: 1,650 lbs. (748 kg)





Description:


Use to remove, install, and transport a wide range of power train assemblies. Typical components include engine and transmission assemblies, gas tanks, drive axle assemblies, engine / transaxle assemblies, electric vehicle batteries, and more.

Explanation of Safety Signal Words

The safety signal word designates the degree or level of hazard seriousness.

 **DANGER:** Indicates an imminently hazardous situation which, if not avoided, will result in death or serious injury.

 **WARNING:** Indicates a potentially hazardous situation which, if not avoided, could result in death or serious injury.

 **CAUTION:** Indicates a potentially hazardous situation which, if not avoided, may result in minor or moderate injury.

CAUTION: Used without the safety alert symbol indicates a potentially hazardous situation which, if not avoided, may result in property damage.

Sheet No. 1 of 4

Issue Date: Rev. F March 5, 2018

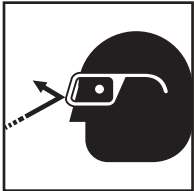
Safety Precautions



WARNING: To prevent personal injury or equipment damage,



- Study, understand, and follow all instructions before operating this device.
- Wear eye protection that meets OSHA and ANSI Z87.1 standards.
- No alterations shall be made to this product
- Before using the lift, inspect the unit for leaks, or damaged, loose, or missing parts. Immediately replace cut, frayed, damaged hoses, and electrical cords.
- Only use attachments and / or adapters supplied by the manufacturer.
- Adequately support the vehicle before starting repairs.
- Securely tighten the strap assembly around the component being lifted.
- Do not exceed the rated capacity.
- Do not lift or move a load that has a center of gravity extending beyond the wheels. Tipping can result in personal injury.
- Do not move the lift while the load is raised. Lower the load completely before moving or storing the load.
- Carefully and slowly move a load on an incline or around a corner. Tipping can result in personal injury.
- Use only on a hard, level surface.
- Do not stand under a load that is supported by the lift.
- The component must be securely held in place before it is removed from the lift.



Operating Instructions

Removal

1. Follow the vehicle manufacturer's recommended service procedure for removal of the component.
2. Position the power train lift under the vehicle. Connect the air hose to the pump.
3. Use the foot pedal to raise the lift to the load.
4. Adjust the wood blocks to fit the assembly, and tighten the nuts to secure the blocks in place.
5. Turn the adjusting screws to align the lift with the component. Raise the lift to the correct position.
6. Place the strap assembly around the component, and tighten the strap securely to the hook holes.
7. Remove any remaining bolts from the vehicle component.
8. Completely lower the power train lift using the foot pedal control.
9. Move the lift and load out from under the vehicle.

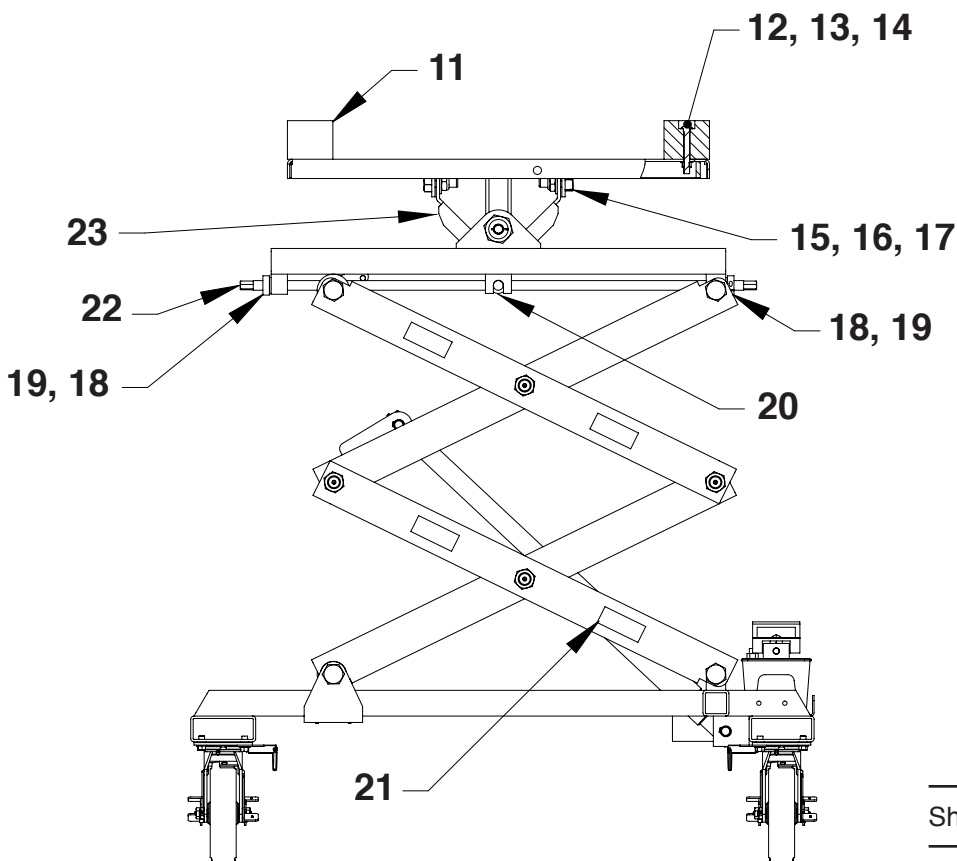
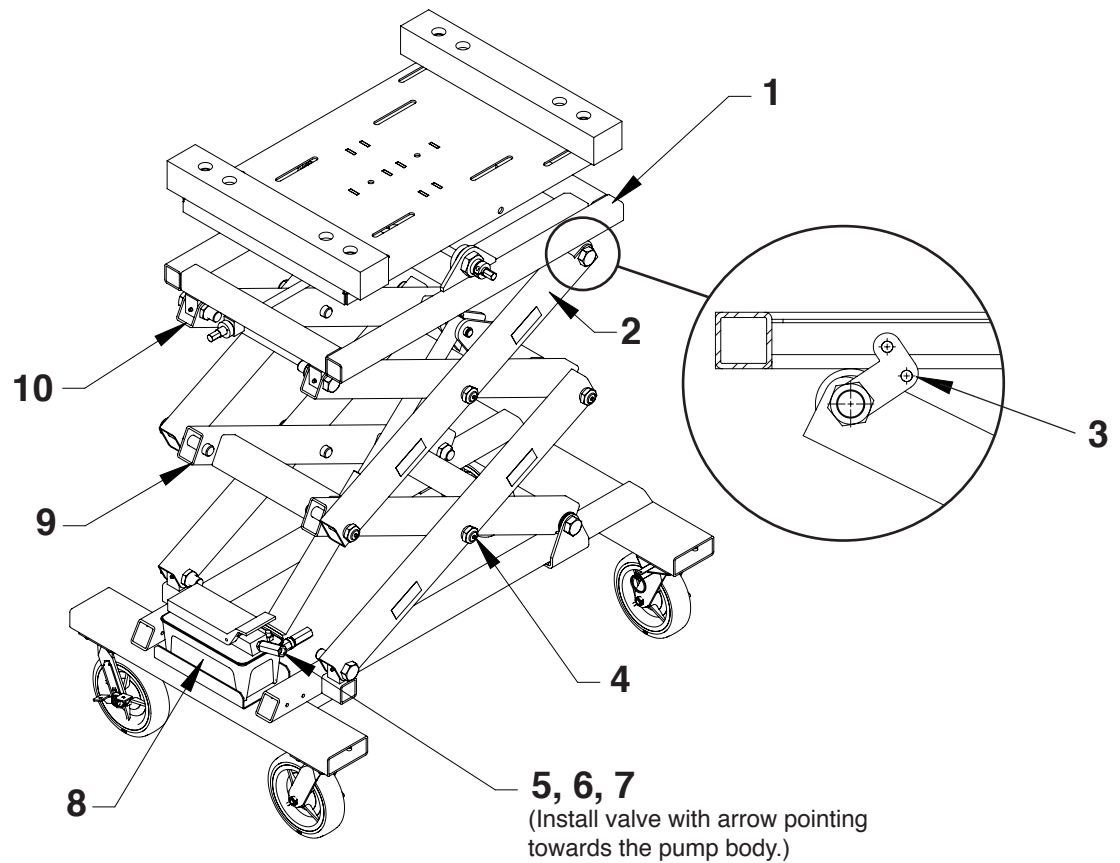
Installation

1. Position the power train lift under the chassis.
2. Raise the power train lift and turn the adjusting screws to align the component in the correct position.
3. Follow the vehicle manufacturer's recommended service procedure for installing the component.

Maintenance

Use a good grade lubricant to regularly lubricate the pivot points, adjusting screws, and swivel casters.

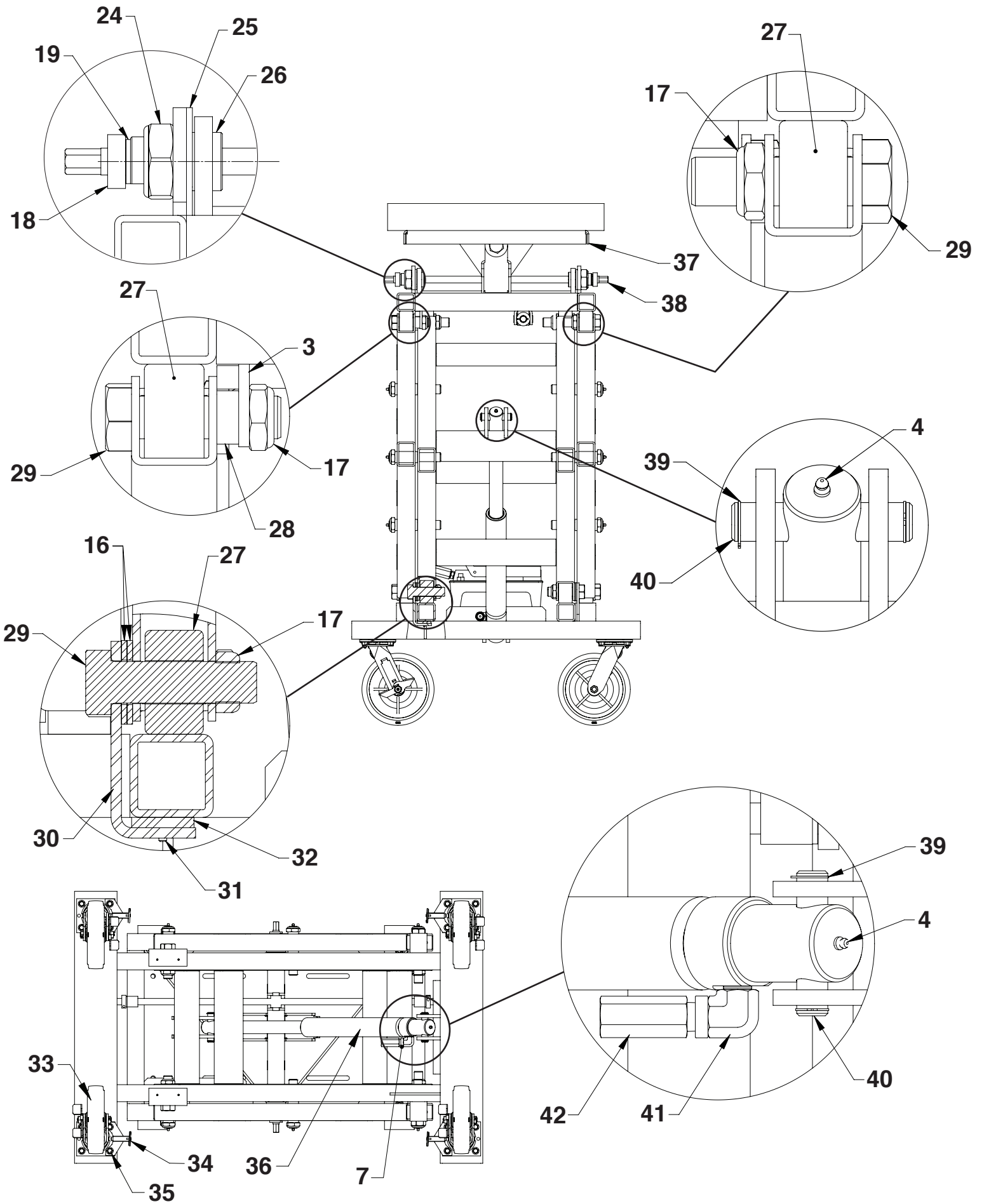
Parts List



Order replacement parts
at OTCparts.com

This document contains product parts lists and information regarding operation and maintenance. Items listed in the parts list have been carefully tested and selected by OTC. Therefore, use only OTC replacement parts.

Product questions may be directed to the OTC Technical Service Department at (800) 533-6127.

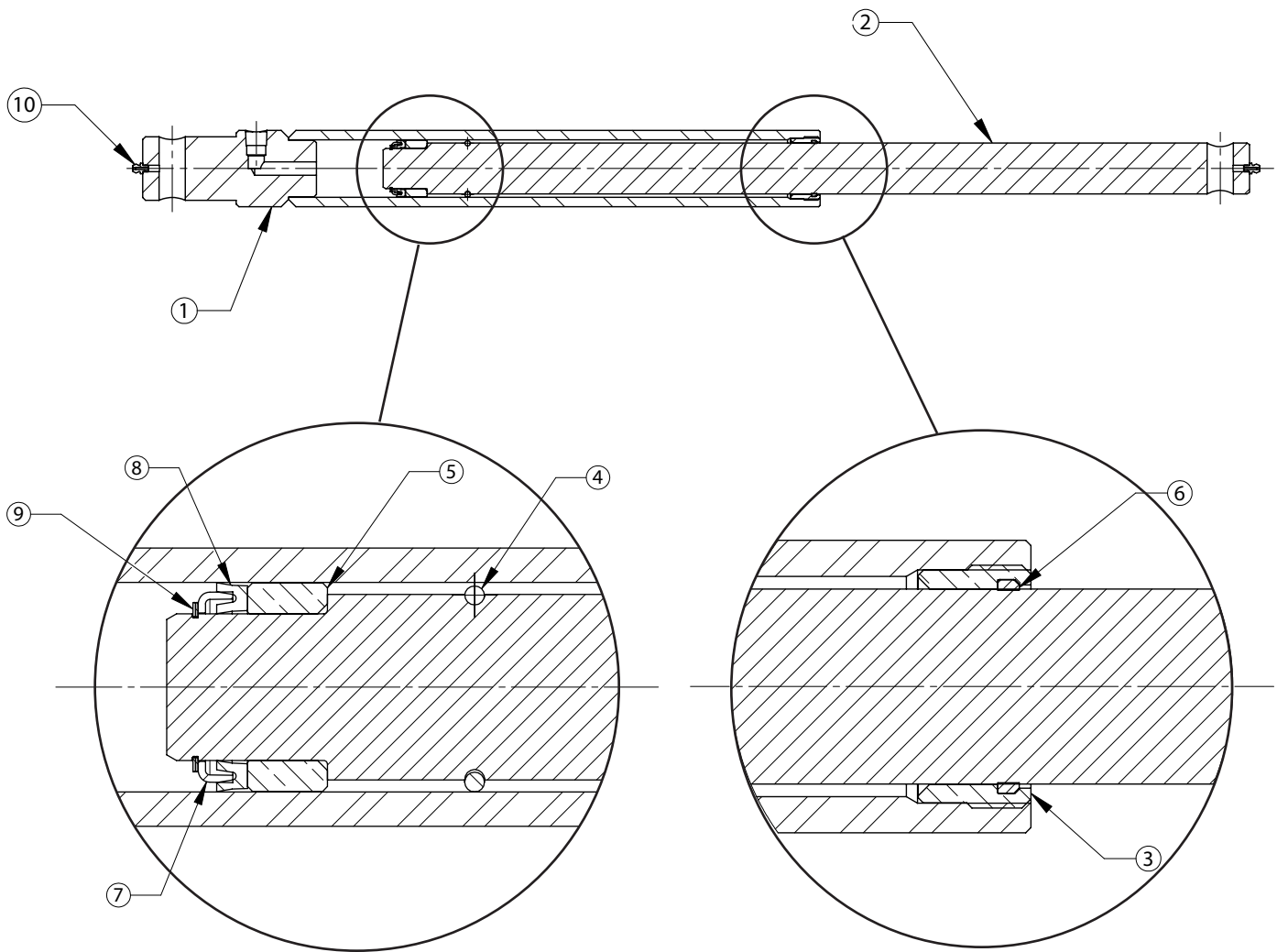


Parts List

| Item No. | Qty. | Part No. | Description |
|----------|------|---------------|---|
| 1 | 1 | 564082 | Table Base (for 5285) |
| | 1 | 576775 | Table Base (for 1066521-00-A) |
| 2 | 4 | 564060 | Frame Tube |
| 3 | 1 | 564088 | Retaining Plate |
| 4 | 12 | 16696 | Alemite Grease Fitting |
| 5 | 1 | 566055 | Inline Flow Regulator Valve (Install valve with arrow pointing towards the pump body.) |
| 6 | 1 | 10673 | Straight Fitting |
| 7 | 1 | 563966 | Hydraulic Hose |
| 8 | 1 | 560111 | Air Pump |
| 9 | 1 | 564063 | Riser Frame (for 5285) |
| | 1 | 576774 | Riser Frame (for 1066521-00-A) |
| 10 | 1 | 564058 | Rise Frame (for 5285) |
| | 1 | 576773 | Rise Frame (for 1066521-00-A) |
| 15 | 2 | 564094 | Hex Head Cap Screw |
| 16 | 6 | 11253 | Type "A" Washer |
| 17 | 18 | 564076 | Hex Locknut |
| 18 | 4 | 526998 | Locking Collar |
| 20 | 2 | 523970 | Trunnion |
| 21 | 8 | 218297 | Warning Decal |
| 22 | 1 | 523964 | Forcing Screw |
| 23 | 1 | 564090 | Tilt Table |
| 26 | 2 | 564079 | Bushing |
| 27 | 4 | 579188 | Roller |
| 28 | 1 | 564084 | Spacer |
| 29 | 8 | 564092 | Hex Head Cap Screw |
| 36 | 1 | 565808 | Hydraulic Cylinder |
| 37 | 1 | 523969 | Table |
| 38 | 1 | 523966 | Forcing Screw |
| 41 | 1 | 564118 | Elbow |
| 42 | 1 | 564117 | Velocity Fuse |

Replacement Kit List

| Item No. | Qty. | Description |
|---|------|--|
| 565243 Hardware Kit | | |
| 19 | 4 | Thrust Bearing Washer |
| 24 | 2 | Nylon Insert Locknut |
| 25 | 2 | Washer |
| 565244 Keeper Plate Kit (for 5285) | | |
| 30 | 2 | Keeper Plate |
| 31 | 4 | Screw (10-24 x 1/2) |
| 32 | 2 | Glide Strip |
| 577249 Keeper Plate Kit (for 1066521-00-A) | | |
| 30 | 2 | Keeper Plate |
| 31 | 4 | Screw (10-24 x 1/2) |
| 32 | 2 | Glide Strip |
| 565247 Wood Block Kit | | |
| 11 | 2 | Wood Block |
| 12 | 4 | Carriage Bolt |
| 13 | 4 | Washer |
| 14 | 4 | Hex Nut |
| 579910 Cylinder Pin Hardware Kit | | |
| 39 | 4 | Retaining Ring |
| 40 | 2 | Cylinder Pivot Pin |
| 579912 Caster Kit | | |
| 33 | 1 | Swivel Caster with Brake |
| 34 | 1 | Caster Swivel Lock |
| 579913 Bolt Pack | | |
| 35 | 6 | Serrated Flange Bolt (3/8"-16 X 3/4") |



Cylinder Parts List

566057 Seal Replacement Kit

| Item No. | Qty. | Part No. | Description |
|----------|------|---------------|-----------------------------|
| 1 | 1 | 565801 | Cylinder Weldment |
| 2 | 1 | 565804 | Rod |
| 3 | 1 | * | Retainer Nut |
| 4 | 1 | * | Retaining Ring |
| 5 | 1 | * | Cylinder Bushing |
| 6 | 1 | * | Wiper Rod |
| 7 | 1 | * | Slip Retainer |
| 8 | 1 | * | U-cup Packing (Piston Type) |
| 9 | 1 | * | External Retaining Ring |
| 10 | 2 | * | Alemite Grease Fitting |

| Item No. | Qty. | Description |
|----------|------|-------------------------|
| 3 | 1 | Retainer Nut |
| 4 | 1 | Retaining Ring |
| 5 | 1 | Cylinder Bushing |
| 6 | 1 | Wiper Rod |
| 7 | 1 | Slip Retainer |
| 8 | 1 | U-cup Packing |
| 9 | 1 | External Retaining Ring |
| 10 | 2 | Alemite Grease Fitting |

* Included in Seal Replacement Kit

Inspection and Maintenance



CAUTION: To prevent personal injury,

- Only qualified personnel shall perform inspections and repairs to this power train lift.
- Before each use, an approved inspector must inspect the power train lift for bends, cracks, dents, elongated holes, or missing hardware. If damage is found, discontinue use.
- Use only those repair parts called out in the parts list in this document. Items found in the parts list have been carefully tested and selected by OTC.

Inspection

Before each use, an approved inspector must inspect the power train lift for bends, cracks, dents, elongated holes, or missing hardware. If damage is found, discontinue use.

Maintenance

Periodically lubricate the jacking screws and wheel assemblies with lubricating oil or grease.

Repair

When repairing the power train lift, use only those repair parts called out in the parts list in this document. Items found in the parts list have been carefully tested and selected by OTC.

Disposal

At the end of the useful life of the power train lift, dispose of the components according to all state, federal, and local regulations.

IMPORTANT PRODUCT INFORMATION

Record serial number and year of manufacture for future reference. See product identification label on unit for information.

5285

1066521-00-A

Serial Number: _____ Year of Manufacture: _____