

Congratulations on your purchase of a high quality PUTCO product. Should you need any application or technical assistance feel free to call us at:

(800-247-3974)

Monday - Friday 8:00 a.m. - 5:00 p.m. (Central Standard Time)

Contact your PUTCO dealer for other quality accessories.

Putco Inc. - 216 West First Street - Story City, Iowa 50248

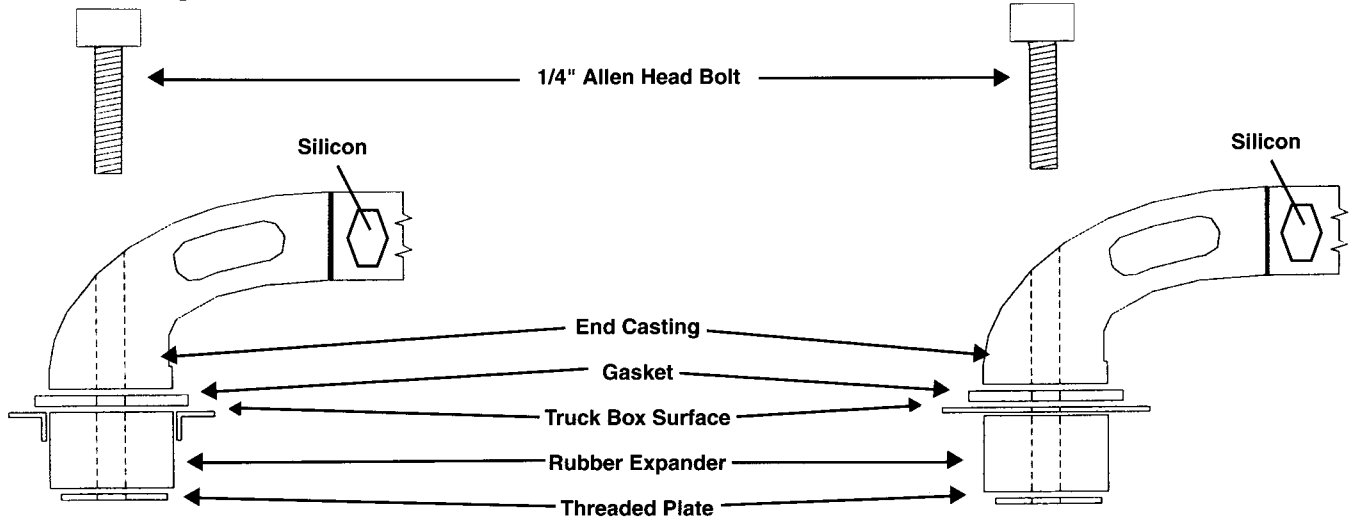
INSTALLATION INSTRUCTIONS FOR STAINLESS STEEL AND BLACK PAINTED SIDE RAILS (A) WITH STAKE POCKETS, (B) WITHOUT STAKE POCKETS, OR (C) WITH TOOLBOX.

PLEASE READ ALL INSTRUCTIONS BEFORE BEGINNING INSTALLATION AND BE SURE TO CHECK TO SEE THAT ALL PARTS AND HARDWARE ARE INCLUDED.

NOTE: ON PICKUPS WITH PLASTIC STAKE HOLE INSERTS: REMOVE THE INSERT AND DRILL A 3/8" HOLE IN THE CENTER OF IT. WHEN INSTALLING, PLACE THE FACTORY INSERT BETWEEN THE PUTCO GASKET AND THE RUBBER EXPANDER.

(A) For Mounting to Sidebed When Using Stake Pocket

(B) For Mounting to Sidebed When Not Using Stake Pocket



NOTE: For pickups that do not have stake pocket holes or are mounting with a toolbox, 5/16" holes will need to be drilled for installation of side rails. Apply a silicon sealant to all drilled holes before mounting to prevent any corrosion. Apply a silicon sealant on the inside of the tube where it meets the casting to eliminate any spinning that might occur.

Step 1: Install allen head bolts through the hole in stake pocket casting, rubber oval gasket and rubber expander.

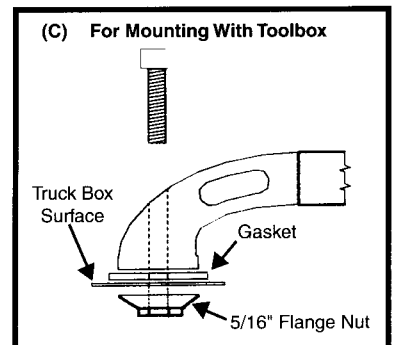
NOTE: Mounting with toolbox: Install casting in rear stake holes. Position other casting on top of bed, mark location to be drilled. Drill a 5/16" hole. Use a flange nut to secure. **(SEE FIGURE (C))**
Due to the strength of the bed on the 1999 Chevy/GMC Silverado, PUTCO recommends using a bed rail protector between the Locker Rail and the truck bed. Failure to do so could cause the truck bed to deform when you tighten the bolt on the front casting.

Step 2: Install threaded back plate on the allen head bolt. Snugly tighten using 1/4" allen wrench.

Step 3: Install complete stake pocket assembly into the rear stake hole of the pickup bed.

Step 4: Slide end of tubing over end of stake pocket casting. Repeat step 3 for the front stake pocket hole. **(Be careful not to scratch pickup.)**

Step 5: Tighten allen head bolts using 1/4" allen wrench to 20ft/lbs. for stake pocket mount and 5ft/lbs. for drill mounts.



Note: PUTCO recommends applying a high quality automotive wax to maintain the original appearance, help prevent water spotting and weathering on your new locker side rails.

LIMITED WARRANTY

Putco guarantees its products against defects in workmanship of material for the time period stated. Any defects resulting from faulty material workmanship will be warranted by Putco with the replacement of defective part.

Damages caused by improper installation, misuse, collision, or neglect will not be warranted by Putco. Putco will be sole judge of all warranties! Proof of purchase necessary for all warranty claims.

Aluminum Products	One Year
Stainless Steel Products	One Year
Painted Surfaces	90 Days