



**A Holley Performance Brand**

# TIME DELAY SWITCH P/N 15838ANOS

## Installation Instructions A5162-SNOS

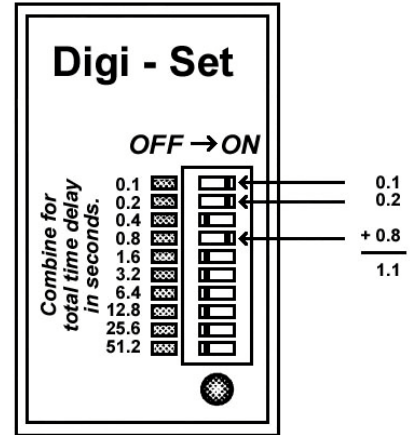
This time delay switch will allow you to activate a second stage of nitrous as a function of time.

Use the small switches on the top of the timer to set the amount of delay (0.1 to 102.3 seconds).

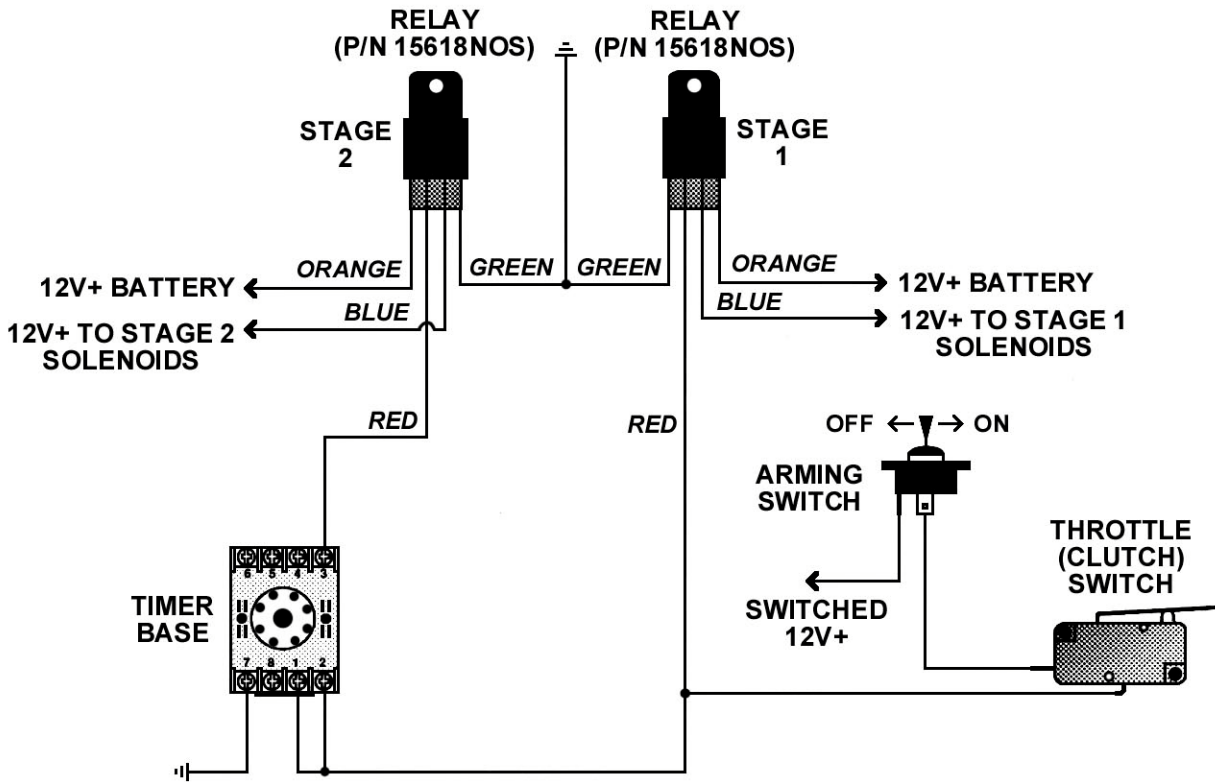
If using an RPM switch, connect the yellow wire from the RPM switch to the green wire of the relays.

If using a pushbutton, connect it in place of the throttle (clutch) switch shown.

**CAUTION!** The time delay switch is only rated for 10 amps. Using the relay is a definite **MUST!**



This time delay switch is set to activate a 2nd stage of nitrous after a delay of 1.1 seconds.



**NOS Technical Support**  
Phone: 1-866-GOHOLLEY  
Fax: 1-270-781-9772

For online help, please check the Tech Service section of our website: [www.holley.com](http://www.holley.com)