



SERIES ONE | LENS PROTECTOR

INSTALLATION INSTRUCTIONS

Model No.



AC538806-1

AC538808-1

AC538807-1

AC538809-1

A Horizon Brands Company
2975 Red Hill Ave, Ste. 100, Costa Mesa, CA 92626
Copyright © 2022 ADC Offroad and Adventure, LLC. All rights reserved.

Follow manufacturer's instructions to ensure the product is properly & safely installed. The manufacturer and seller are not responsible or liable for consequential, incidental, or indirect damages, whether to person or property, resulting from the installation or improper use of this product.

- Before installing, please make sure the Driving Lights are free from damage, fracture and no impurities.
- Considering the high intensity of light, DO NOT stare at the light when it is switched on.
- The surface of the LED will reach very high temperature when it is turned on. DO NOT touch the surface directly to avoid severe burns.
- Do not install or use product if it, in any way, impairs the safe operation of your vehicle.

▲ WARNING: This product can expose you to chemicals including DEHP and DINP, which are known to the State of California to cause cancer and birth defects or other reproductive harm. For more information go to www.P65Warnings.ca.gov.

WARRANTY

This PROJECT X product carries a 30 day warranty against defects in workmanship and materials subject to the conditions and additional warranty information available at:

www.projectxoffroad.com/pages/returns-warranty

DISCLAIMER OF WARRANTIES, INCLUDING WARRANTY OF MERCHANTABILITY AND WARRANTY OF FITNESS FOR PARTICULAR PURPOSE: EXCEPT AS SPECIFICALLY SET FORTH HEREIN, NO WARRANTY OR REPRESENTATION, EXPRESS OR IMPLIED, IS MADE AS TO THE LED DRIVING LIGHT. PROJECT X AND/OR ITS AFFILIATES EXPRESSLY DISCLAIMS, WITHOUT LIMITATION, ANY STATUTORY WARRANTIES AND ALL IMPLIED WARRANTIES, INCLUDING ANY IMPLIED WARRANTY OF MERCHANTABILITY OR FITNESS FOR A PARTICULAR PURPOSE.

LENS PROTECTOR INSTALLATION AND REMOVAL

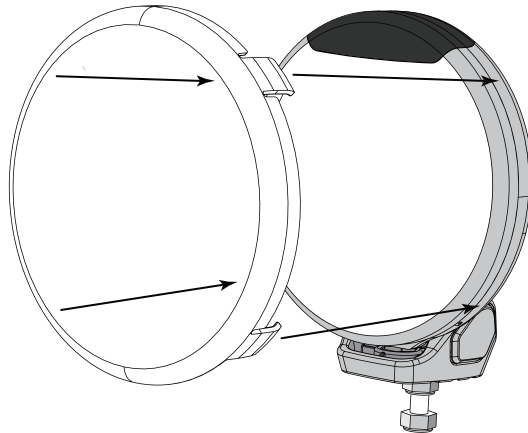
Install Lens Protector:

Place over light housing and firmly press all four side wings around the edge

Remove Lens Protector:

un-clip the side wings and pull off.

NOTE: Make sure SERIES ONE or PROJECT X logo is upright and straight.



info@projectxoffroad.com

(866) 294-9244

Mon-Sat 8am-5pm PST